

# Head ZO

Ref. C28115N00

Ref. arch 42217

- Crosswise suspension on a rod
- Single pole conductivity possible

## APPLICATION

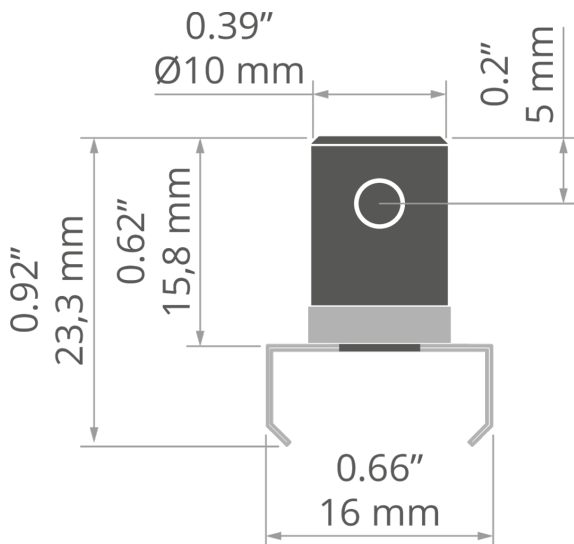
- for suspending LED lighting fixtures

## MOUNTING

- to the lighting fixture, using a mounting bracket
- to the rod with a pressure screw



## TECHNICAL DRAWING



## TECHNICAL SPECIFICATIONS

Material	stainless steel	Working temperature	57°C
Color	■ silver	Lifting capacity	5 kg
Width	10 mm	Maximum current	9 A
Height	23.3 mm	Loss of voltage	0.07 V

# Head ZO

## Ref. C28115N00

Ref. arch 42217

### RELATED PROFILES > ARCHITECTURAL



#### REGULOR

A18068  
Ref. arch B468+43

### RELATED PROFILES > UNIVERSAL



#### 45-16

A08504  
Ref. arch B8504



#### MICRO-ALU

A01888  
Ref. arch B1888



#### MICRO-PLUS

A02966  
Ref. arch C2966



#### PDS-4-PLUS

A01263  
Ref. arch C1263



#### TAMI

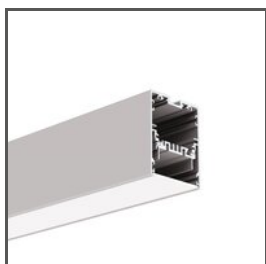
A05390  
Ref. arch B5390



#### TAPO

A01919  
Ref. arch C1919

### RELATED SYSTEMS > GENERAL LIGHTING SYSTEMS



#### MOD-50

18047

### RELATED ACCESSORIES > OTHER RELATED ACCESSORIES > SUSPENSION AND MOUNTING SETS

# Head ZO

Ref. C28115N00

Ref. arch 42217



ARM

**K5G-AB**

C28270N00

Ref. arch 42051

---

## RELATED ACCESSORIES > OTHER RELATED ACCESSORIES > WIRES AND RODS

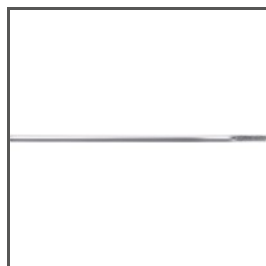


ARM

**K1G-AB**

C28104N00

Ref. arch 42115

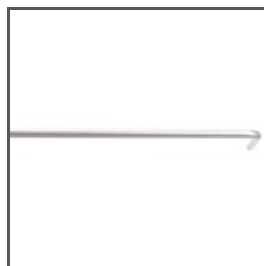


ARM

**K0G-AB**

C28100N00

Ref. arch 42102

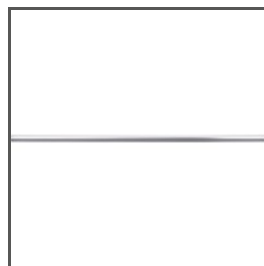


ARM

**K1-AB300**

C42201N00

Ref. arch 42201

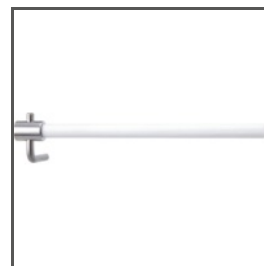


ARM

**K0-AB300**

C42202N00

Ref. arch 42202



ROD

**M5-K5 1m**

C28110N00

Ref. arch 42209