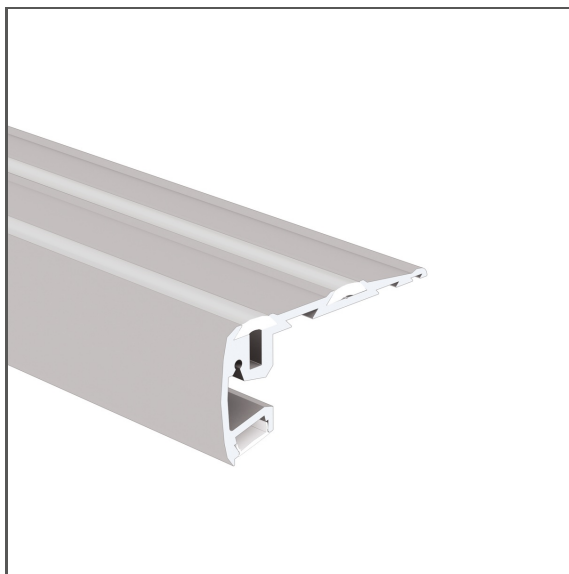


# Profile STEP

Ref. A18042



- For installation on the steps
- Non-slip elements
- Two lighting options
- High mechanical resistance

## APPLICATION

- warning lighting and anti-slip protection on the steps

## MOUNTING

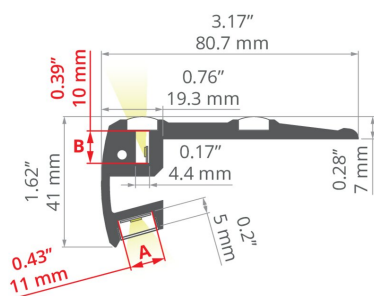
- to a step, using properly selected screws

## ADDITIONAL INFORMATION

- when choosing a different length of profiles / covers than available in the standard, you should additionally choose the cutting service at KLUŚ

## TECHNICAL DRAWING

1:2



## TECHNICAL SPECIFICATIONS

Material	aluminum
Possible fixture IP	20, 67
Possible fixture shapes	linear
Width	80.7 mm
Height	40 mm
LED gluing width A	11 mm
LED gluing width B	10 mm
Number of LED strips A (8 mm wide)	1
Width of the glow	11.2 mm
Max power of a single KLUŚ LED strip	24 W/m
Building type	Commercial, Entertainment/ Arts, HoReCa object
Facility zone	stairs / hallways, media rooms / av
The cover is cut to the length of the profile	yes
Wire out back of extrusion	yes

Color	Length	Ref
■ silver anodized	1000 mm	A18042A_1
	2005 mm	A18042A_2
	3010 mm	A18042A_3
■ black anodized	1000 mm	A18042A07_1
	2005 mm	A18042A07_2
	3010 mm	A18042A07_3

Standard lengths of KLUŚ profiles and covers: 1000 mm (tolerance ± 1.5 mm) and 2005 mm / 3010 mm (tolerance + 5 mm); for selected covers: 6050 mm, 10050 mm (tolerance + 5 mm)

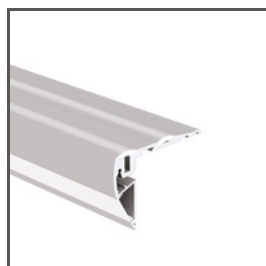
## SAMPLE PROJECTS



## SIMILAR PROFILES



**Profile STEKO-PLUS**  
A06888



**Profile STEPUS**  
A18038

## RELATED ACCESSORIES > COVERS

NAME	KEY FEATURES	MATERIAL	MATERIAL TRANSMITTANCE	COLOR	REF.
Cover LIGER-11	<ul style="list-style-type: none"> <li>- indoor use</li> <li>- Ease of obtaining a line of light</li> <li>- Perfectly diffusing</li> <li>- high light quality</li> </ul>	PC	21 %	black	B17037B
			59 %	satin	B17037S
Cover HS-11	<ul style="list-style-type: none"> <li>- For indoor and outdoor applications</li> <li>- UV resistant</li> <li>- high durability</li> </ul>	PC	59 %	frosted	B17208F
			88 %	clear	B17208C
Cover KA-11	<ul style="list-style-type: none"> <li>- maximum brightness</li> <li>- indoor use</li> <li>- basic</li> <li>- universal</li> </ul>	PC	67 %	frosted	B17064F
			89 %	clear	B17064C
Cover KA-T-11	<ul style="list-style-type: none"> <li>- maximum brightness</li> <li>- indoor use</li> <li>- economic</li> <li>- universal for basic applications</li> </ul>	PVC	54 %	frosted	B17179F
			86 %	clear	B17179C

## RELATED ACCESSORIES > END CAPS

NAME	MATERIAL	COLOR	REF.
End cap STEP-P	PP	black	C28006C07
		gray	C28006C02
End cap STEP-L	PP	black	C28007C07
		gray	C28007C02
End cap STEP-90	PP	black	C24025C07
		gray	C24025C02

## RELATED ACCESSORIES > RELATED LED > WHITE MONO

Name	Key features	IP protection rating	Power consumption	Ref.
LED tape K-0360-24 3.6 W/m, IP20 <b>NEW</b>		20	3.6 W/m	K-27-0360-24 K-30-0360-24 K-35-0360-24 K-40-0360-24 K-50-0360-24
LED tape K-0720-24 7.2 W/m, IP20 <b>NEW</b>		20	7.2 W/m	K-27-0720-24 K-30-0720-24 K-35-0720-24 K-40-0720-24 K-50-0720-24
LED tape K-1080-24 10.8 W/m, IP20 <b>NEW</b>		20	10.8 W/m	K-27-1080-24 K-30-1080-24 K-35-1080-24 K-40-1080-24 K-50-1080-24
LED tape K-HD-0430-24 4.3 W/m, IP20 <b>NEW</b>		20	4.3 W/m	K-HD27-0430-24 K-HD30-0430-24 K-HD35-0430-24 K-HD40-0430-24 K-HD50-0430-24
LED tape K-HD-0830-24 8.3 W/m, IP20 <b>NEW</b>		20	8.3 W/m	K-HD27-0830-24 K-HD30-0830-24 K-HD35-0830-24 K-HD40-0830-24 K-HD50-0830-24
LED tape K-HD-1260-24 12.6 W/m, IP20 <b>NEW</b>		20	12.6 W/m	K-HD27-1260-24 K-HD30-1260-24 K-HD35-1260-24 K-HD40-1260-24 K-HD50-1260-24
LED tape KWP-GHD-0430-24 4.3 W/m, IP65 <b>NEW</b>		65	4.3 W/m	KWP-GHD27-0430-24 KWP-GHD30-0430-24 KWP-GHD35-0430-24 KWP-GHD40-0430-24 KWP-GHD50-0430-24

Name	Key features	IP protection rating	Power consumption	Ref.
LED tape KWP-GHD-0830-24 8.3 W/m, IP65 <b>NEW</b>		65	8.3 W/m	KWP-GHD27-0830-24 KWP-GHD30-0830-24 KWP-GHD35-0830-24 KWP-GHD40-0830-24 KWP-GHD50-0830-24
LED tape K-0480-24	- universal for basic applications	20	4.8 W/m	K-27-0480-24 K-30-0480-24 K-35-0480-24 K-40-0480-24 K-50-0480-24
LED tape K-0960-24	- universal for basic applications	20	9.6 W/m	K-27-0960-24 K-30-0960-24 K-30-0960-24-R30 K-35-0960-24 K-40-0960-24 K-40-0960-24-R30 K-50-0960-24 K-65-0960-24
LED tape K-1440-24	- universal for basic applications	20	14.4 W/m	K-27-1440-24 K-30-1440-24 K-30-1440-24-R30 K-35-1440-24 K-40-1440-24 K-40-1440-24-R30 K-50-1440-24
LED tape K-HD-0480-24	- high LED density - Ease of obtaining a line of light	20	4.8 W/m	K-HD27-0480-24 K-HD30-0480-24 K-HD35-0480-24 K-HD40-0480-24 K-HD50-0480-24
LED tape K-HD-0960-24	- high LED density - Ease of obtaining a line of light	20	9.6 W/m	K-HD27-0960-24 K-HD30-0960-24 K-HD35-0960-24 K-HD40-0960-24 K-HD50-0960-24
LED tape K-HD-1440-24	- high LED density - Ease of obtaining a line of light	20	14.4 W/m	K-HD27-1440-24 K-HD30-1440-24 K-HD35-1440-24 K-HD40-1440-24 K-HD50-1440-24
LED tape KWP-1440-24	- universal for basic applications	65	14.4 W/m	KWP-27-1440-24 KWP-30-1440-24 KWP-35-1440-24 KWP-40-1440-24 KWP-50-1440-24
LED tape KWP-0480-24	- universal for basic applications	65	4.8 W/m	KWP-27-0480-24 KWP-30-0480-24 KWP-35-0480-24 KWP-40-0480-24 KWP-50-0480-24
LED tape KWP-0960-24	- universal for basic applications	65	9.6 W/m	KWP-27-0960-24 KWP-30-0960-24 KWP-35-0960-24 KWP-40-0960-24 KWP-50-0960-24 KWP-65-0960-24
LED tape KWP-GHD-0480-24	- high LED density - Ease of obtaining a line of light	65	4.8 W/m	KWP-GHD27-0480-24 KWP-GHD30-0480-24 KWP-GHD35-0480-24 KWP-GHD40-0480-24 KWP-GHD50-0480-24

Name	Key features	IP protection rating	Power consumption	Ref.
LED tape KWP-GHD-1260-24 12.6 W/m, IP65		65	12.6 W/m	KWP-GHD27-1260-24 KWP-GHD30-1260-24 KWP-GHD35-1260-24 KWP-GHD40-1260-24 KWP-GHD50-1260-24

## RELATED ACCESSORIES > RELATED LED > HIGH EFFICACY

Name	Key features	IP protection rating	Power consumption	Ref.
LED tape K-VHE-0480-24	- universal for basic applications - high efficacy - High Efficacy	20	4.8 W/m	K-VHE27-0480-24 K-VHE30-0480-24 K-VHE35-0480-24 K-VHE40-0480-24 K-VHE50-0480-24
LED tape K-VHE-0960-24	- universal for basic applications - high efficacy - High Efficacy	20	9.6 W/m	K-VHE27-0960-24 K-VHE30-0960-24 K-VHE35-0960-24 K-VHE40-0960-24 K-VHE50-0960-24
LED tape K-VHE-1440-24	- universal for basic applications - high efficacy - High Efficacy	20	14.4 W/m	K-VHE27-1440-24 K-VHE30-1440-24 K-VHE35-1440-24 K-VHE40-1440-24 K-VHE50-1440-24

## RELATED ACCESSORIES > RELATED LED > ADJUSTABLE WHITE / DIM TO WARM

Name	Key features	IP protection rating	Power consumption	Ref.
LED tape K-18D30-0960-24	- Dim To Warm LED Tape	20	9.6 W/m	K-18D30-0960-24
LED tape K-27T50-1440-24	- RGB+Tunable White	20	14.4 W/m	K-27T50-1440-24

## RELATED ACCESSORIES > RELATED LED > DIGITAL

Name	Key features	IP protection rating	Power consumption	Ref.
Digital LED strip K-DL-1229-24	- Digital tape	20	12.29 W/m	K-DL30-1229-24 K-DL40-1229-24
Digital LED strip KWP-GDL-1229-24	- Digital tape	65	12.29 W/m	KWP-GDL30-1229-24 KWP-GDL40-1229-24

## RELATED ACCESSORIES > RELATED LED > RGB / RGB-W / RGB-CCT

Name	Key features	IP protection rating	Power consumption	Ref.
LED tape K-RGB-1200-24	- RGB	20	12 W/m	K-RGB-1200-24
LED tape KWP-RGB-1200-24	- RGB	65	12 W/m	KWP-RGB-1200-24

## RELATED ACCESSORIES > RELATED LED

Name	IP protection rating	Power consumption	Ref.
LED tape K-RGB27T50-1200-24, 2700K, 420 lm/m, 12 W/m, IP20	20	12 W/m	K-RGB27T50-1200-24

## RELATED ACCESSORIES > RELATED LED > SIDE EMITTING

Name	Key features	IP protection rating	Power consumption	Ref.
LED tape K-SE-0480-24	- Side emitting	20	4.8 W/m	K-SE27-0480-24 K-SE30-0480-24 K-SE35-0480-24 K-SE40-0480-24 K-SE50-0480-24

## RELATED ACCESSORIES > OTHER RELATED ACCESSORIES > OTHER

Name	Key features	Material	Color	Ref.
Gland 6,4x3		rubber		C42264C07
Hermetic coupler THB.391.A4A, 4 pin	- 4 power terminals - compact dimensions	PA		C42268C10
Hermetic coupler THB.381, 2pin	- 2 power terminals - compact dimensions	PA		C28125C07
Hermetic coupler THB.391.A5A, 5 pin	- 5 power terminals - compact dimensions	PA		C28156C07
Joint connector THB.200.E5E, 5 pin	- 5 power terminals - 3-line branch	Material, Material, multiselect		C28157C07



## RELATED ACCESSORIES > OTHER RELATED ACCESSORIES

Name	Material	Color	Ref.
Anti-slip rubber strip 14	silicon	 transparent	C24537C00_1 C24537C00_2 C24537C00_3

## RELATED ACCESSORIES > OTHER RELATED ACCESSORIES > ADDITIONAL ITEMS

Name	Material	Color	Ref.
Tool	metal	red	C28063

## RELATED ACCESSORIES > ELECTRONICS > SWITCHES

Name	Key features	IP protection rating	Ref.
Proximity switch UNI-11 	- touchless switch - width 11mm	20	E61603
Proximity switch UNI-11P 	- touchless switch - width 11mm - factory pre-soldered wires	20	E61604
Proximity switch UNI-P	- touchless switch - width only 7mm - factory pre-soldered wires	20	E61580
Proximity switch UNI	- touchless switch - width only 7mm	20	E61579