

Fastener PLD-10-WL

Ref. C28177N00

Ref. arch 42293



- Lengthwise suspension on a wire
- Continuous lighting angle adjustment
- Minimum dimensions

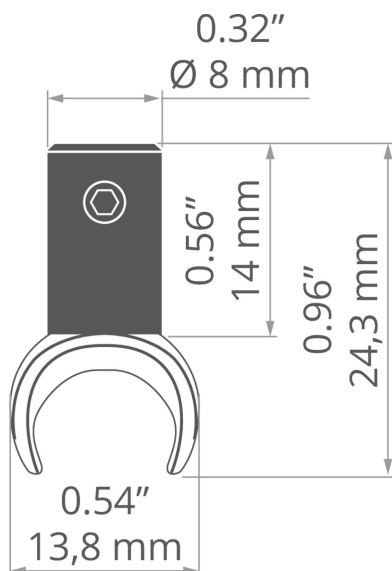
APPLICATION

- for suspending LED lighting fixtures

MOUNTING

- to the lighting fixture, using a mounting bracket
- to the wire with a pressure screw
- easy installation and deinstallation of lighting fixtures by snapping in and out

TECHNICAL DRAWING



TECHNICAL SPECIFICATIONS

Material	stainless steel, PC
Color	■ silver
Width	0.54"

Height	0.96"
Lifting capacity	13.2 lb

Fastener PLD-10-WL

Ref. C28177N00

Ref. arch 42293

KLUŚ Inspiring
Solutions

SAMPLE PROJECTS



RELATED PROFILES > MINIMALISTIC



PIKO-O

A01167

Ref. arch C1167

RELATED ACCESSORIES > OTHER ACCESSORIES > WIRES AND RODS



WIRE

0,5 mm

Z70499

Ref. arch 70499