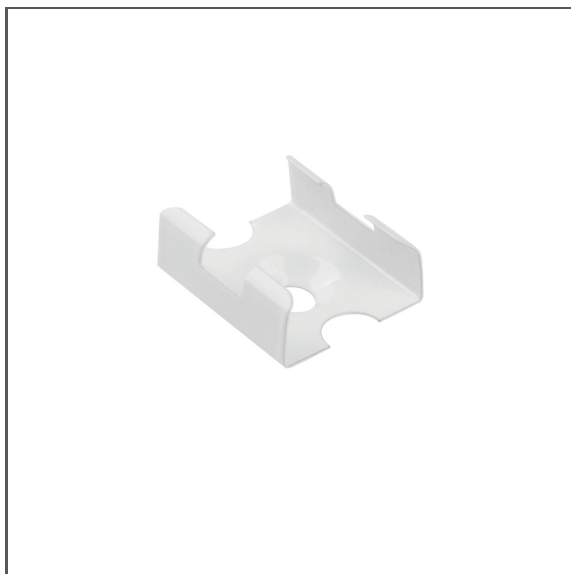


Mounting bracket PDS

Ref. C24223C10, C24189C07



- High mechanical resistance

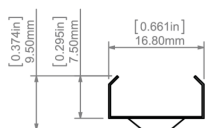
APPLICATION

- for mounting LED lighting fixtures

MOUNTING

- to the surface, using a properly selected screw
- to the lighting fixture, with hooks
- easy installation and deinstallation of lighting fixtures by snapping in and out

TECHNICAL DRAWING



TECHNICAL SPECIFICATIONS

Material	stainless steel
Width	0.7"
Height	0.4"
Lifting capacity	11 lb

Color	Ref
<input type="checkbox"/> white	C24223C10
<input checked="" type="checkbox"/> black	C24189C07

Mounting bracket PDS

Ref. C24223C10, C24189C07

SAMPLE PROJECTS



RELATED PROFILES > ARCHITECTURAL



REGULOR
A18068

RELATED PROFILES > UNIVERSAL



45-16
A08504



MICRO-PLUS
A02966



PDS-4-PLUS
A01263



TAMI
A05390



TAPO
A01919

RELATED ACCESSORIES > OTHER ACCESSORIES > ADDITIONAL ITEMS



ADAPTERS SET
ZM-16
C29001C00