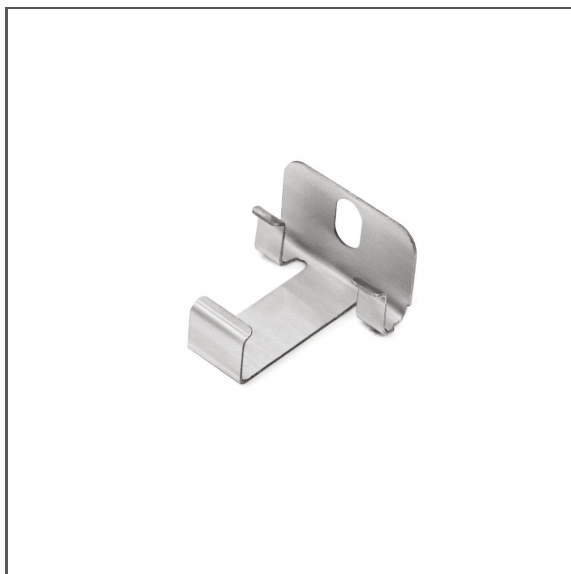


Mounting bracket PDS-STN-90D

Ref. C24367N00, C24367L07, C24367L10

Ref. arch 24367, 24367RAL9005, 24367RAL9010



- Lighting direction of the fixture parallel to the surface
- The position can be corrected after screwing into place
- High mechanical and weather resistance

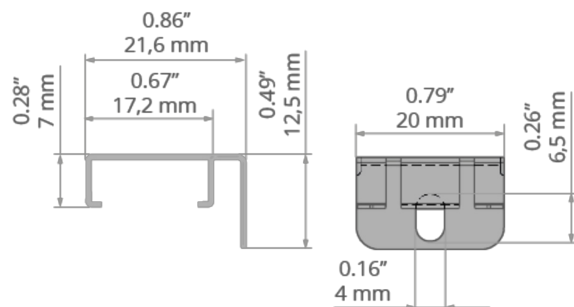
APPLICATION

- for mounting LED lighting fixtures

MOUNTING

- to the surface, using properly selected screws
- to the lighting fixture, with hooks
- easy installation and deinstallation of lighting fixtures by snapping in and out

TECHNICAL DRAWING

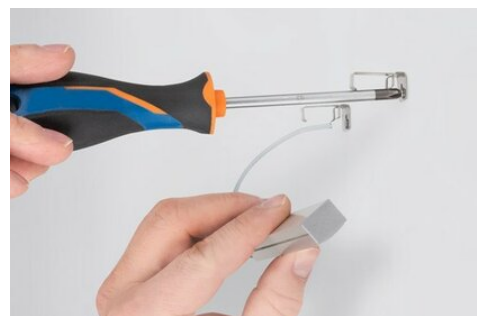


TECHNICAL SPECIFICATIONS

Material	stainless steel
Width	0.79"
Height	0.49"
Corrosion resistance	yes
Lifting capacity	16.5 lb

Color	Ref
■ silver	C24367N00 24367
■ black	C24367L07 24367RAL9005
□ white	C24367L10 24367RAL9010

SAMPLE PROJECTS



Mounting bracket PDS-STN-90D

Ref. C24367N00, C24367L07, C24367L10

Ref. arch 24367, 24367RAL9005, 24367RAL9010

RELATED PROFILES > ARCHITECTURAL



REGULATOR

A18068

Ref. arch B468+43

RELATED PROFILES > UNIVERSAL



45-16

A08504

Ref. arch B8504



MICRO-PLUS

A02966

Ref. arch C2966



PDS-4-PLUS

A01263

Ref. arch C1263



TAMI

A05390

Ref. arch B5390



TAPO

A01919

Ref. arch C1919