

Electricity conductive end cap OLEK

Ref. C28212C02

Ref. arch 42619



- Single pole conductivity possible
- Transverse suspension on a rod or cable
- Possibility to rotate the fixture after installation

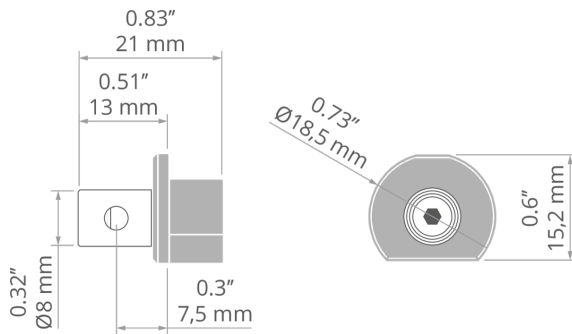
APPLICATION

- aesthetic finish and protection of the interior of the lighting fixture

MOUNTING

- to the extrusion, by pressing
- to a rod or cable, using a set bolt

TECHNICAL DRAWING



TECHNICAL SPECIFICATIONS

Material	ABS	Loss of voltage	0.1 V
Color	■ gray	Working temperature	131°F
Shape	semicircular	Lifting capacity	12.1 lb
Height	0.59"	Lighting angle adjustment up to	360°
Width	0.83"	Conducting electricity	yes
Maximum current	3.5 A		

Electricity conductive end cap OLEK

Ref. C28212C02

Ref. arch 42619

RELATED PROFILES > UNIVERSAL

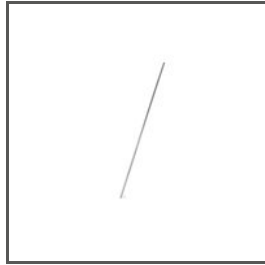


OLEK
A08505
Ref. arch B8505

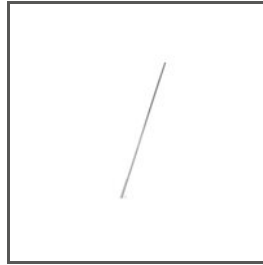
RELATED ACCESSORIES > OTHER ACCESSORIES > WIRES AND RODS



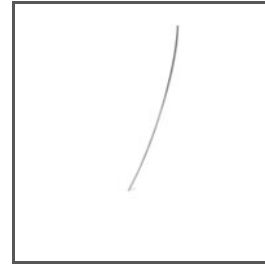
LINKA STALOWA
FI-1 1m
C24522N00
Ref. arch 1397



ROD
FI-3 1m
42501



ROD
100 PUSZ 1 m
42518



ROD
FI-3 53 cm
C24528N00
Ref. arch 1528



WIRE
CU FI 0,95 mm
Z70240
Ref. arch 70240



ROD
FI-3-ALU
C28196A01, C28196A07
Ref. arch 42526, 42527, 42528, 42529