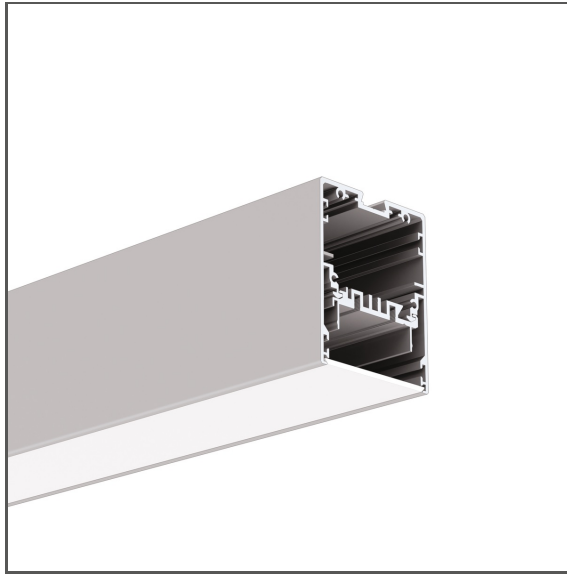


Profile MOD-50

Ref. A18047



- Installation from below, wall to wall
- Up/down lighting
- Compartment for driver and electrical components
- Easy maintenance
- Possibility to use current modules with efficiency up to 190lm/W and CRI>90. Available upon request.
- Possibility to obtain UGR < 19

APPLICATION

- main and decorative lighting

MOUNTING

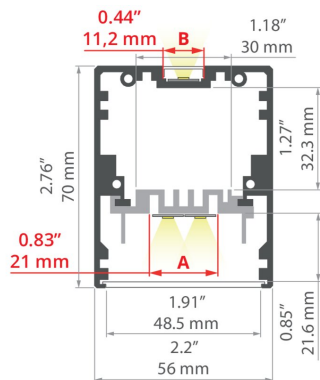
- suspended, using dedicated accessories

ADDITIONAL INFORMATION

- the luminous efficiency can be increased by 20% with the use of REFLEX 16-60 reflectors
- both LED strips and LED current modules can be used
- safety due to high vibration resistance
- when choosing a different length of profiles / covers than available in the standard, you should additionally choose the cutting service at KLUŚ
- NCS Premium paint option - minimum order quantity 30pcs - available on order within 14 days

TECHNICAL DRAWING

1:2



TECHNICAL SPECIFICATIONS

Material	aluminum
Possible fixture IP	20
Possible fixture shapes	linear, polygonal
Profile cross-section	rectangular
Width	56 mm
Height	70 mm
LED gluing width A	21 mm
LED gluing width B	11.2 mm
Number of LED strips A (8 mm wide)	1
Width of the glow	49.45 mm
Max power of a single KLUŚ LED strip	24 W/m
Dedicated space for power supply	yes
Possibility of obtaining a line of light	yes
Building type	Commercial, Retail, Entertainment/ Arts, HoReCa object
Facility zone	office, lobby / foyer
The cover is cut to the length of the profile	yes

Color	Length	Ref
■ silver anodized	1000 mm	A18047A_1
	2005 mm	A18047A_2
	3010 mm	A18047A_3
□ white lacquered	1000 mm	A18047L10OD_1
	2005 mm	A18047L10OD_2
■ black anodized	1000 mm	A18047A07_1
	2005 mm	A18047A07_2
	3010 mm	A18047A07_3
■ caramel (NCSS3030-Y60R) lacquered	2005 mm	A18047L14OD_2
■ sand (NCSS2010-Y30R) lacquered	2005 mm	A18047L11OD_2
■ pastel blue (NCSS2010-B) lacquered	2005 mm	A18047L13OD_2
■ light sage (NCSS2010-G50Y) lacquered	2005 mm	A18047L12OD_2

Standard lengths of KLUŚ profiles and covers: 1000 mm (tolerance ± 1.5 mm) and 2005 mm / 3010 mm (tolerance + 5 mm); for selected covers: 6050 mm, 10050 mm (tolerance + 5 mm)

Can be easily connected into runs	yes
Wire out back of extrusion	yes
Two directional lighting for suspended fixtures	yes

LINE OF LIGHT TABLE

LED tape	HSP-49 frosted
K-2400-24	✓ (2)
K-RGB-1200-24	✓ (2)

Description

✓ - Line of Light for a number (X) of rows - Pixel free imaging

X - Visible Dotting from Diodes

HL - Centered Line of Light - Concentrated in middle

HL (X) - Centered Line of Light for a number (X) of rows - Concentrated in middle

Line of Light Guide



Clean Line of Light (Pixel free imaging)

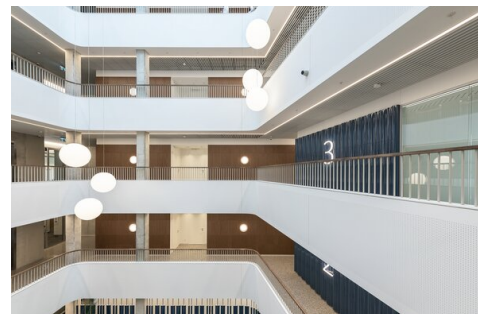


Centered Line of Light








Visible Dotting from Diodes

SAMPLE PROJECTS



RELATED ACCESSORIES > COVERS

NAME	KEY FEATURES	MATERIAL	MATERIAL TRANSMITTANCE	COLOR	REF.
Cover HS-11	 - For indoor and outdoor applications - UV resistant - high durability	PC	59 %	frosted	B17208F
			88 %	clear	B17208C
Cover KA-11	 - maximum brightness - indoor use - basic - universal	PC	67 %	frosted	B17064F
			89 %	clear	B17064C
Cover LIGER-11	 - indoor use - Ease of obtaining a line of light - Perfectly diffusing - high light quality	PC	21 %	black	B17037B
			59 %	satın	B17037S
Cover HSP-49	 - Ease of obtaining a wide line of light - indoor use	PC	70 %	frosted	B17058F
			82 %	microprism	B17058M
Cover KA-T-11	 - maximum brightness - indoor use - economic - universal for basic applications	PVC	54 %	frosted	B17179F
			86 %	clear	B17179C

RELATED ACCESSORIES > RELATED LED > WHITE MONO

Name	Key features	IP protection rating	Power consumption	Ref.
LED tape K-2300-24	- high power	20	23 W/m	K-30-2300-24 K-40-2300-24
LED tape K-0480-24	- universal for basic applications	20	4.8 W/m	K-27-0480-24 K-30-0480-24 K-35-0480-24 K-40-0480-24 K-50-0480-24
LED tape K-0960-24	- universal for basic applications	20	9.6 W/m	K-27-0960-24 K-30-0960-24 K-30-0960-24-R30 K-35-0960-24 K-40-0960-24 K-40-0960-24-R30 K-50-0960-24 K-65-0960-24
LED tape K-1440-24	- universal for basic applications	20	14.4 W/m	K-27-1440-24 K-30-1440-24 K-30-1440-24-R30 K-35-1440-24 K-40-1440-24 K-40-1440-24-R30 K-50-1440-24
LED tape K-2400-24	- high power	20	24 W/m	K-27-2400-24 K-30-2400-24 K-35-2400-24 K-40-2400-24 K-50-2400-24

Profile MOD-50

Ref. A18047

Name	Key features	IP protection rating	Power consumption	Ref.
LED tape K-HD-0480-24	- high LED density - Ease of obtaining a line of light	20	4.8 W/m	K-HD27-0480-24 K-HD30-0480-24 K-HD35-0480-24 K-HD40-0480-24 K-HD50-0480-24
LED tape K-HD-0960-24	- high LED density - Ease of obtaining a line of light	20	9.6 W/m	K-HD27-0960-24 K-HD30-0960-24 K-HD35-0960-24 K-HD40-0960-24 K-HD50-0960-24
LED tape K-HD-1440-24	- high LED density - Ease of obtaining a line of light	20	14.4 W/m	K-HD27-1440-24 K-HD30-1440-24 K-HD35-1440-24 K-HD40-1440-24 K-HD50-1440-24
LED tape K2-1920-24	- LED double-row strip - quick installation	20	19.2 W/m	K2-27-1920-24 K2-30-1920-24 K2-35-1920-24 K2-40-1920-24 K2-50-1920-24
LED tape K3-2880-24	- Three-row LED strip - quick installation	20	28.8 W/m	K3-27-2880-24 K3-30-2880-24 K3-35-2880-24 K3-40-2880-24 K3-50-2880-24
LED tape K-2300-24	- high power	20	23 W/m	K-30-2300-24 K-40-2300-24

RELATED ACCESSORIES > RELATED LED > CRI 95+

Name	Key features	IP protection rating	Power consumption	Ref.
LED tape K-CR-0480-24	- universal for basic applications - CRI over 95	20	4.8 W/m	K-CR27-0480-24 K-CR30-0480-24 K-CR35-0480-24 K-CR40-0480-24 K-CR50-0480-24
LED tape K-CR-0960-24	- universal for basic applications - CRI over 95	20	9.6 W/m	K-CR27-0960-24 K-CR30-0960-24 K-CR35-0960-24 K-CR40-0960-24 K-CR50-0960-24
LED tape K-CR-1440-24	- universal for basic applications - CRI over 95	20	14.4 W/m	K-CR27-1440-24 K-CR30-1440-24 K-CR35-1440-24 K-CR40-1440-24 K-CR50-1440-24

RELATED ACCESSORIES > RELATED LED > HIGH EFFICACY

Name	Key features	IP protection rating	Power consumption	Ref.
LED tape K-VHE-0480-24	- universal for basic applications - high efficacy - High Efficacy	20	4.8 W/m	K-VHE27-0480-24 K-VHE30-0480-24 K-VHE35-0480-24 K-VHE40-0480-24 K-VHE50-0480-24
LED tape K-VHE-0960-24	- universal for basic applications - high efficacy - High Efficacy	20	9.6 W/m	K-VHE27-0960-24 K-VHE30-0960-24 K-VHE35-0960-24 K-VHE40-0960-24 K-VHE50-0960-24

Name	Key features	IP protection rating	Power consumption	Ref.
LED tape K-VHE-1440-24	- universal for basic applications - high efficacy - High Efficacy	20	14.4 W/m	K-VHE27-1440-24 K-VHE30-1440-24 K-VHE35-1440-24 K-VHE40-1440-24 K-VHE50-1440-24

RELATED ACCESSORIES > RELATED LED > RGB / RGB-W / RGB-CCT

Name	Key features	IP protection rating	Power consumption	Ref.
LED tape K-RGB-1200-24	- RGB	20	12 W/m	K-RGB-1200-24

RELATED ACCESSORIES > RELATED LED > ADJUSTABLE WHITE / DIM TO WARM

Name	Key features	IP protection rating	Power consumption	Ref.
LED tape K-27T50-1440-24	- RGB+Tunable White	20	14.4 W/m	K-27T50-1440-24
LED tape K-18D30-0960-24	- Dim To Warm LED Tape	20	9.6 W/m	K-18D30-0960-24

RELATED ACCESSORIES > OTHER RELATED ACCESSORIES > OTHER

Name	Material	Ref.
Gland M8x1	brass	C42265N00
Gland M10x1	mosiądz niklowany	C28275N00

RELATED ACCESSORIES > OTHER RELATED ACCESSORIES > TECHNICAL AND PROTECTIVE INSERTS

Name	Material	Color	Ref.
Reflector REFLEX 16-60	PC	<input type="checkbox"/> white	C24536C10_1 C24536C10_2 C24536C10_3

RELATED ACCESSORIES > OTHER RELATED ACCESSORIES > FASTENERS AND HEADS FOR PROFILES

Name	Key features	Material	Color	Ref.
Fastener M4-12	- Cable length adjustment	stainless steel, brass, nylon	<input type="checkbox"/> silver chrome <input type="checkbox"/> white lacquered <input type="checkbox"/> black lacquered	C28118N00 C28118C10 C28118C07

RELATED ACCESSORIES > OTHER RELATED ACCESSORIES > SUSPENSION AND MOUNTING SETS

Name	Key features	Material	Color	Ref.
Fastener set RG-1	- Cable adjustment at the ceiling, cable included	brass	<input type="checkbox"/> silver glossy <input type="checkbox"/> silver satin <input type="checkbox"/> white colored <input type="checkbox"/> black colored	C28230P00 C28230P01 C28230L10 C28230L07

RELATED ACCESSORIES > OTHER RELATED ACCESSORIES > ADDITIONAL ITEMS

Name	Material	Color	Ref.
------	----------	-------	------

Name	Material	Color	Ref.
screw 2.9X6.5 DIN7981F	steel	■ silver	Z70283

RELATED ACCESSORIES > OTHER RELATED ACCESSORIES > CANOPIES

Name	Key features	Material	Color	Ref.
Canopy BOX-M70 NEW		aluminum	■ silver anodized □ white lacquered ■ black anodized	C24541A C24541L10 C24541A07
Canopy Fi-60mm	- Convenient cable length adjustment, in the ZM system	steel	■ gray lacquered □ white lacquered ■ black lacquered	C24540L01 C24540L10 C24540L07

RELATED ACCESSORIES > OTHER RELATED ACCESSORIES > CONNECTORS

Name	Material	Color	Ref.
Connector ZM	stainless steel	■ silver	42716
			42717
			42720
			42728
			C28070N00
			C28071N00
			C28072N00
			C28073N00
			C28074N00
			C28075N00
C28243N00			
Connector ZM-PION	stainless steel	■ silver	42314
			42316
			42320
			42718
			42719
			C28084N00
			C28085N00
			C28086N00
			C28087N00
			C28088N00

RELATED ACCESSORIES > ELECTRONICS > CASAMBI CONTROL SYSTEM

Name	IP protection rating	Ref.
Controller LED Casambi CBU-PWM4	20	E62148

RELATED ACCESSORIES > ELECTRONICS > CONTROLLERS

Name	IP protection rating	Ref.
Controller LED MONO, Wlightboxes 120W IP20	20	E60228

RELATED ACCESSORIES > ELECTRONICS > SWITCHES

Name	Key features	IP protection rating	Ref.
Proximity switch UNI-11 NEW	- touchless switch - width 11mm	20	E61603

Name	Key features	IP protection rating	Ref.
Proximity switch UNI-11P NEW	<ul style="list-style-type: none">- touchless switch- width 11mm- factory pre-soldered wires	20	E61604
Proximity switch UNI-P	<ul style="list-style-type: none">- touchless switch- width only 7mm- factory pre-soldered wires	20	E61580
Proximity switch UNI	<ul style="list-style-type: none">- touchless switch- width only 7mm	20	E61579