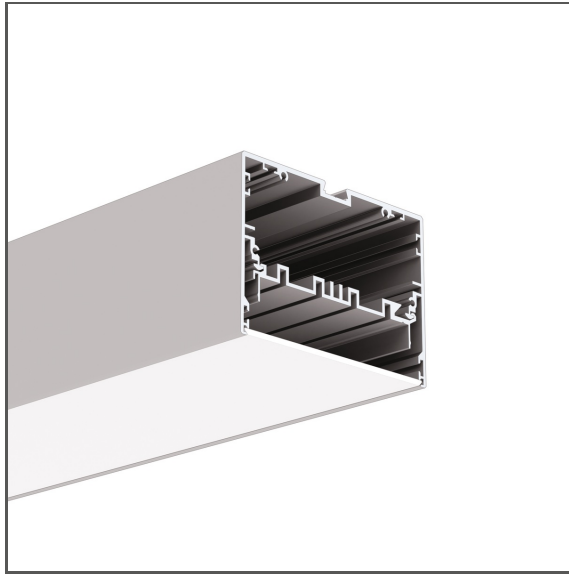


MOD-100 Extrusion

Ref. A18049



- Installation from below, wall to wall
- High lumen output
- Up/down lighting
- Easy maintenance
- Possibility to use current modules with efficiency up to 190lm/W and CRI>90. Available upon request.
- Possibility to obtain UGR < 19

APPLICATION

- main and decorative lighting

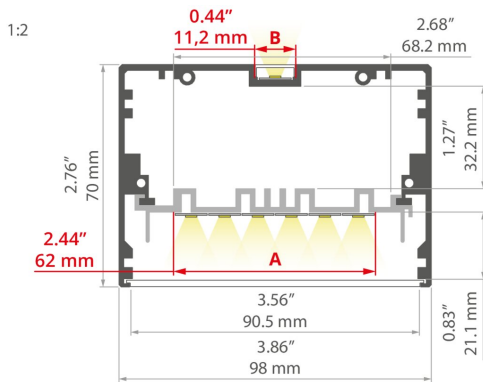
MOUNTING

- suspended, using dedicated accessories
- the cover is cut to the length of the lighting fixture

ADDITIONAL INFORMATION

- the luminous efficiency can be increased by 20% with the use of REFLEX 16-60 reflectors
- both LED strips and LED current modules can be used
- safety due to high vibration resistance
- when choosing a different length of profiles / covers than available in the standard, you should additionally choose the cutting service at KLUŠ
- NCS Premium paint option - minimum order quantity 30pcs - available on order within 14 days

TECHNICAL DRAWING



TECHNICAL SPECIFICATIONS

Material	aluminum
Color	■ silver anodized
Possible fixture IP	20
Possible fixture shapes	linear, polygonal
Profile cross-section	rectangular
Width	3.9"
Height	2.8"
LED gluing width A	2.4"
LED gluing width B	0.4"
Number of LED strips A (0.31" wide)	1
Width of the glow	91.45 mm
Max power of a single KLUŠ LED strip	7.3 W/ft
Dedicated space for power supply	yes
Possibility of obtaining a line of light	yes
Building type	Commercial, Retail, Entertainment/ Arts, Hotel / Restaurant
Facility zone	office, lobby / foyer

Length	Ref
39.4"	A18049A_1
78.9"	A18049A_2

MOD-100 Extrusion

Ref. A18049

The cover is cut to the length of the profile	yes
Can be easily connected into runs	yes
Wire out back of extrusion	yes
Two directional lighting for suspended fixtures	yes

LINE OF LIGHT TABLE

LED tape	HSP-90 frosted
K-2400-24	✓ (6)
K-CR-1220-24	✓ (6)
K-CR-1275-24	✓ (6)
K-CRHD-1820-24	✓ (6)
K-CRHD-1910-24	✓ (6)
K-HEHD-0480-24	✓ (6)
K-HEHD-0960-24	✓ (6)
K-HEHD-1440-24	✓ (6)
K-HEHD-1920-24	✓ (6)
K-HEHD-0320-24	✓ (6)
K-CRHD-0530-24	✓ (6)
K-30/18-1770-010V-24V	✓ (6)
KWP-30/18-1770-010-24	✓ (6)
K-HEHD-1440-24-40C	✓ (6)

Description

✓ - Line of Light for a number (X) of rows - Pixel free imaging

X - Visible Dotting from Diodes

HL - Centered Line of Light - Concentrated in middle

HL (X) - Centered Line of Light for a number (X) of rows - Concentrated in middle

Line of Light Guide



Clean Line of Light (Pixel free imaging)

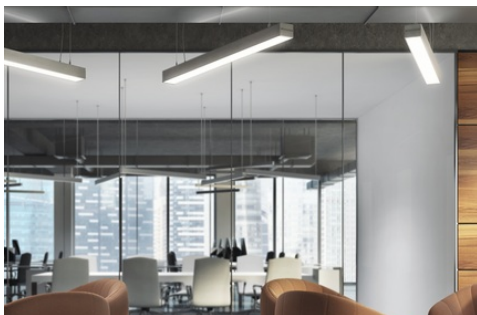


Centered Line of Light



Visible Dotting from Diodes

SAMPLE PROJECTS







PROFILE PODOBNE > TRIMLESS




OMODO-100
A18058

RELATED ACCESSORIES > COVERS

NAME	MATERIAL	MATERIAL TRANSMITTANCE	COLOR	REF.
HS-11 Cover		59 %	frosted	B17208F
		88 %	clear	B17208C
KA-11 Cover		67 %	frosted	B17064F
		89 %	clear	B17064C
LIGER-11 Cover		21 %	black	B17037B
		59 %	satın	B17037S
HSP-90 Cover		68 %	frosted	B17166F

RELATED ACCESSORIES > END CAPS

NAME	MATERIAL	COLOR	REF.
End cap MOD-100	ABS	 gray	24334

RELATED ACCESSORIES > RELATED LED > HIGH EFFICACY

Name	Stopień ochrony IP	Moc	Ref.
LED tape K-HEHD-0480-24	20	1.5 W/ft	K-HEHD-0480-24
LED tape K-HEHD-0960-24	20	2.9 W/ft	K-HEHD-0960-24
LED tape K-HEHD-1440-24	20	4.4 W/ft	K-HEHD-1440-24

Name	Stopień ochrony IP	Moc	Ref.
LED tape K-HEHD-1920-24	20	5.9 W/ft	K-HEHD-1920-24
LED tape K-HEHD-0320-24	20	1 W/ft	K-HEHD-0320-24

RELATED ACCESSORIES > RELATED LED > CRI 95+

Name	Stopień ochrony IP	Moc	Ref.
LED tape K-CR-1210-24	20	1.5 W/ft	K-CR-1210-24
LED tape K-CR-1220-24	20	2.9 W/ft	K-CR-1220-24
LED tape K-CR-1275-24	20	4.4 W/ft	K-CR-1275-24
LED tape K-CRHD-1820-24	20	5.6 W/ft	K-CRHD-1820-24
LED tape K-CRHD-1910-24	20	2.8 W/ft	K-CRHD-1910-24
LED tape K-HEHD-1440-24-40C	20	4.4 W/ft	K-HEHD-1440-24-40C
LED tape K-CRHD-0530-24	20	1.6 W/ft	K-CRHD-0530-24

RELATED ACCESSORIES > RELATED LED > CRI 90+

Name	Stopień ochrony IP	Moc	Ref.
LED tape K-2400-24	20	7.3 W/ft	K-2400-24


RELATED ACCESSORIES > RELATED LED > ADJUSTABLE WHITE / DIM TO WARM

Name	Stopień ochrony IP	Moc	Ref.
LED tape KWP-30/18-1770-010-24	65	3.5 W/ft	KWP-30/18-1770-010-24
LED tape K-30/18-1770-010V-24V	20	3.5 W/ft	K-30/18-1770-010V-24V
LED tape KWP-G30/18-1770-010-24	65	3.5 W/ft	KWP-G30/18-1770-010-24



RELATED ACCESSORIES > OTHER ACCESSORIES > ADDITIONAL ITEMS

Name	Materiał	Ref.
Gland M8x1	brass	C42265N00
Reflector REFLEX 16-60	PC	C24536

RELATED ACCESSORIES > OTHER ACCESSORIES > FASTENERS AND HEADS FOR EXTRUSIONS

Name	Materiał	Kolor	Ref.
Fastener M4-12	stainless steel, brass, nylon	 silver	C28118

RELATED ACCESSORIES > OTHER ACCESSORIES > CONNECTORS

Name	Materiał	Kolor	Ref.
Connector ZM	stainless steel	 silver	
Connector ZM-PION	stainless steel	 silver	

RELATED ACCESSORIES > OTHER ACCESSORIES > SUSPENSION AND MOUNTING SETS

Name	Materiał	Kolor	Ref.
Fastener set RG-1	brass		C28230

RELATED ACCESSORIES > ELECTRONICS > CANOPIES

Name	Stopień ochrony IP	Ref.
Canopy Fi-60mm	20	C24540

RELATED ACCESSORIES > ELECTRONICS > CONTROLLERS

Name	Stopień ochrony IP	Ref.
Controller LED MONO, Wlightboxs	20	E60228
Controller LED Casambi CBU-PWM4	20	E62148

RELATED ACCESSORIES > ELECTRONICS > SWITCHES

Name	Stopień ochrony IP	Ref.
Proximity switch UNI	20	E61579