

Fastener LIN

Ref. C28178N00

Ref. arch 42294

- Lengthwise suspension on a wire
- Installation on any type of surface
- Minimum dimensions

APPLICATION

- for suspending LED lighting fixtures

MOUNTING

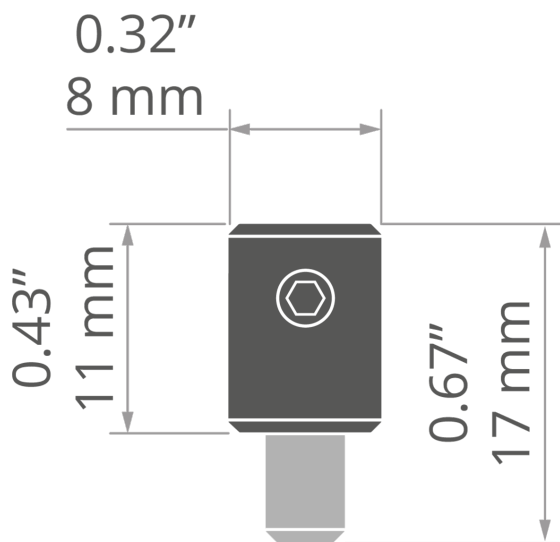
- to the fixture or to the surface, screwed with a screwdriver
- can be screwed e.g. to drywall, aluminum, wood, fiberboard or plastics
- the lighting fixture can be suspended by the cover

ADDITIONAL INFORMATION

- in plastic or wooden surfaces, drill a fi-3 hole, in aluminum surfaces a fi-3,5 hole



TECHNICAL DRAWING



TECHNICAL SPECIFICATIONS

Material	stainless steel
Color	■ silver
Width	0.31"

Height	0.67"
Lifting capacity	44 lb

Fastener LIN

Ref. C28178N00

Ref. arch 42294

SAMPLE PROJECTS



RELATED PROFILES > ARCHITECTURAL



JAZ-DUO
A00788
Ref. arch C0788

RELATED ACCESSORIES > OTHER ACCESSORIES > ARCHITECTURAL



PROFILE
JAZ-DUO
A00788
Ref. arch C0788