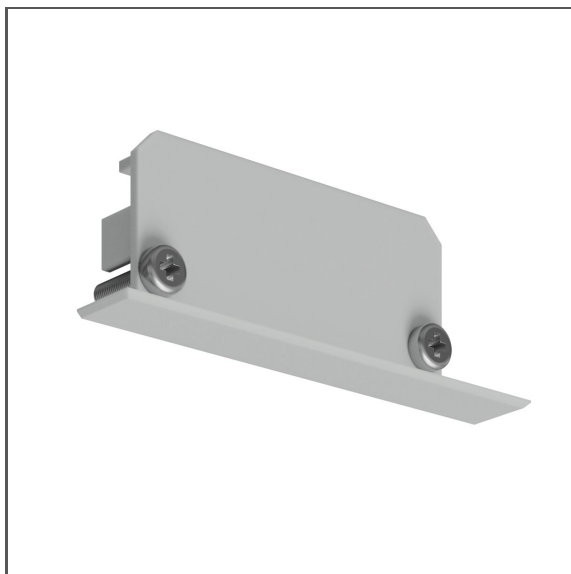


End cap LARKO-50

Ref. C28014



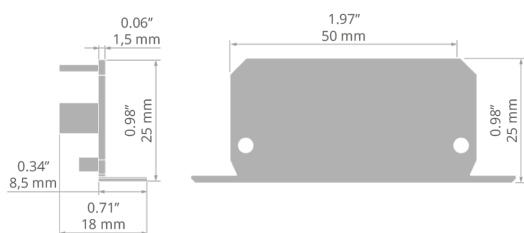
APPLICATION

- aesthetic finish and protection of the interior of the lighting fixture

MOUNTING

- to the extrusion, using bolts (included)

TECHNICAL DRAWING

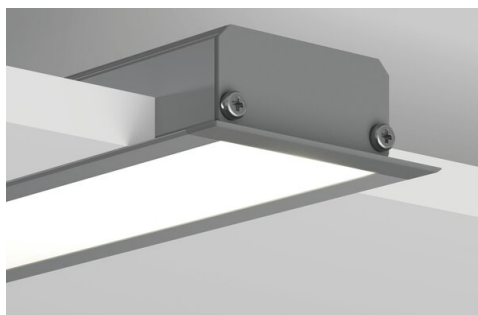


TECHNICAL SPECIFICATIONS

Material	PP
Shape	rectangular
Height	1"
Width	2.6"

Color	Ref
■ gray	C28014C02
■ black	C28014C07
□ white	C28014C10

SAMPLE PROJECTS



End cap LARKO-50

Ref. C28014

RELATED PROFILES > FOR MAIN LIGHTING



LARKO-50
A00756