

# Fastener K-10-WP

Ref. C28236N00

Ref. arch 42671

- Lengthwise suspension on a rod
- Minimum dimensions

## APPLICATION

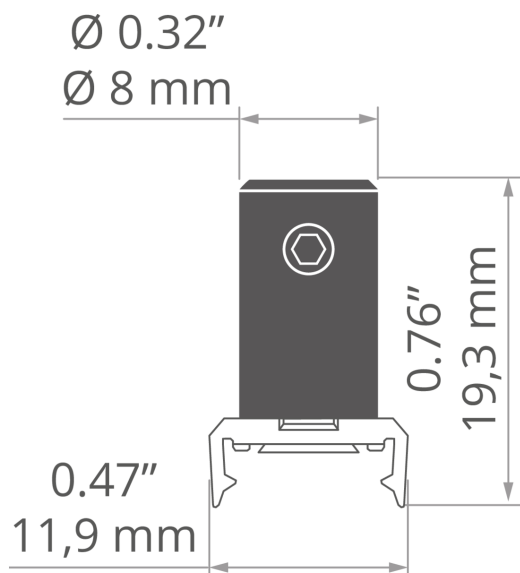
- for suspending LED lighting fixtures

## MOUNTING

- to the lighting fixture, using a mounting bracket
- to the rod with a pressure screw
- easy installation and deinstallation of lighting fixtures by snapping in and out



## TECHNICAL DRAWING



## TECHNICAL SPECIFICATIONS

Material	stainless steel, PC
Color	■ silver
Width	0.47"

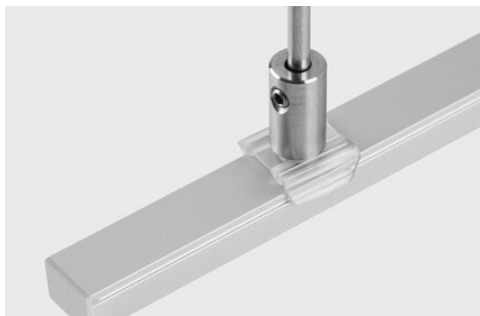
Height	0.05"
Lifting capacity	19.8 lb

# Fastener K-10-WP

Ref. C28236N00

Ref. arch 42671

## SAMPLE PROJECTS



## RELATED PROFILES > MINIMALISTIC



**PIKO**  
A08288  
Ref. arch B8288



**PIKO-ZM**  
A01168  
Ref. arch C1168

## RELATED ACCESSORIES > OTHER ACCESSORIES > WIRES AND RODS



ROD  
**FI-3-ALU**  
C28196A01, C28196A07  
Ref. arch 42526, 42527, 42528, 42529