

Fastener K-10-WL

Ref. C28237N00

Ref. arch 42672

- Lengthwise suspension on a wire
- Minimum dimensions

APPLICATION

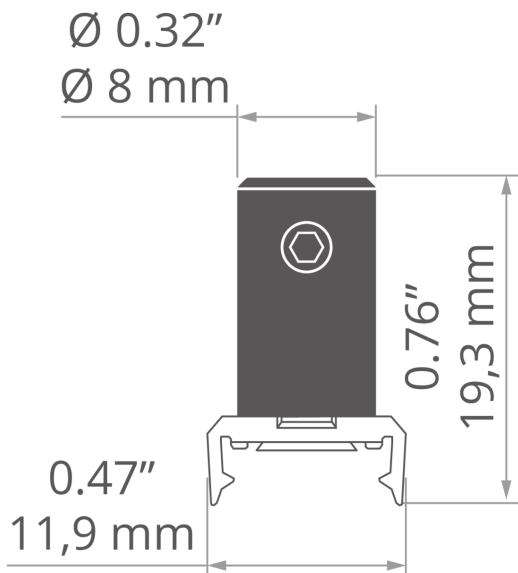
- for suspending LED lighting fixtures

MOUNTING


- to the lighting fixture, using a mounting bracket
- to the wire with a pressure screw
- easy installation and deinstallation of lighting fixtures by snapping in and out



TECHNICAL DRAWING



TECHNICAL SPECIFICATIONS

Material	stainless steel, PC
Color	 silver
Width	0.47"

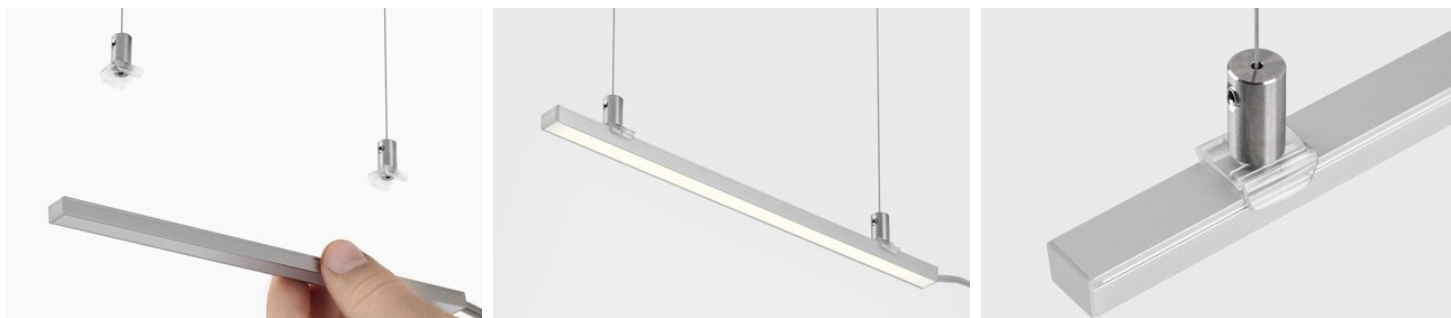
Height	0.76"
Lifting capacity	19.8 lb

Fastener K-10-WL

Ref. C28237N00

Ref. arch 42672

SAMPLE PROJECTS



RELATED PROFILES > MINIMALISTIC



PIKO
A08288
Ref. arch B8288



PIKO-ZM
A01168
Ref. arch C1168

RELATED ACCESSORIES > OTHER ACCESSORIES > WIRES AND RODS



LINKA STALOWA
FI-1 1m
C24522N00
Ref. arch 1397



WIRE
0,5 mm
Z70499
Ref. arch 70499