

Fastener K-10-PP

Ref. C28235N00

Ref. arch 42670

- Crosswise suspension on a rod
- Minimum dimensions

APPLICATION

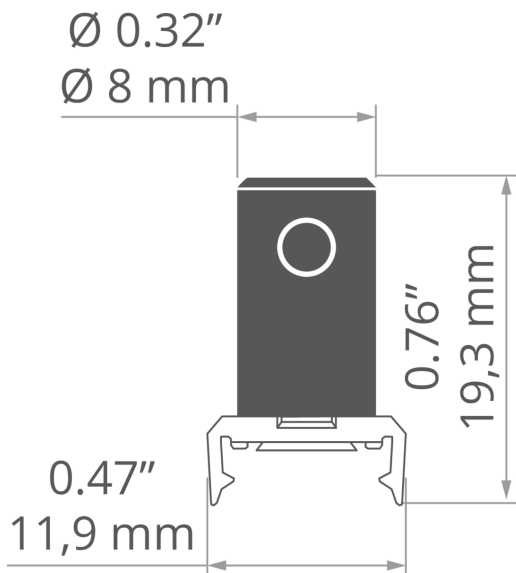
- for suspending LED lighting fixtures

MOUNTING

- to the lighting fixture, using a mounting bracket
- to the rod with a pressure screw
- easy installation and deinstallation of lighting fixtures by snapping in and out



TECHNICAL DRAWING



TECHNICAL SPECIFICATIONS

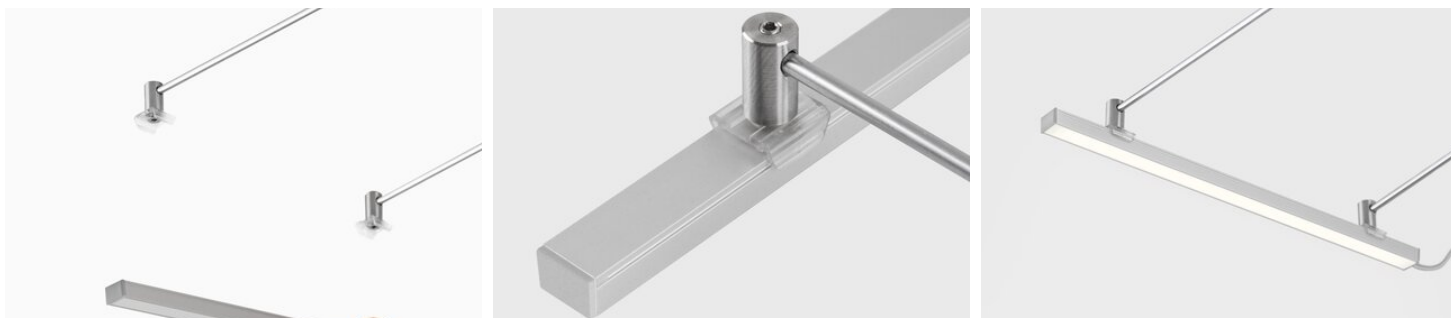
Material	stainless steel, PC	Height	0.47"
Color	■ silver	Diameter	8 mm
Width	0.76"	Lifting capacity	19.8 lb

Fastener K-10-PP

Ref. C28235N00

Ref. arch 42670

SAMPLE PROJECTS



RELATED PROFILES > MINIMALISTIC

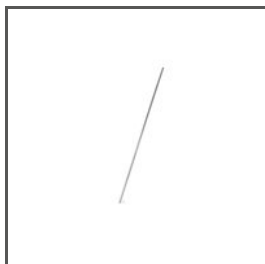


PIKO
A08288
Ref. arch B8288

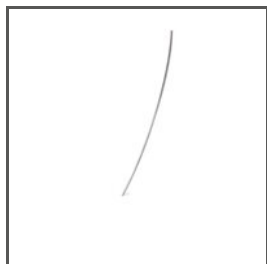


PIKO-ZM
A01168
Ref. arch C1168

RELATED ACCESSORIES > OTHER ACCESSORIES > WIRES AND RODS



ROD
FI-3 1m
42501



ROD
FI-3 53 cm
C24528N00
Ref. arch 1528



ROD
FI-3-ALU
C28196A01, C28196A07
Ref. arch 42526, 42527, 42528, 42529