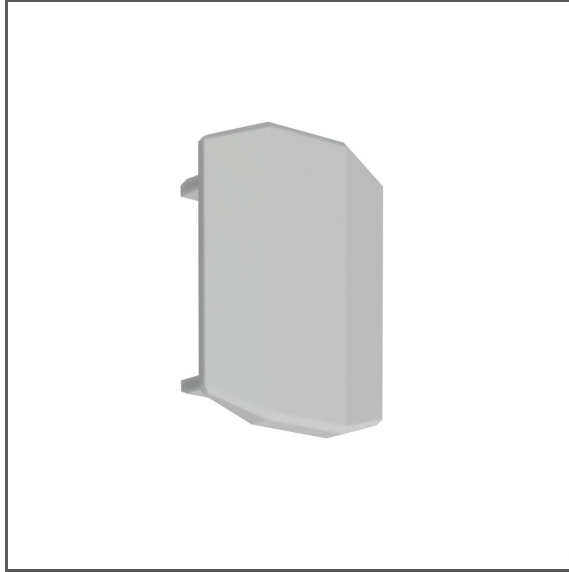


End cap GIZA-DUO-LL

Ref. C24372C02, C24372L01, C24372C07



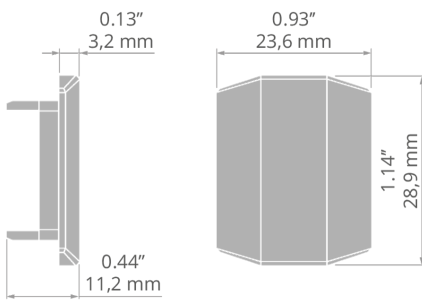
APPLICATION

- aesthetic finish and protection of the interior of the lighting fixture

MOUNTING

- to the extrusion, by pressing

TECHNICAL DRAWING



TECHNICAL SPECIFICATIONS

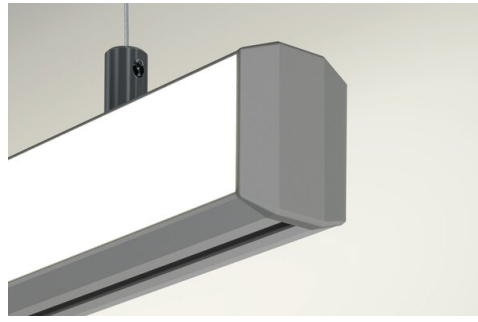
Material	ABS
Shape	rectangular
Height	0.9"
Width	1.1"
Corrosion resistance	yes
Corrosion resistance at high salinity	yes

Color	Ref
■ gray	C24372C02
■ silver	C24372L01
■ black	C24372C07

End cap GIZA-DUO-LL

Ref. C24372C02, C24372L01, C24372C07

SAMPLE PROJECTS



RELATED PROFILES > ARCHITECTURAL



GIZA-DUO-LL
A02162