

# End cap GIL

Ref. C24029C02, C24029L01, C24029C07, C24029C10

Ref. arch 24029, 24035, 24133, 24132



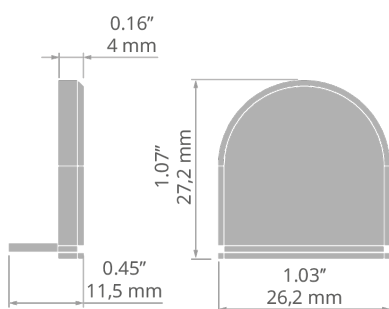
## APPLICATION

- aesthetic finish and protection of the interior of the lighting fixture

## MOUNTING

- to the extrusion, by pressing

## TECHNICAL DRAWING



## TECHNICAL SPECIFICATIONS

Material	PP
Shape	rectangular
Height	0.98"
Width	1.02"
Corrosion resistance	yes
Corrosion resistance at high salinity	yes

Color	Ref
<input type="checkbox"/> gray	C24029C02 24029
<input type="checkbox"/> silver	C24029L01 24035
<input type="checkbox"/> black	C24029C07 24133
<input type="checkbox"/> white	C24029C10 24132

# End cap GIL

Ref. C24029C02, C24029L01, C24029C07, C24029C10

Ref. arch 24029, 24035, 24133, 24132

## RELATED PROFILES > ARCHITECTURAL



### GIZA

A05556

Ref. arch B5556