

# Mounting bracket AM-24

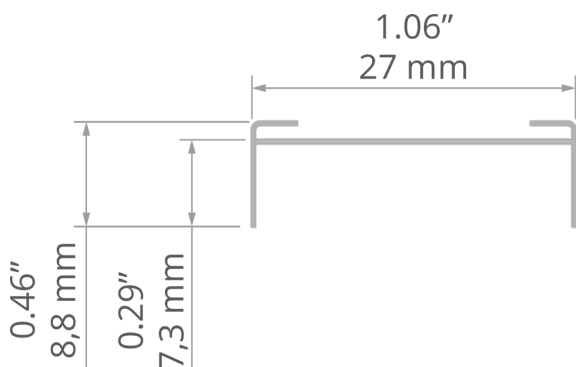
Ref. C24235N00



A mounting bracket for attaching lighting fixtures to Armstrong ceilings without the need to interfere in their structure. It is compatible with extrusions from the architectural group (e.g. GIZA, LIPOD, GIZA-LL)

- Compatible with 15/16" ceiling grids.

## TECHNICAL DRAWING

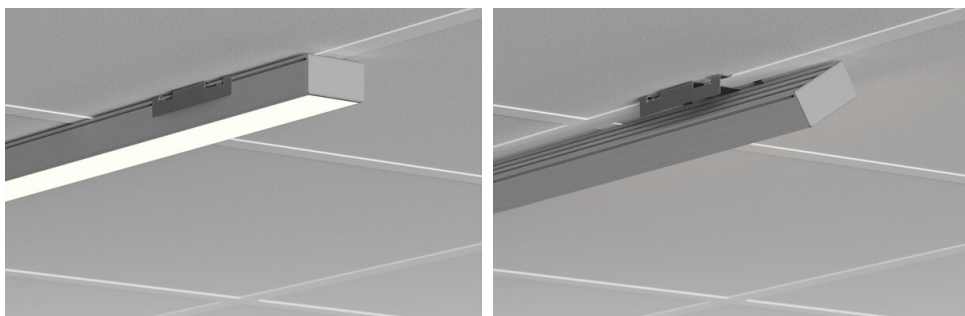


## TECHNICAL SPECIFICATIONS

Material	steel
Color	■ silver
Width	1.1"

Height	0.3"
Lifting capacity	2.6 lb

## SAMPLE PROJECTS



# Mounting bracket AM-24

Ref. C24235N00

## PROFILE PODOBNE



**GIZA**  
A05556



**GIZA-LL**  
A00758



**LIPOD**  
A05554