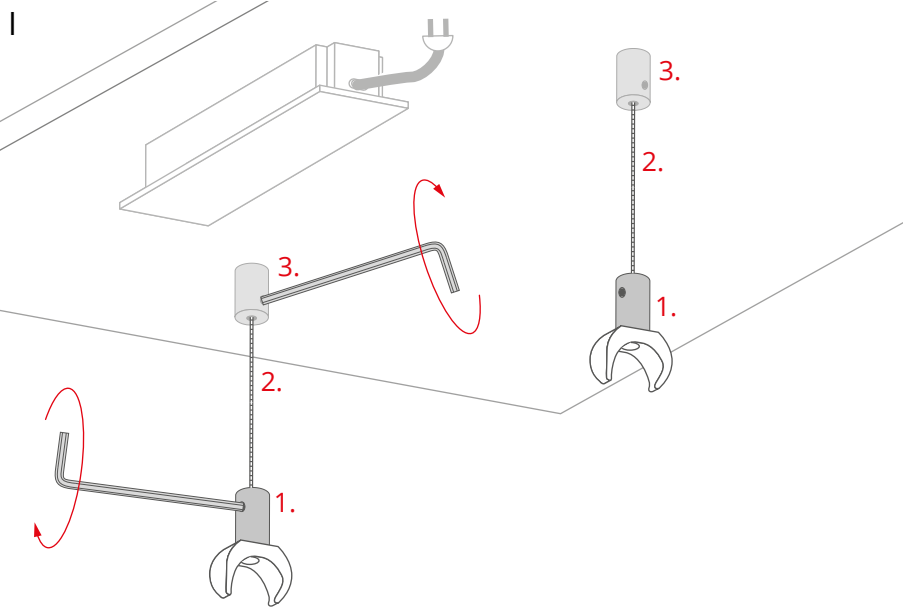


1. PLD-10-WL Fastener (ref. 42293)
2. Wire\*
3. Wall fastener\*
4. Power supply (12 V / 24 V)\*
5. Lighting fixture\*

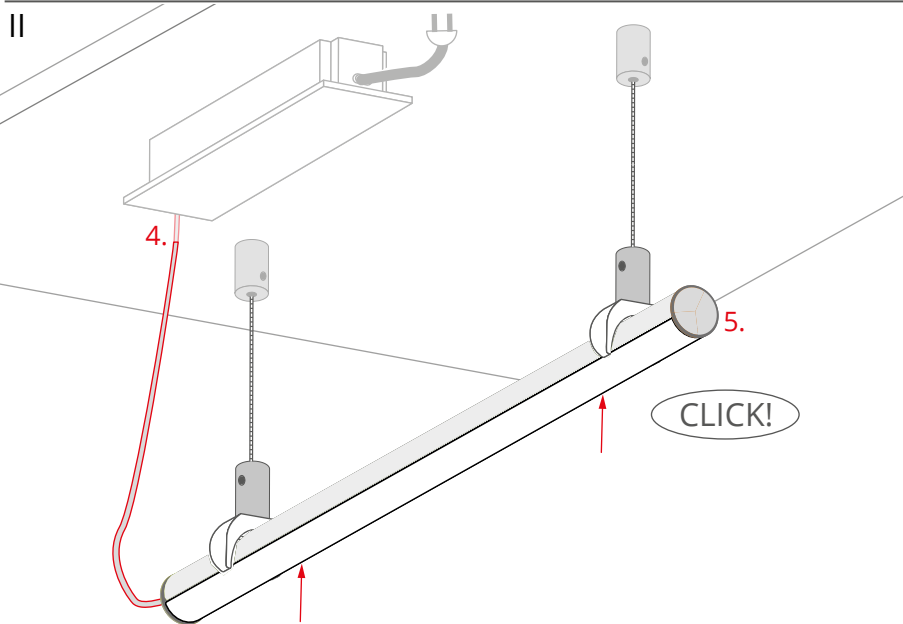
\*The full range of accessories and electronics is available at [www.KlusDesign.com](http://www.KlusDesign.com)

**NOTE!** All LED tapes must be connected to a 12 V or 24 V power supply.

**IMPORTANT:** Not all possible mounting procedures are presented here. More mounting procedures and related accessories can be found at [www.KlusDesign.com](http://www.KlusDesign.com). Drawings of extrusions and accessories in these instructions are simplified and only approximate the actual shapes.



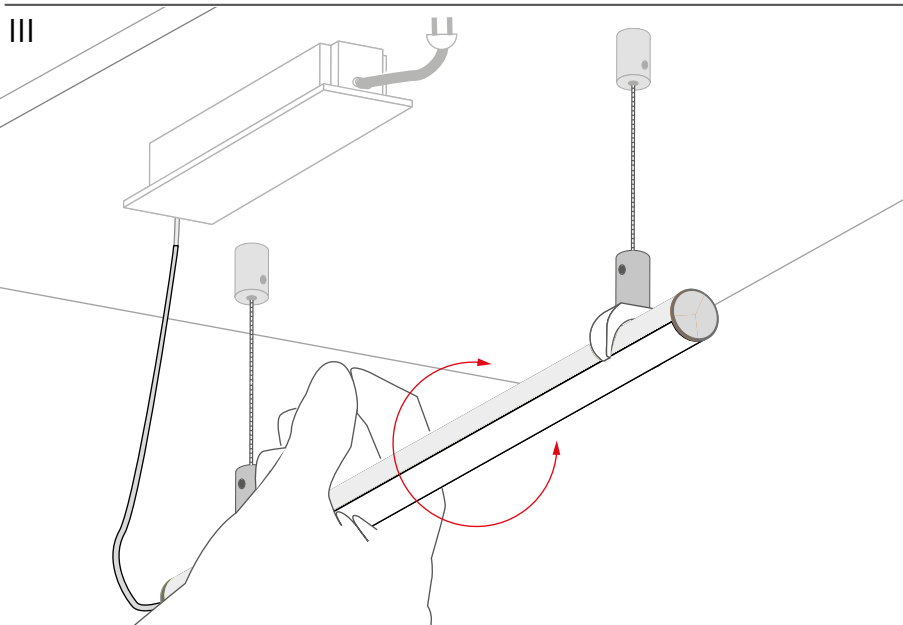
Mount the fasteners (1) on the wires (2) and on the wall fasteners (3).



Connect the lighting fixture (5) to the 12 V / 24 V power supply (4) and snap it in the fasteners.

It is recommended to use:

- 2 fasteners for 1 m of fixture
- 4 fasteners for 2 m of fixture
- 5 fasteners for 3 m of fixture



The lighting fixture can be rotated in the mounting brackets.