

- 1.1 Fastener
 - 1.2 Pressure screw
 - 2. Suspension wire*
- } 42294

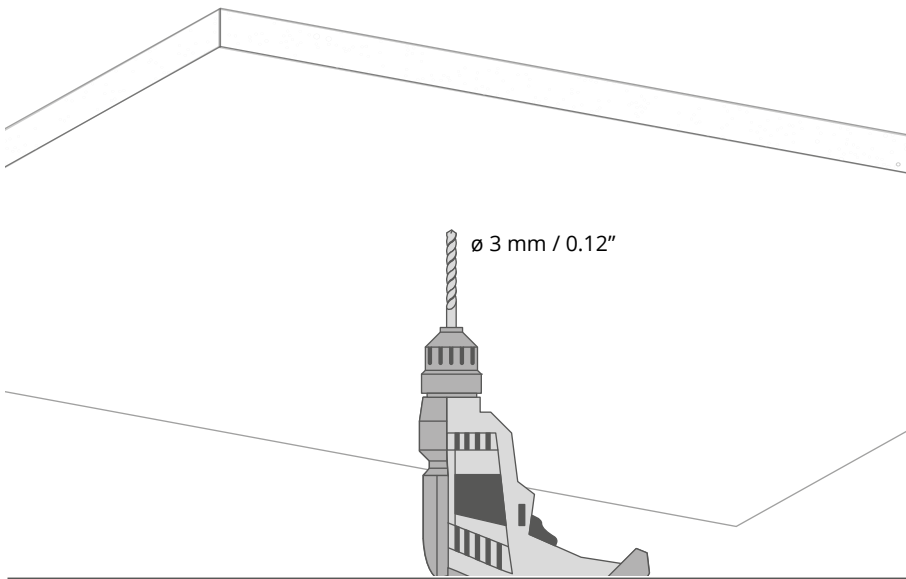
*The full range of accessories and electronics is available at www.KlusDesign.com

NOTE! All LED tapes must be connected to a 12 V or 24 V power supply.

IMPORTANT: Not all possible mounting procedures are presented here. More mounting procedures and related accessories can be found at www.KlusDesign.com. Drawings of extrusions and accessories in these instructions are simplified and only approximate the actual shapes.

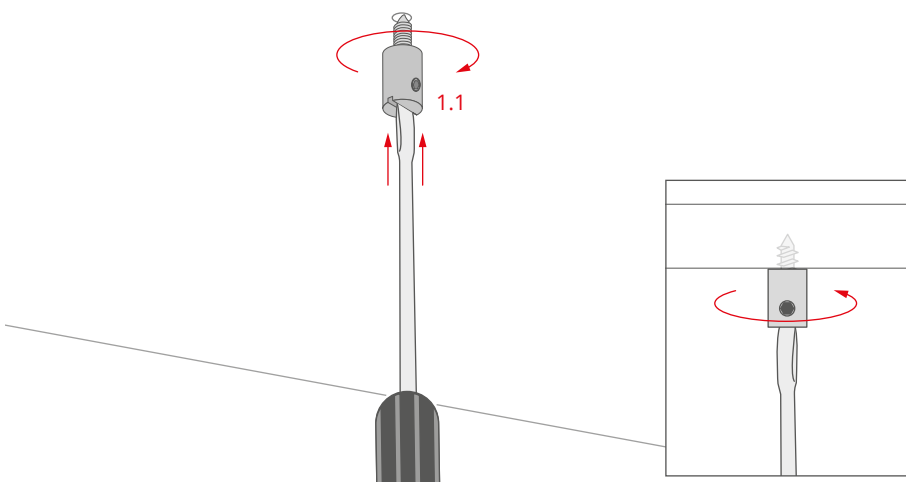
a) Installation to the surface and the smooth walls of an aluminium profile

Ia



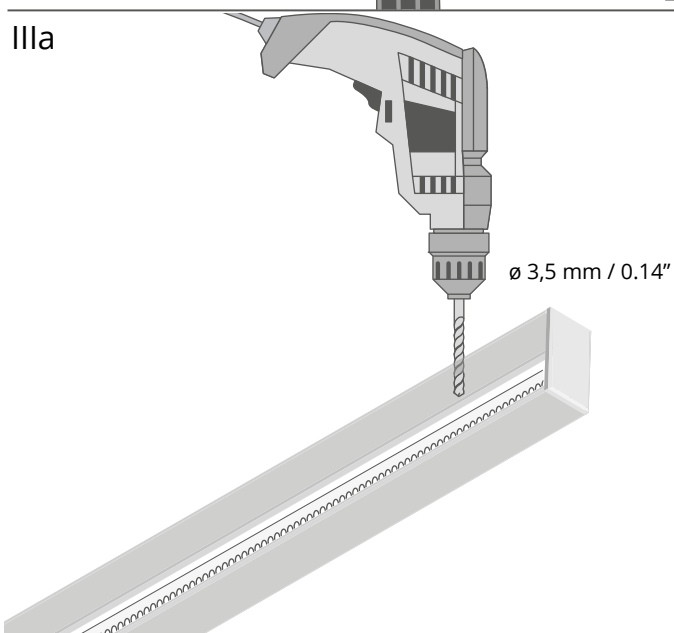
Drill a 3 mm / 0.12" hole in the ceiling. In case of metal surfaces, it should be a 3,5 mm / 0.14" hole.

Ila



Screw the fastener (1.1) into the pre-drilled hole.

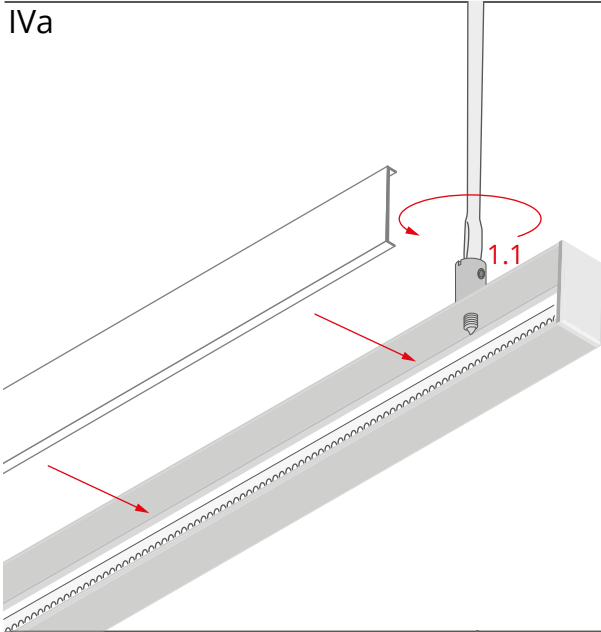
IIla



Drill a 3.5 mm / 0.14" hole in the profile's wall.

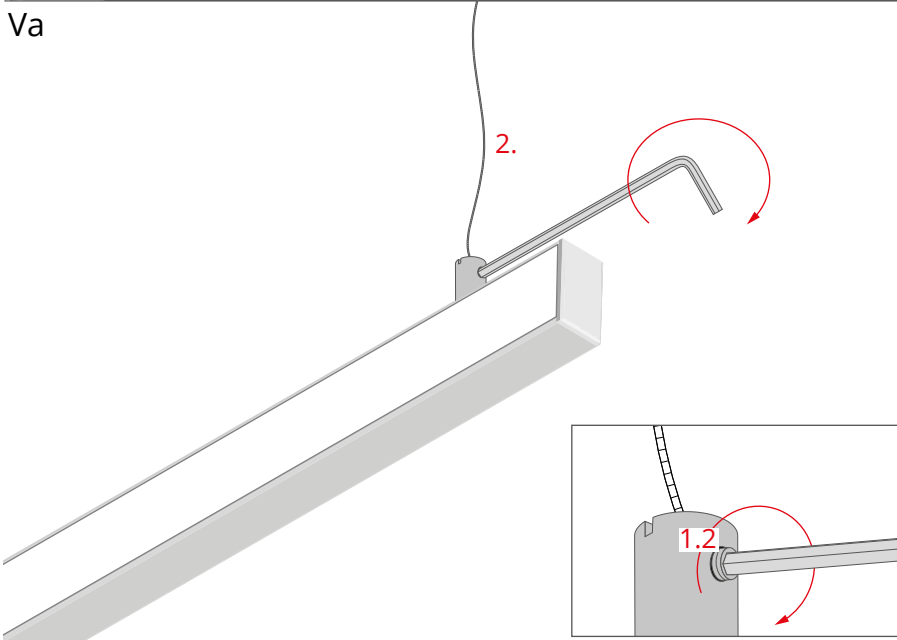
a) Installation to the surface and the smooth walls of aluminium profile

IVa



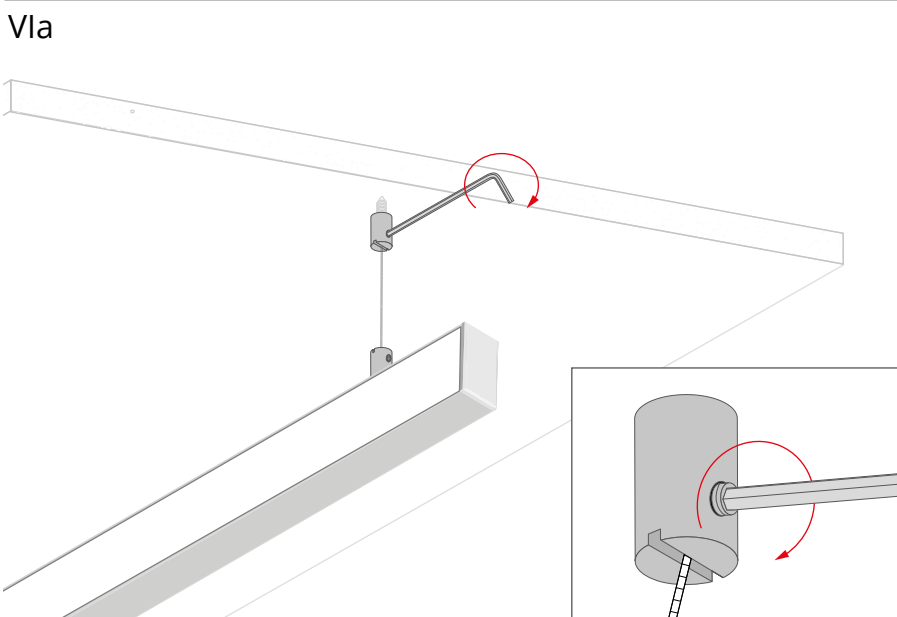
Screw the fastener (1.1) into the pre-drilled hole.

Va



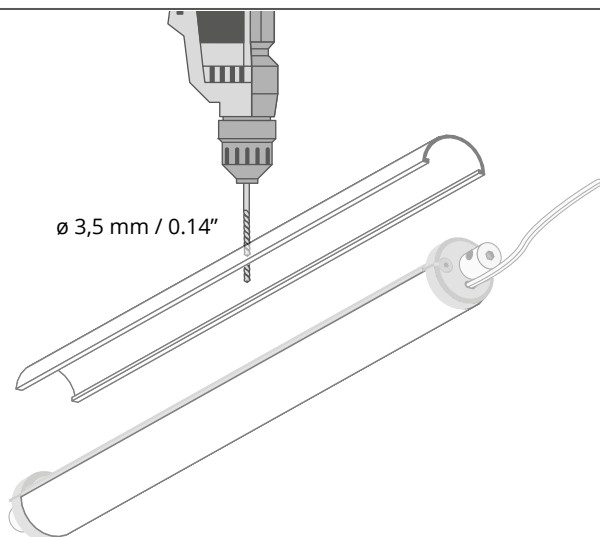
Insert the wire (2) the hole in the fastener and tighten the pressure screw (1.2) with an allen wrench.

VIa



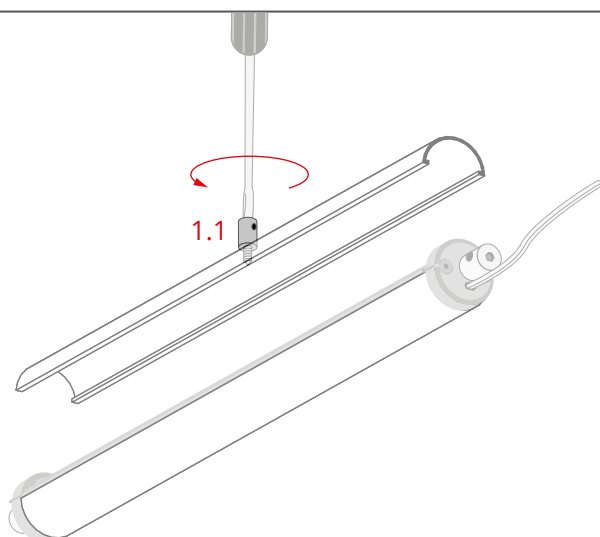
Suspend the fixture the ceiling fastener, repeating the procedure from chapter Va.

Ib



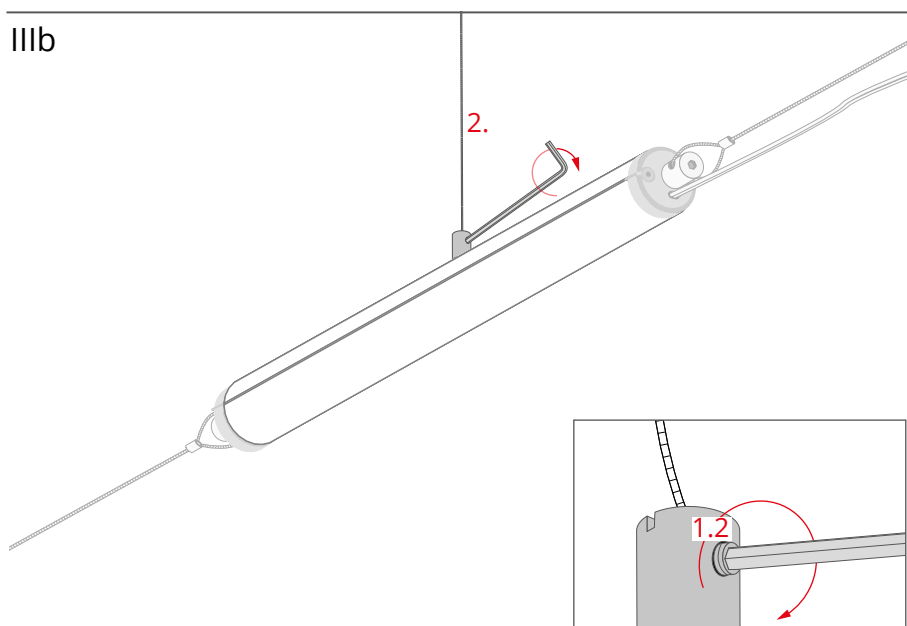
Drill a 3 mm / 0.12" hole in the fixture's cover.

IIb



Screw the fastener (1.1) into the pre-drilled hole.

IIIb



Insert the wire (2) into the hole in the fastener and tighten the pressure screw (1.2) with an allen wrench.