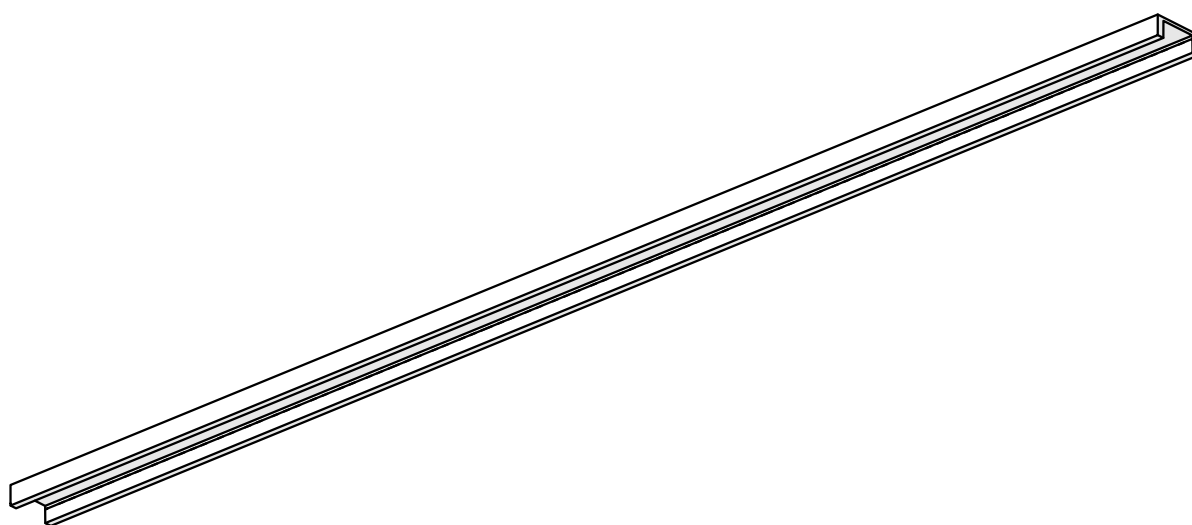
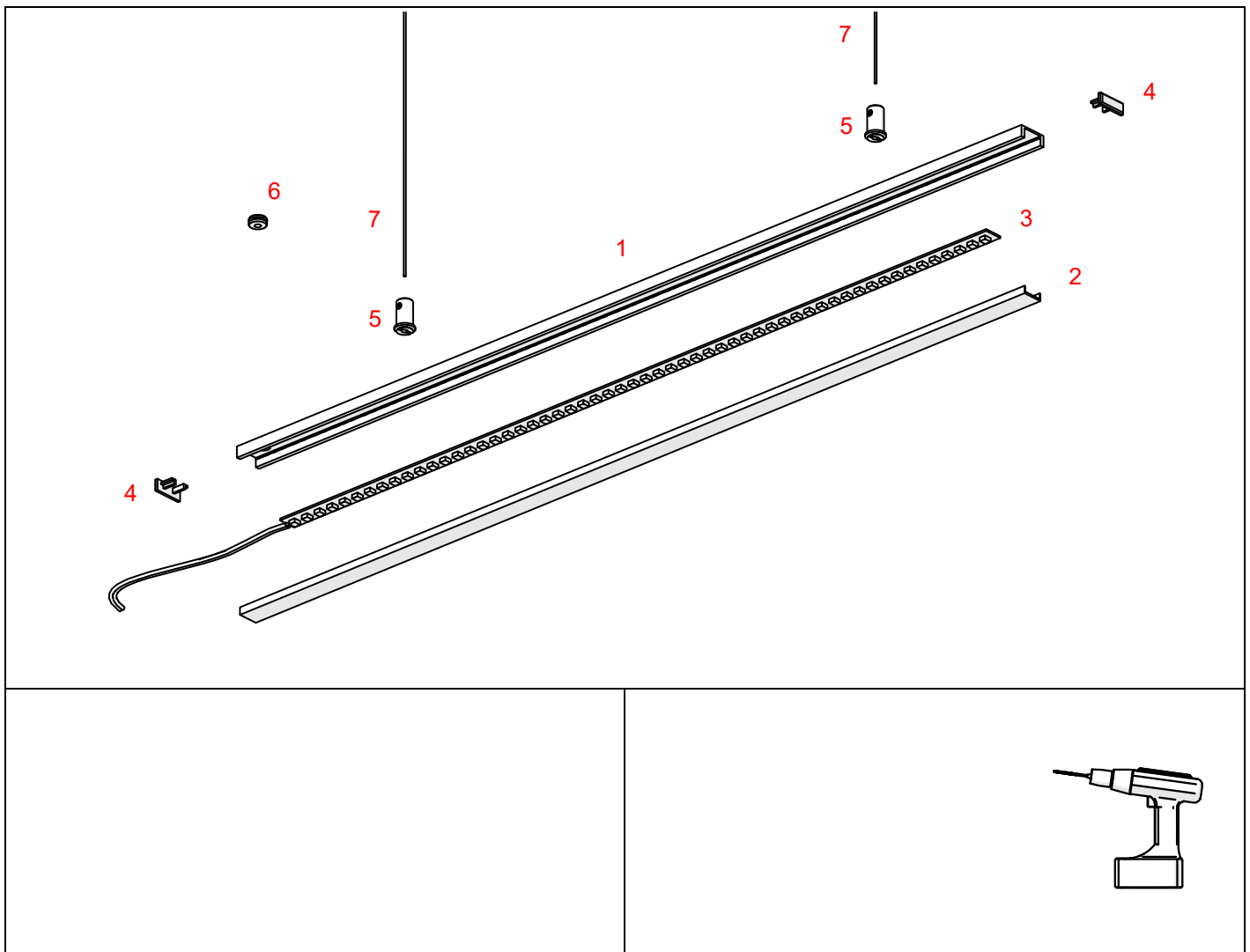


## Profile MICRO-PLUS





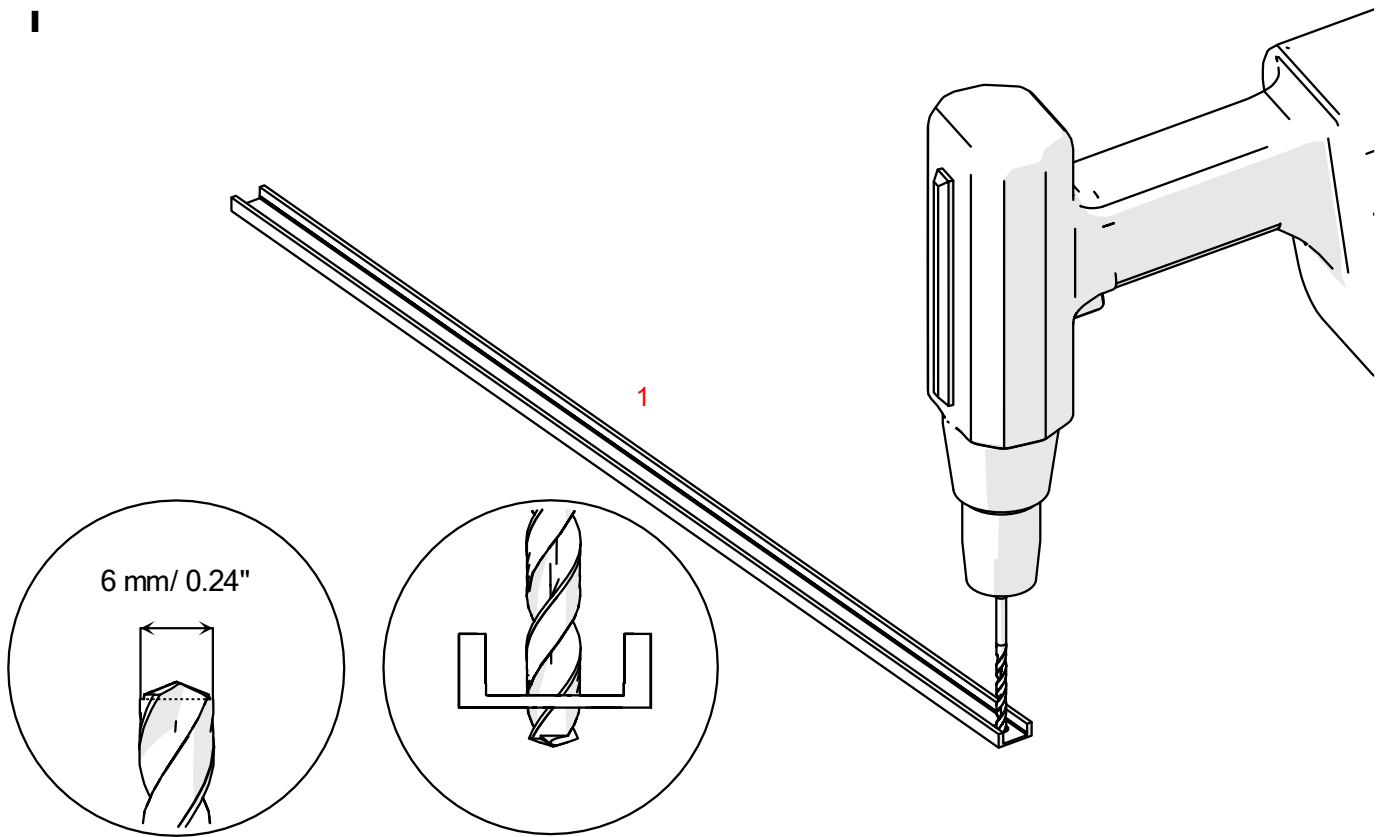
- 1. Profile MICRO-PLUS (Ref. A02966)
- 2. Cover\*
- 3. LED tape\*
- 4. End cap MICRO-PLUS (Ref. C24392)
- 5. Fastener FI-8-LIN-MR (Ref. C28172)
- 6. Gland\*
- 7. Stainless steel wire\*

\* The full range of accessories and electronics is available at [www.KlusDesign.com](http://www.KlusDesign.com)

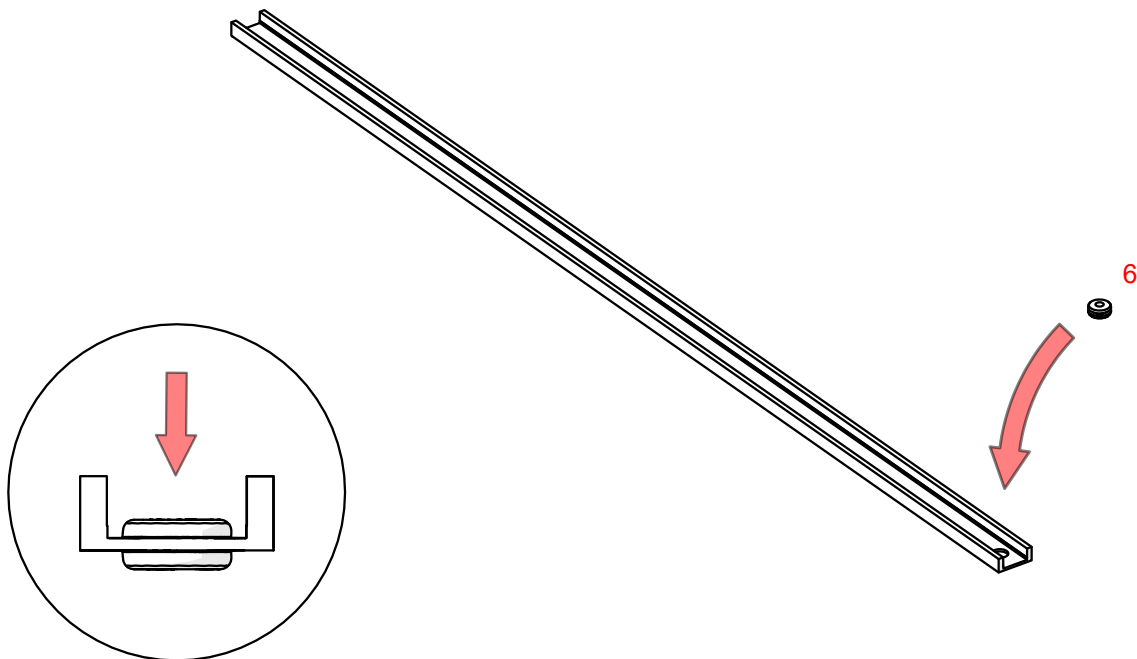
**NOTE! !** All LED tapes must be connected to a 24 V power supply.

**IMPORTANT:** Not all possible mounting procedures are presented here. More mounting procedures and related accessories can be found at [www.KlusDesign.com](http://www.KlusDesign.com). Drawings in these instructions are simplified and only approximate the actual shapes.

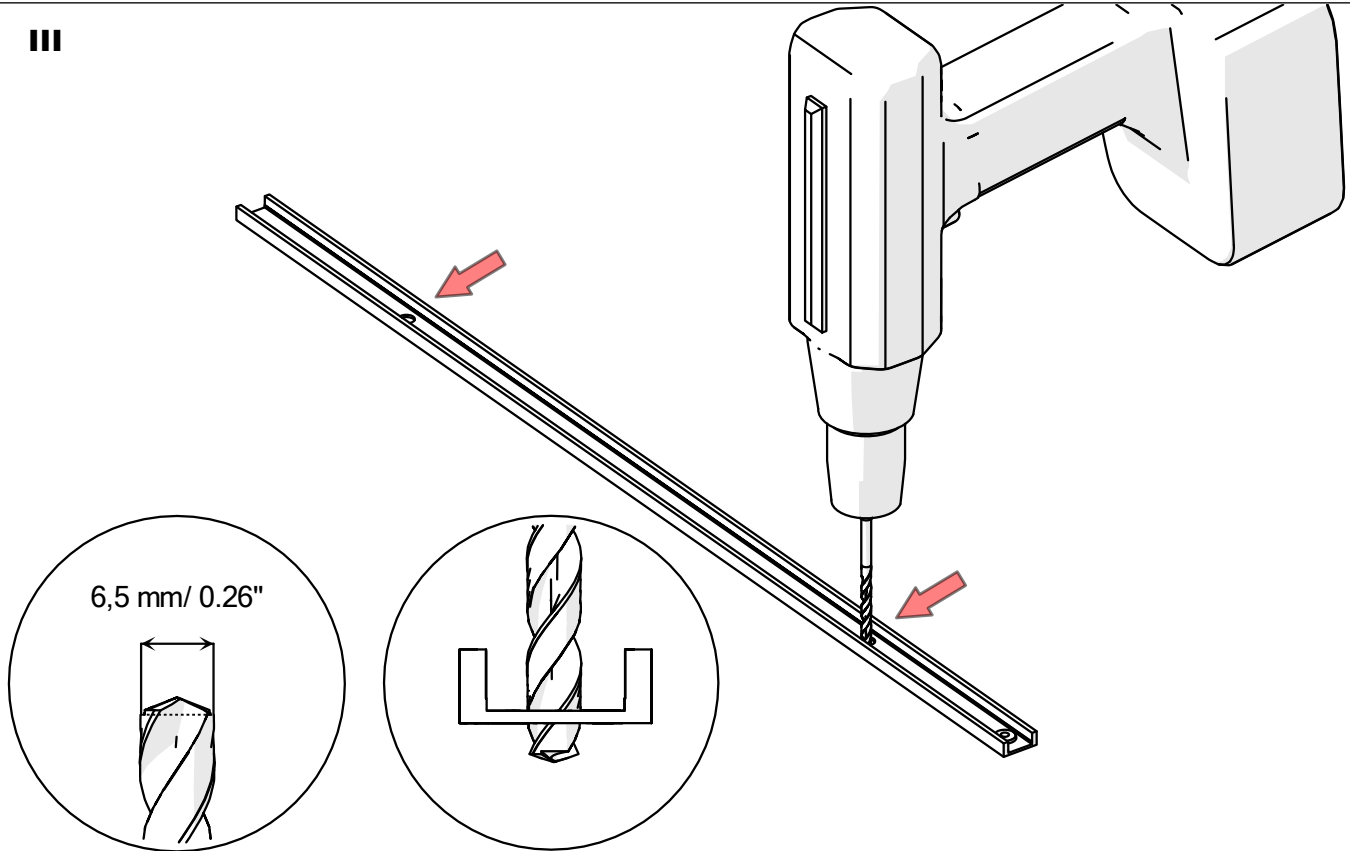
I



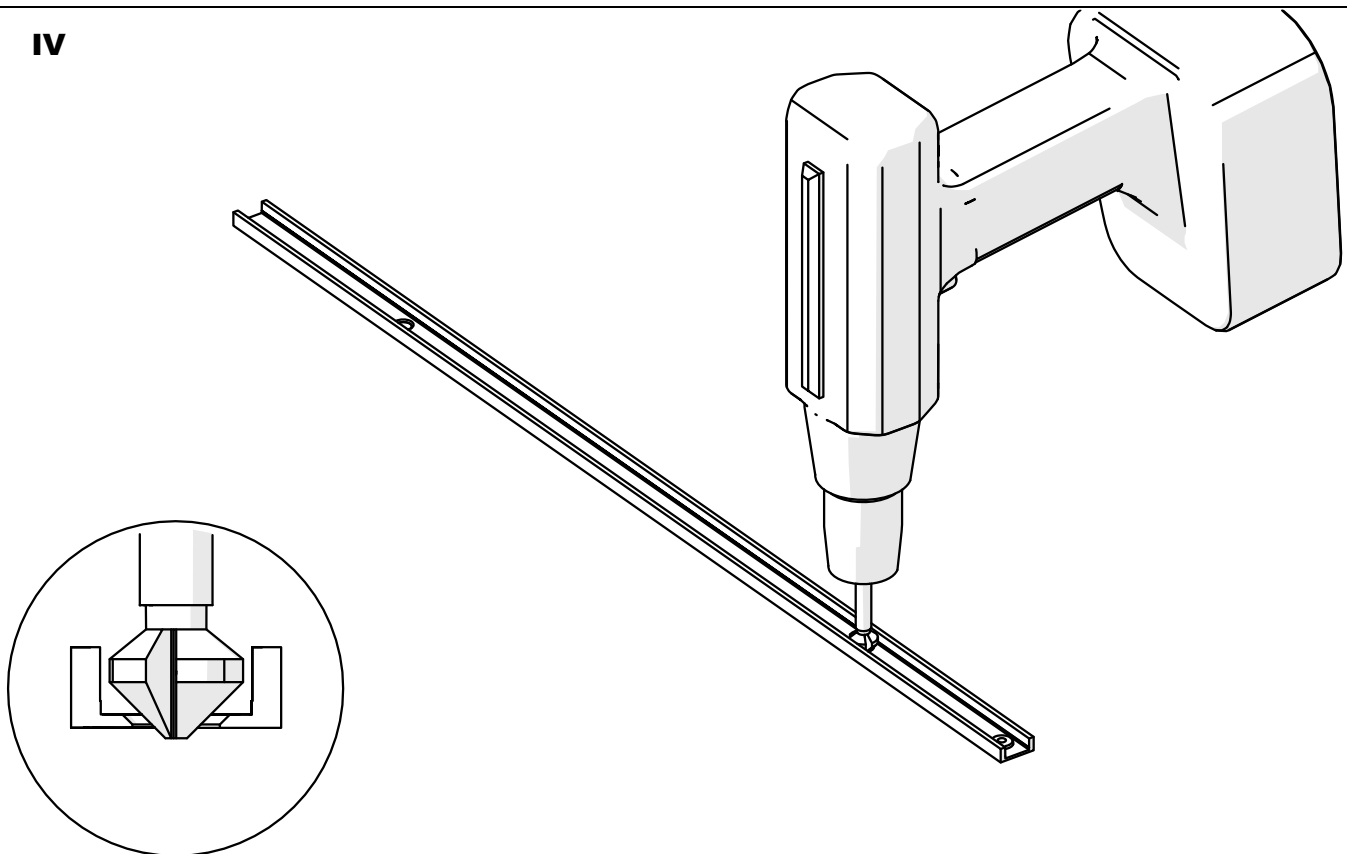
II



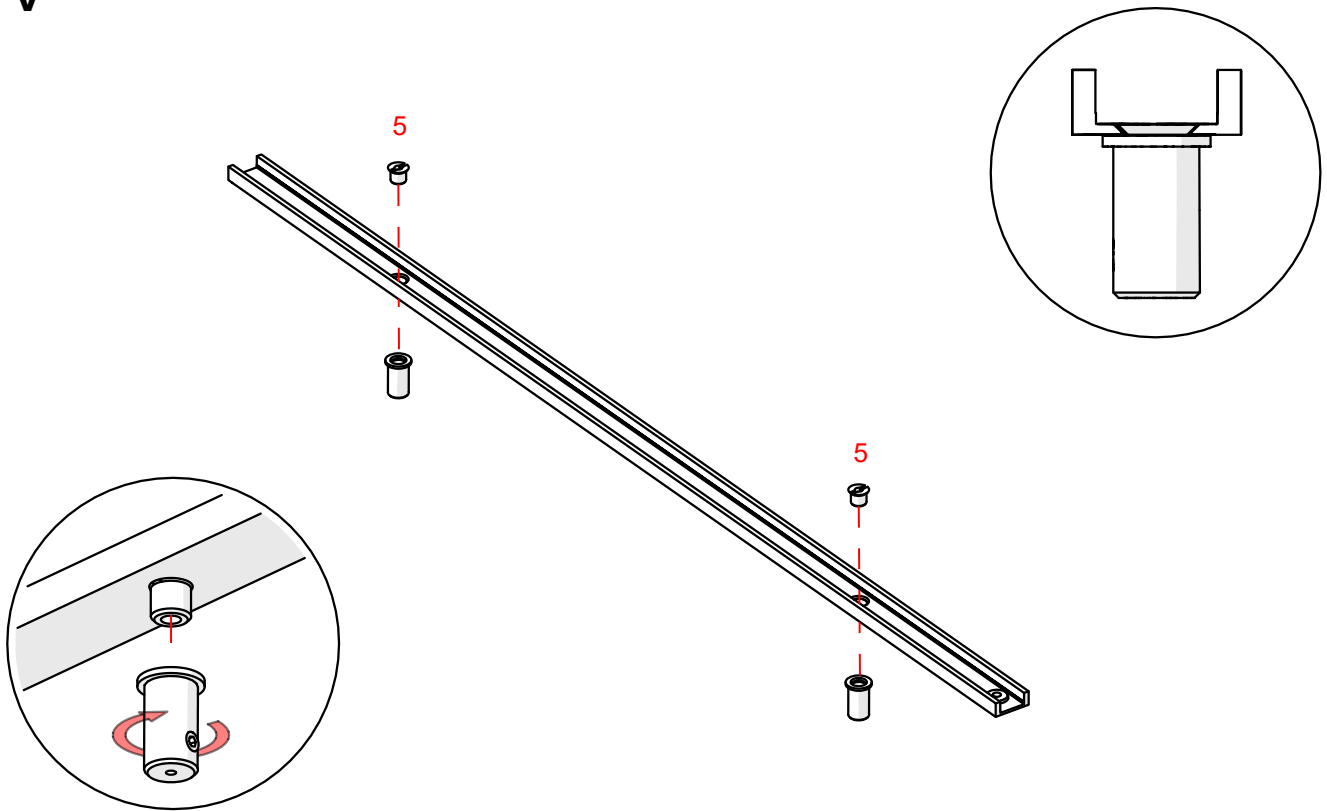
**III**



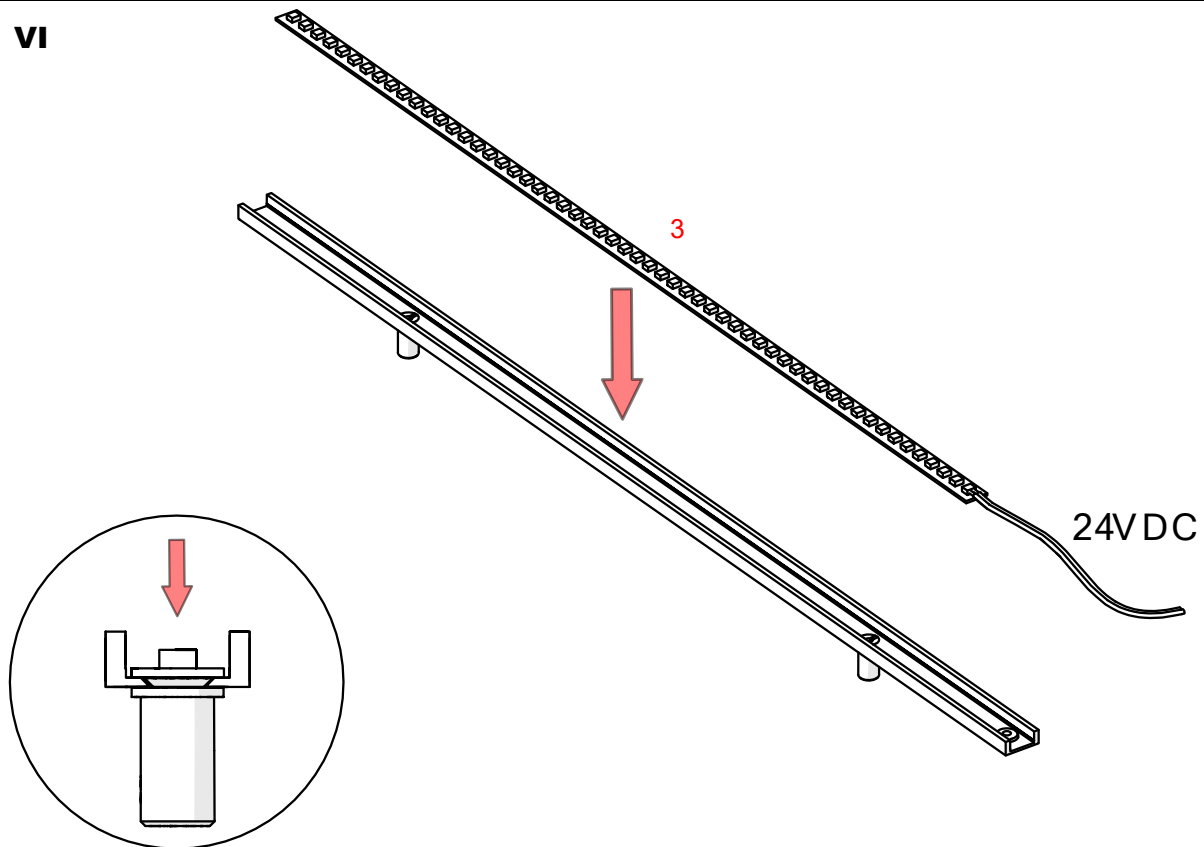
**IV**



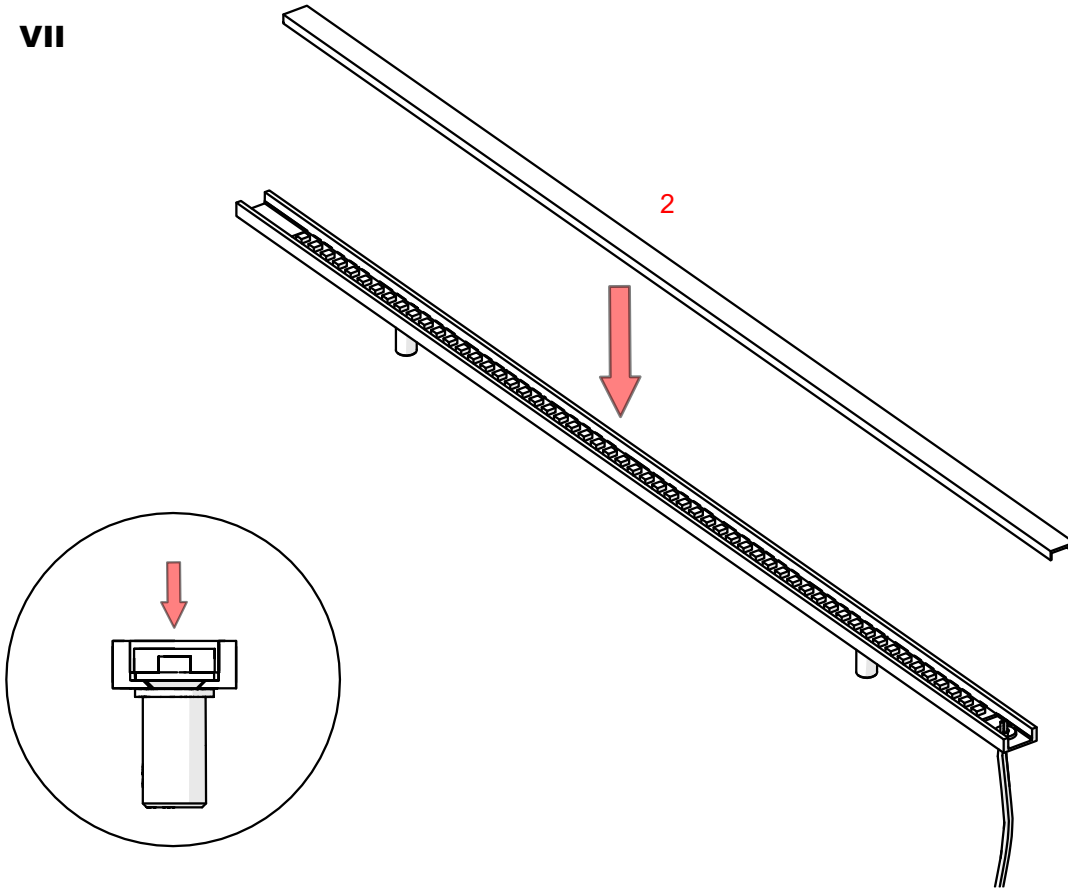
**V**



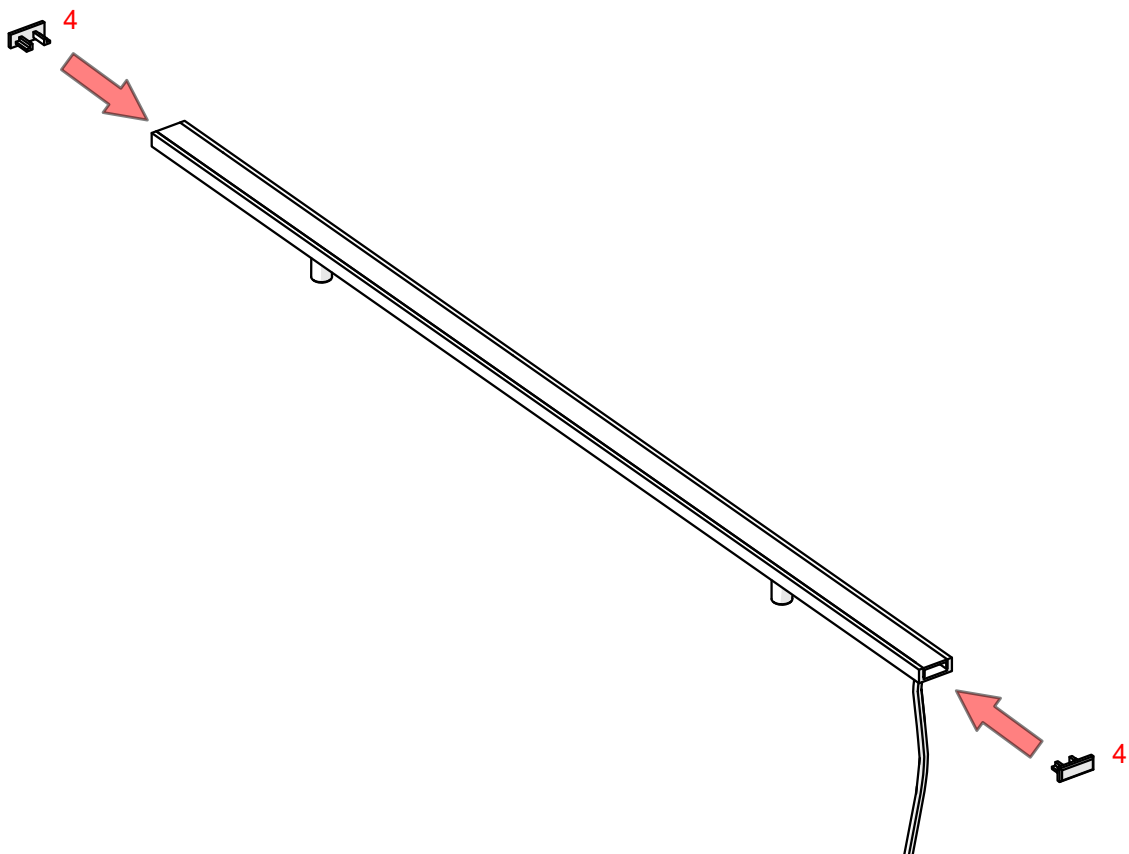
**VI**



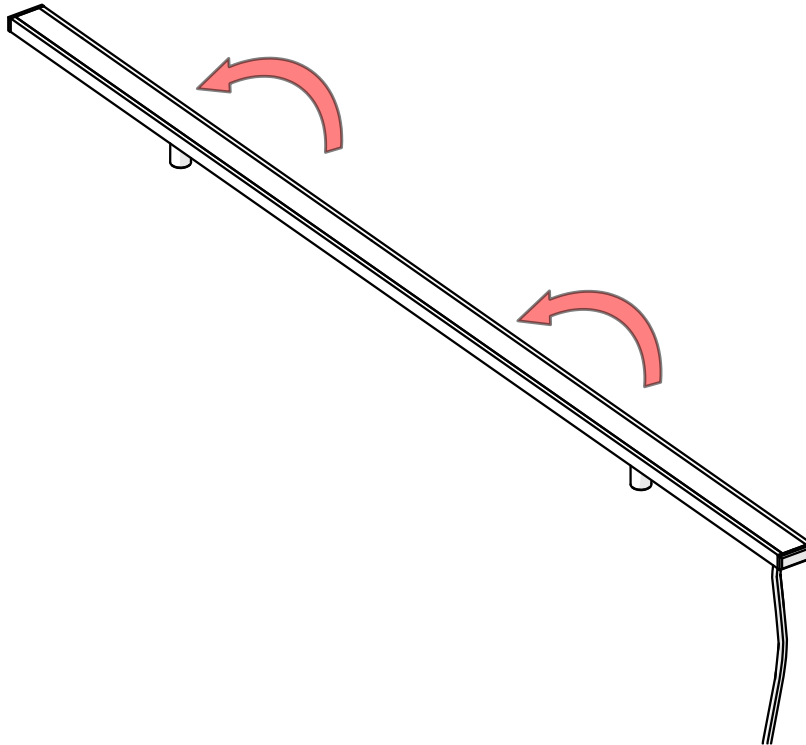
**VII**



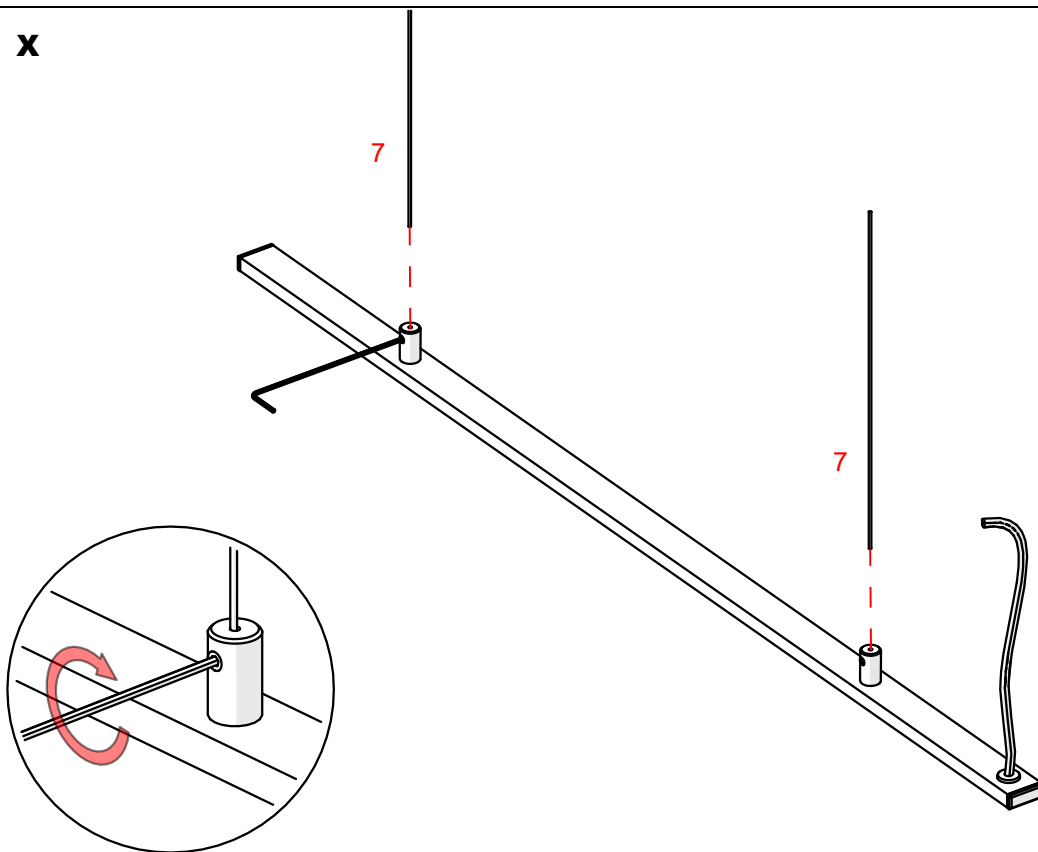
**VIII**



**IX**



**X**



**XI**

