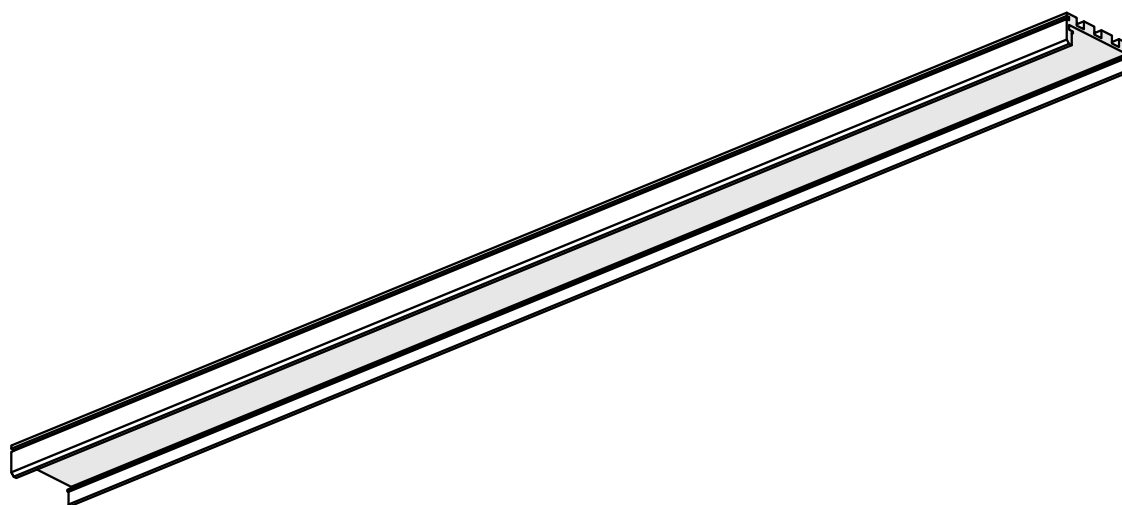
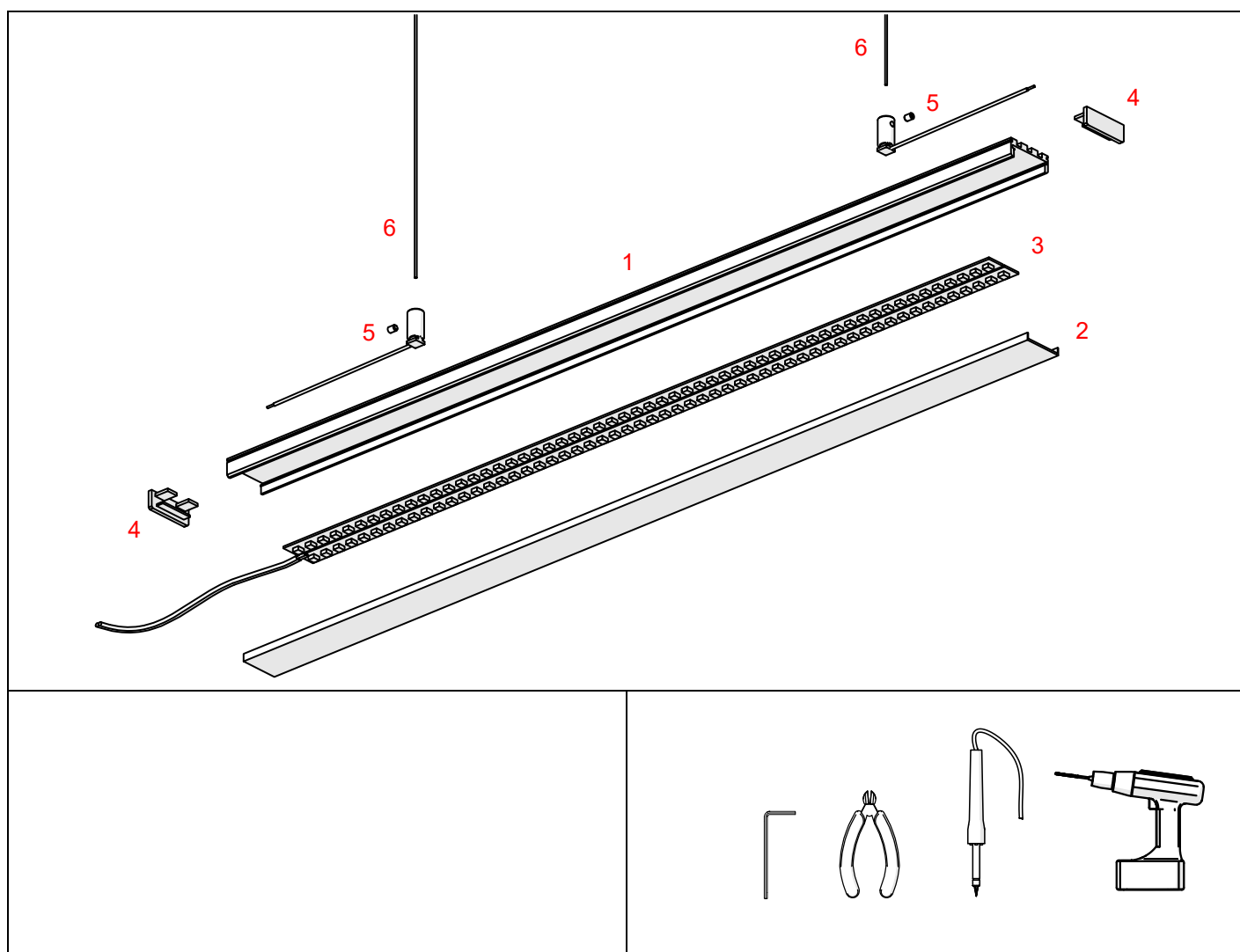


## Profile GIZA





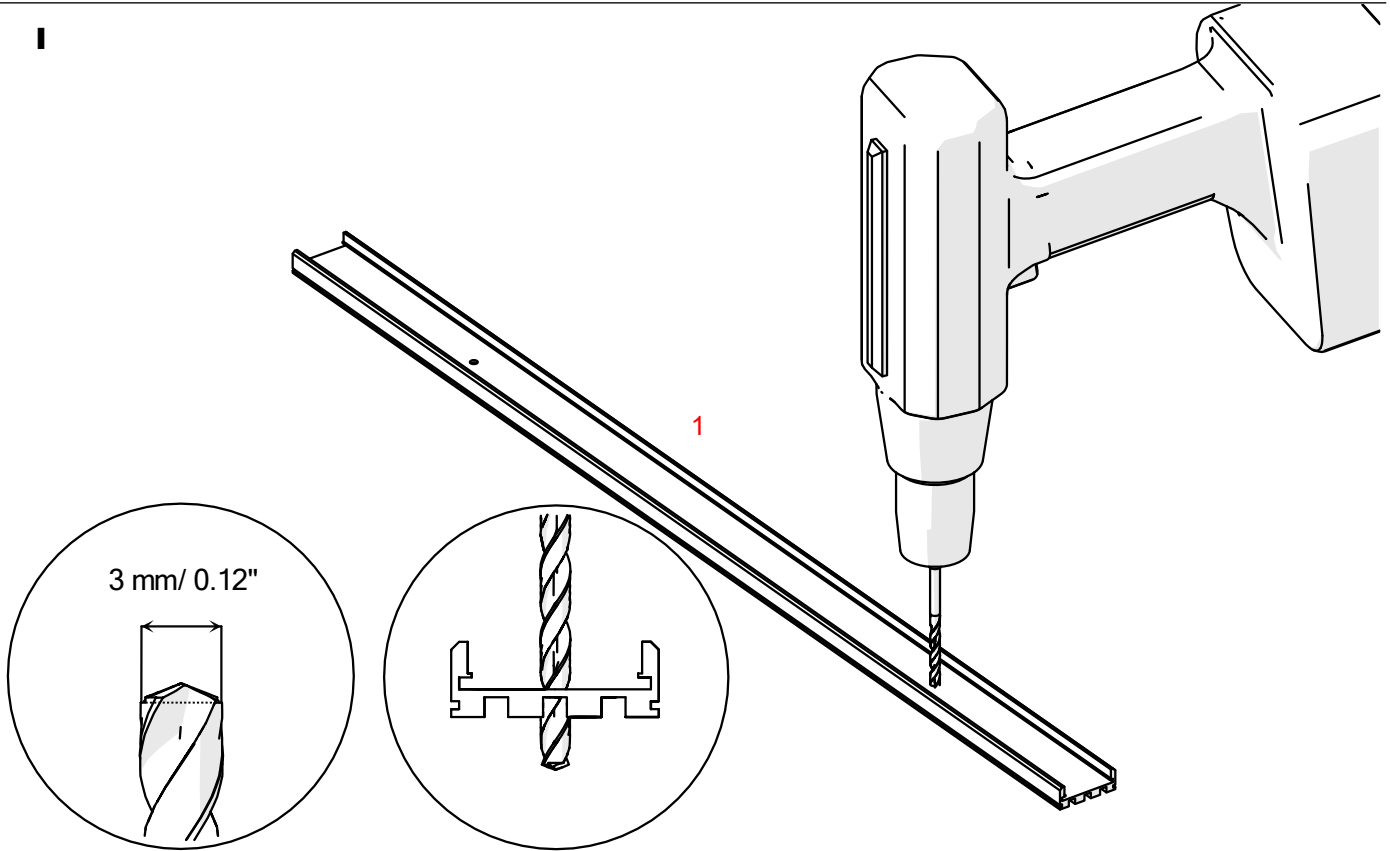
- 1. Profile GIZA (Ref. A05556)
- 2. Cover\*
- 3. LED tape\*
- 4. End cap GIZA (Ref. C24539)
- 5. Fastener FI-8-LIN-ZMZ (Ref. C28171)
- 6. Wire CU\*

\* The full range of accessories and electronics is available at [www.KlusDesign.com](http://www.KlusDesign.com)

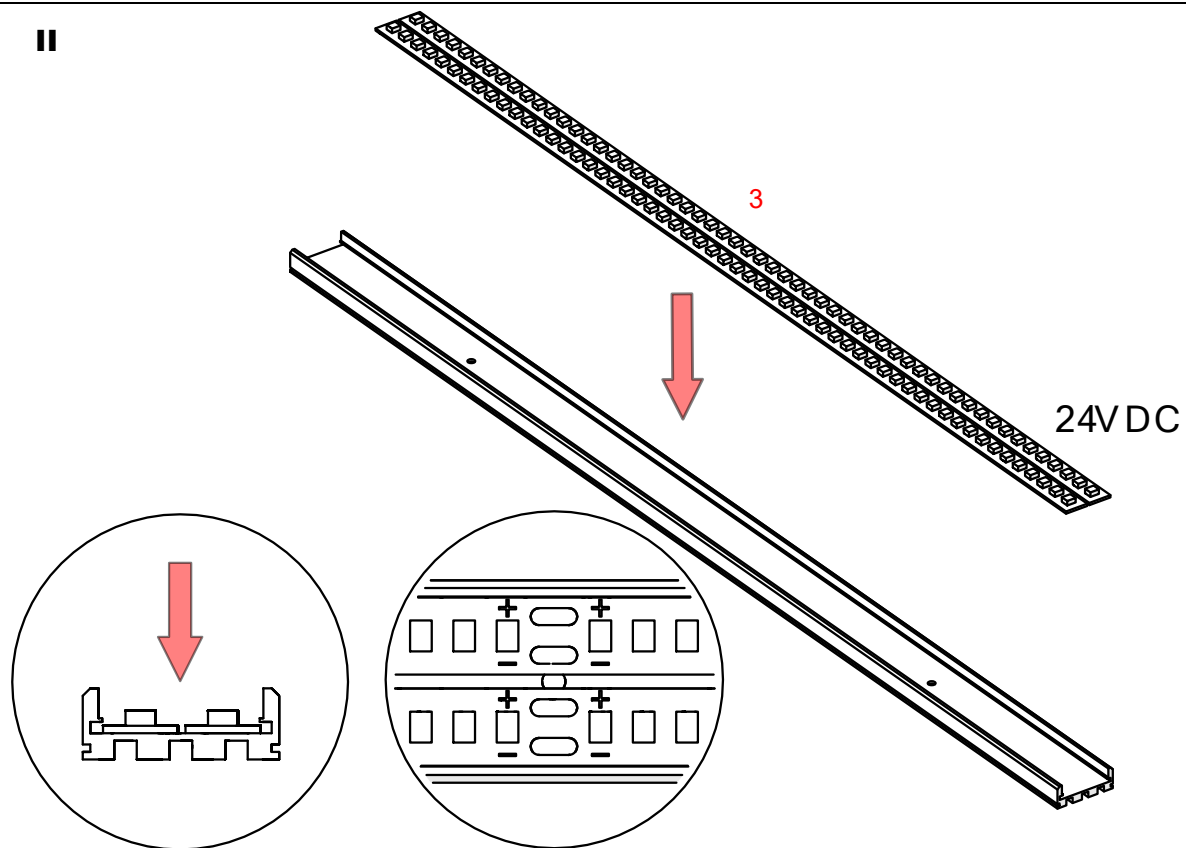
**NOTE!!** All LED tapes must be connected to a 24 V power supply.

**IMPORTANT:** Not all possible mounting procedures are presented here. More mounting procedures and related accessories can be found at [www.KlusDesign.com](http://www.KlusDesign.com). Drawings in these instructions are simplified and only approximate the actual shapes.

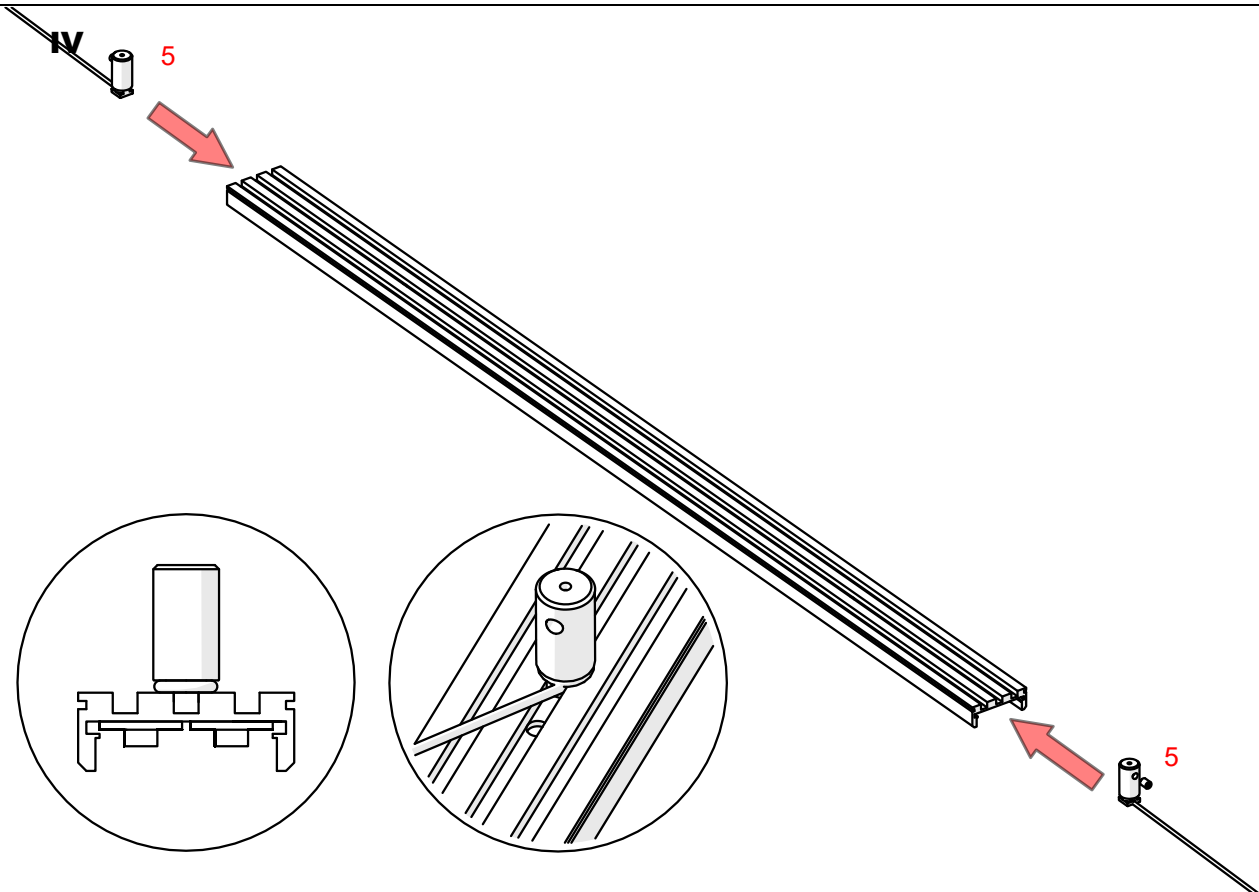
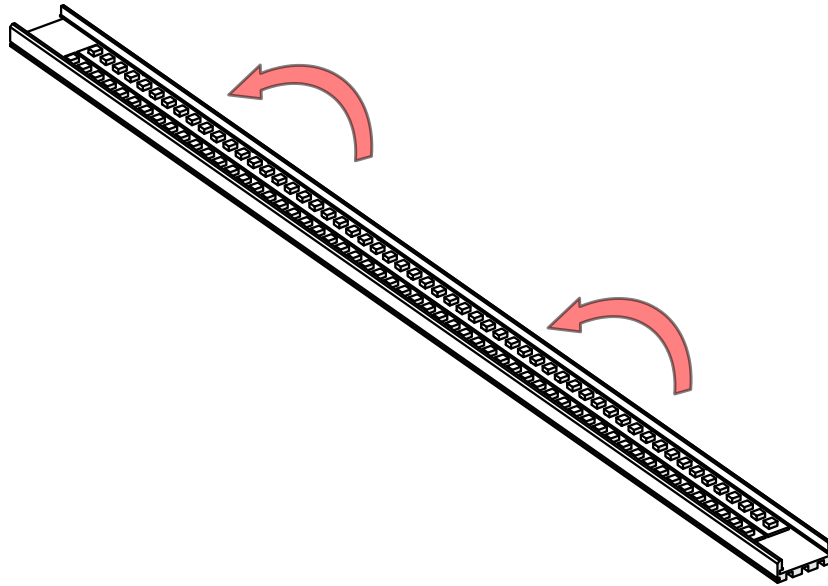
I



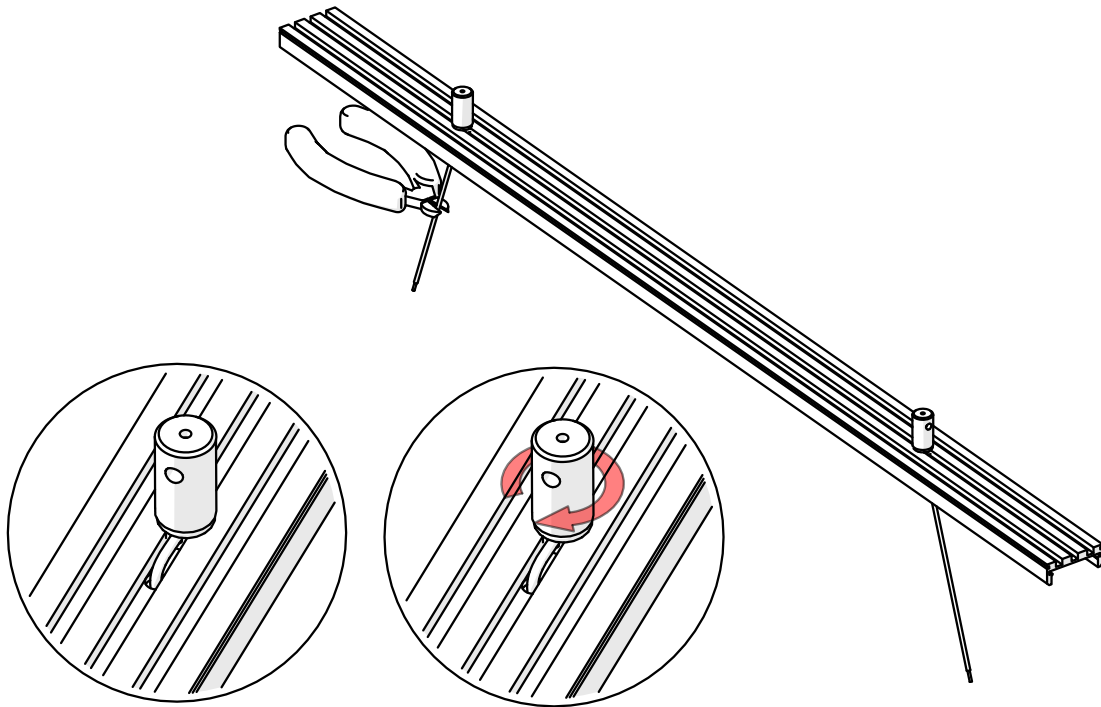
II



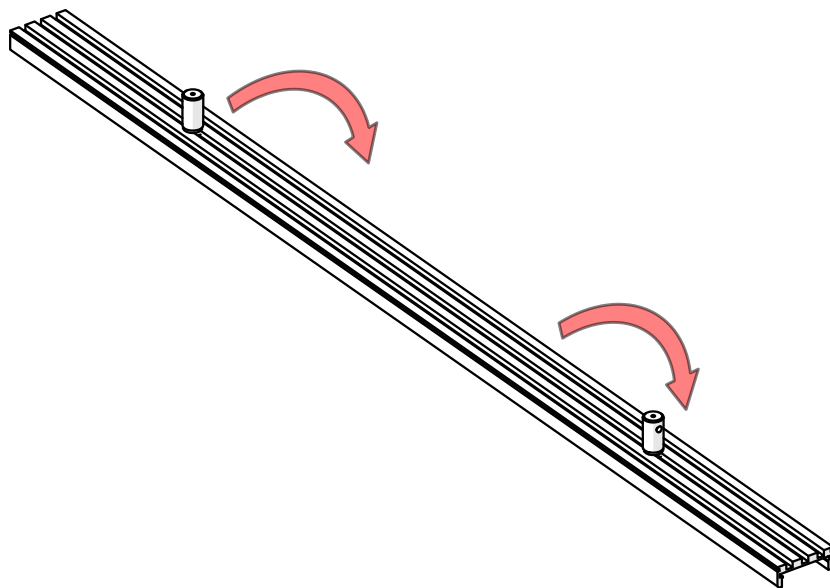
III



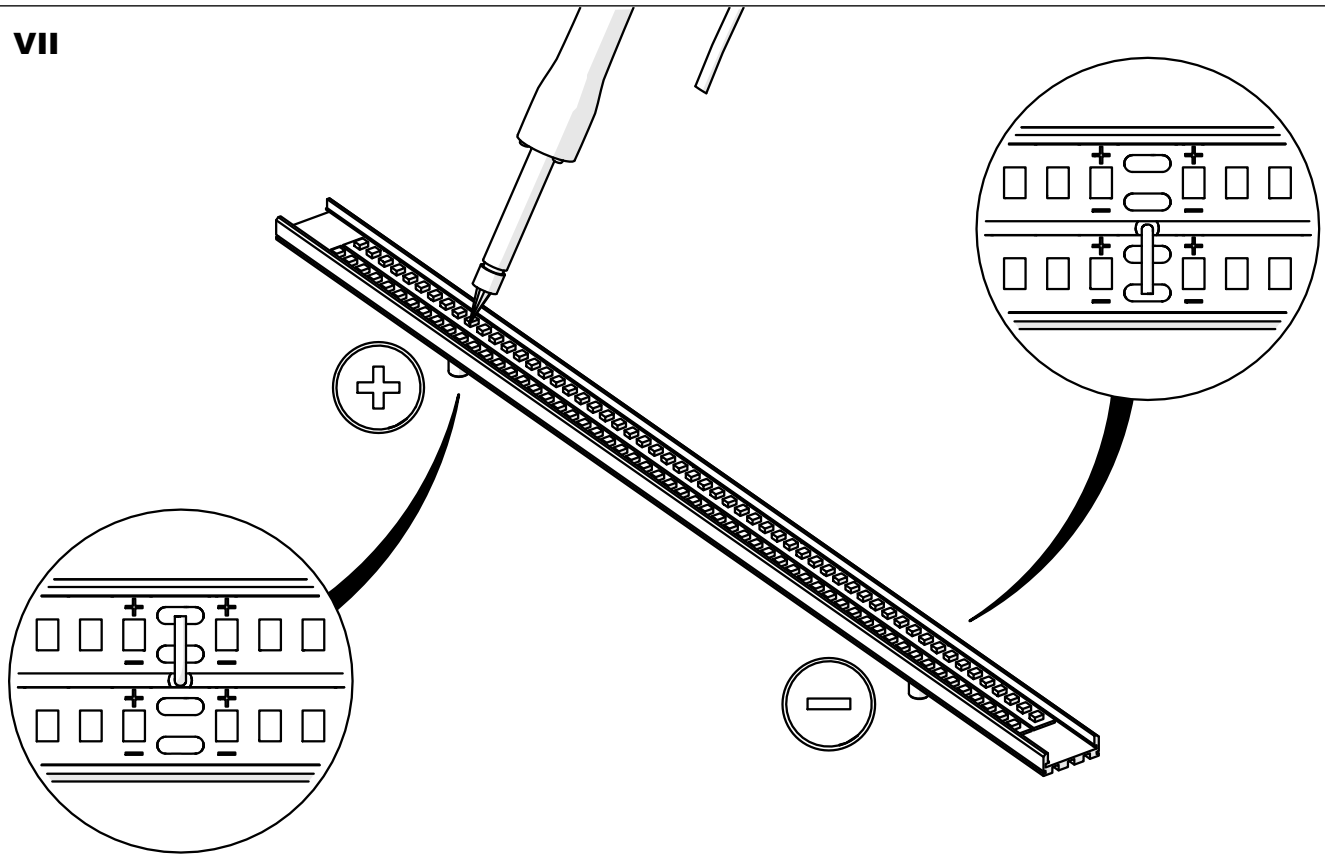
**V**



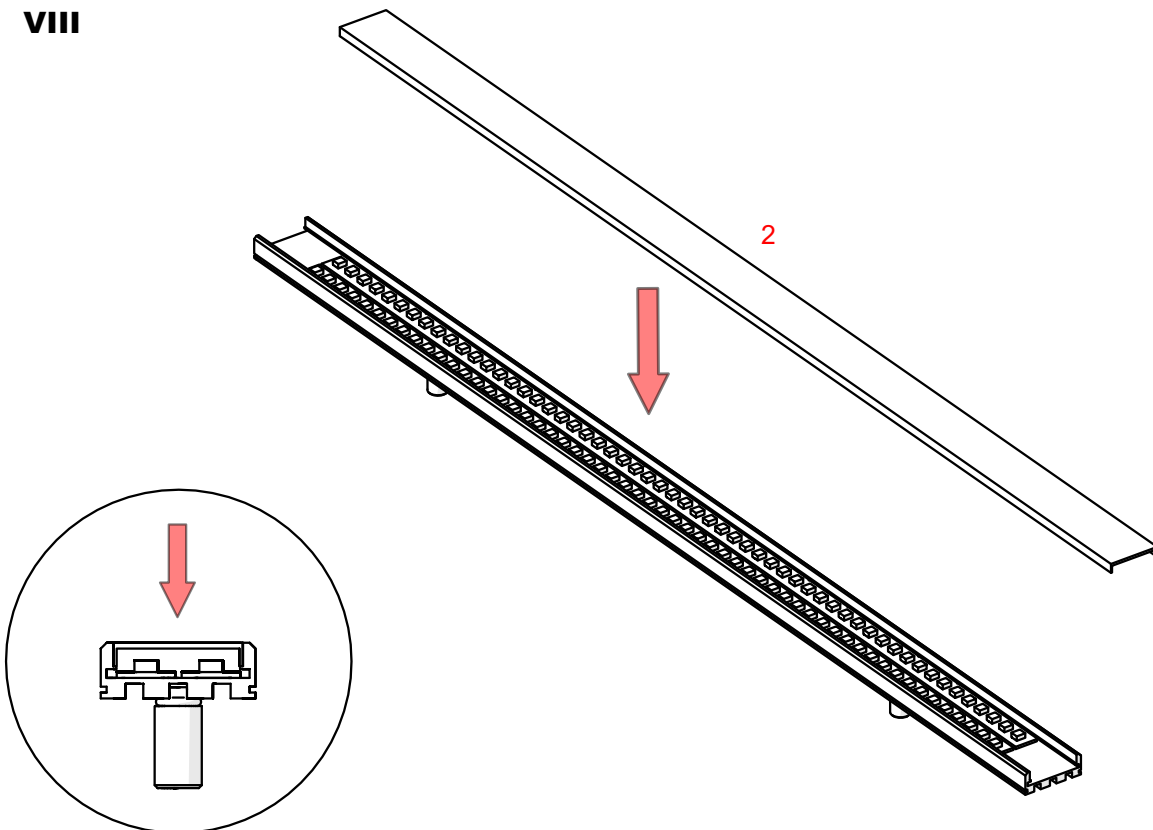
**VI**



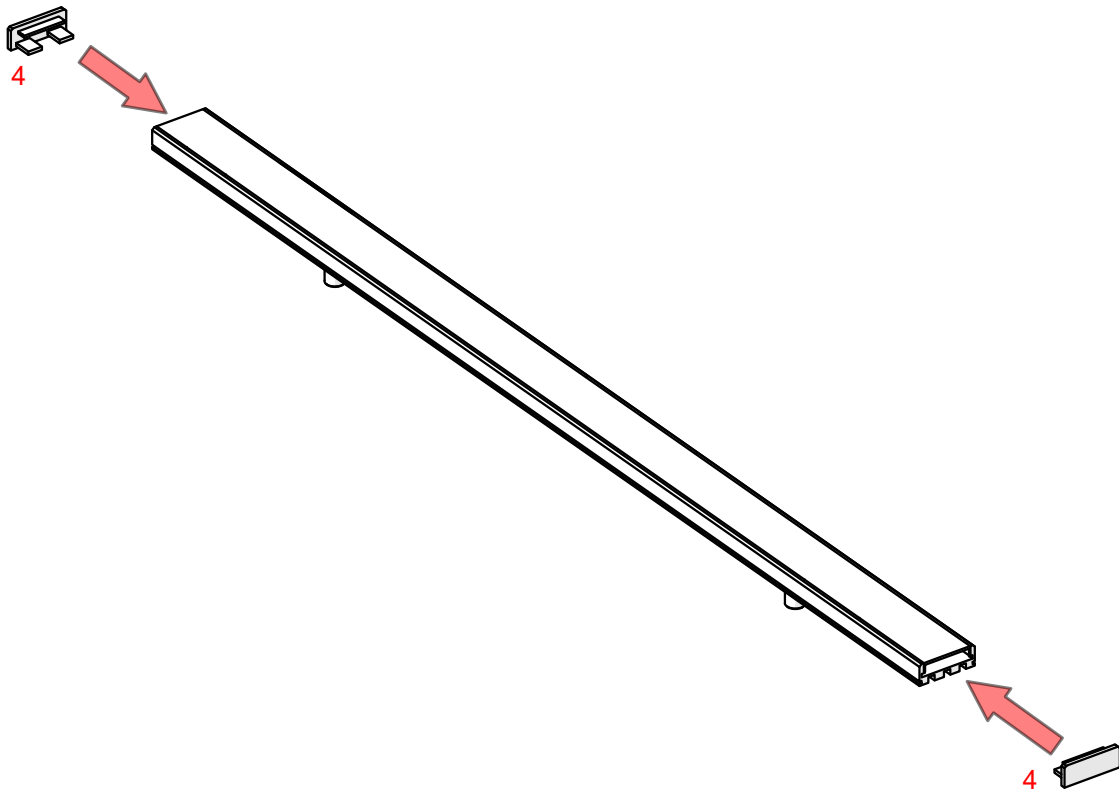
**VII**



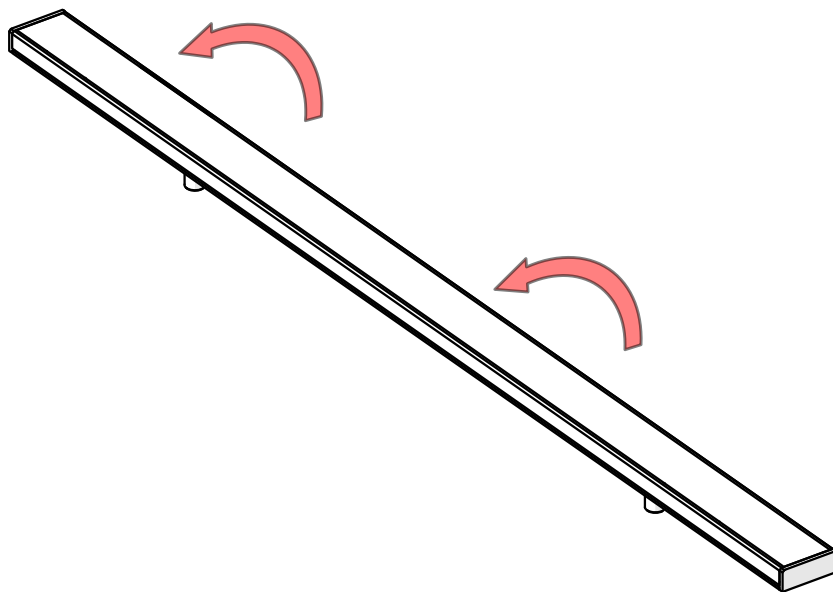
**VIII**



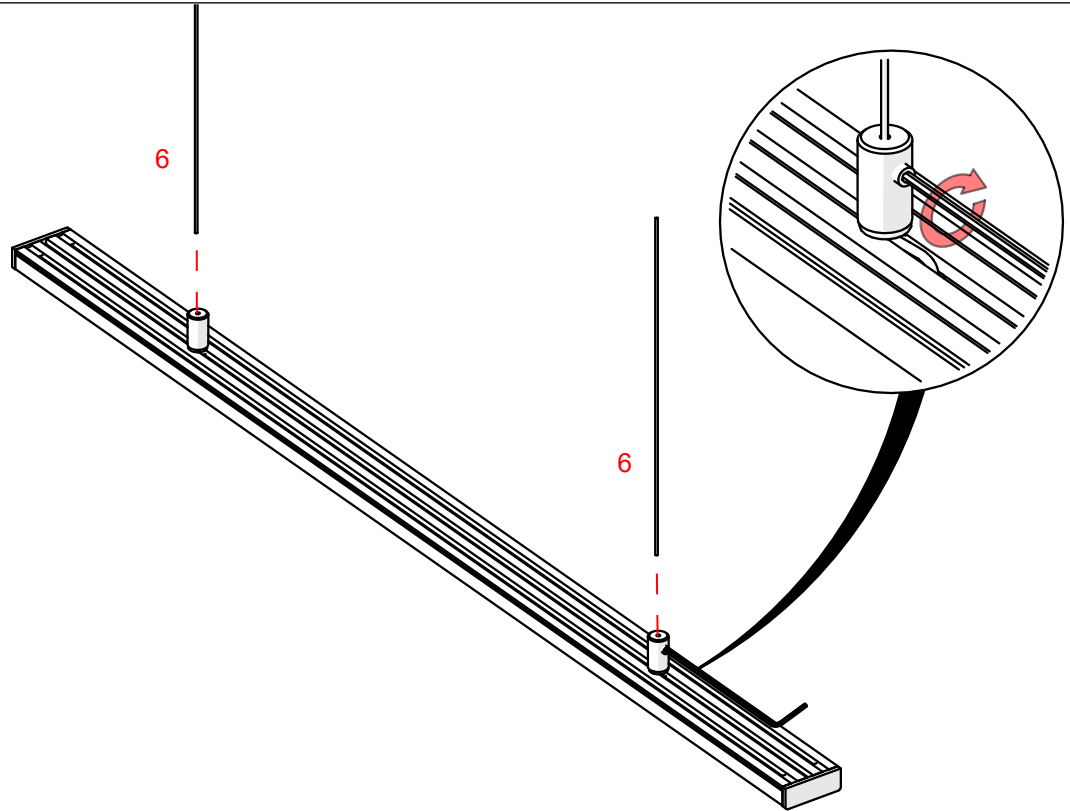
**IX**



**X**



**XI**



**XII**

