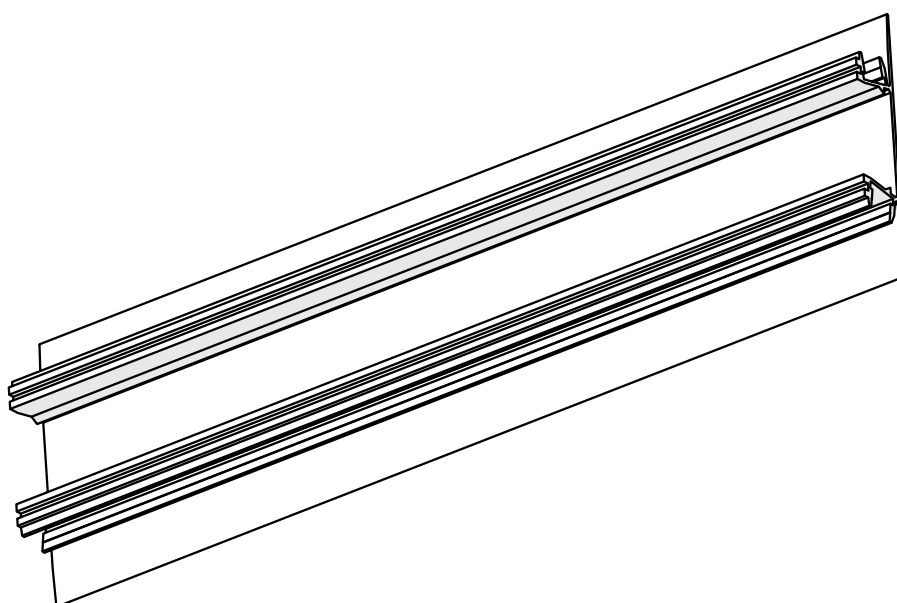
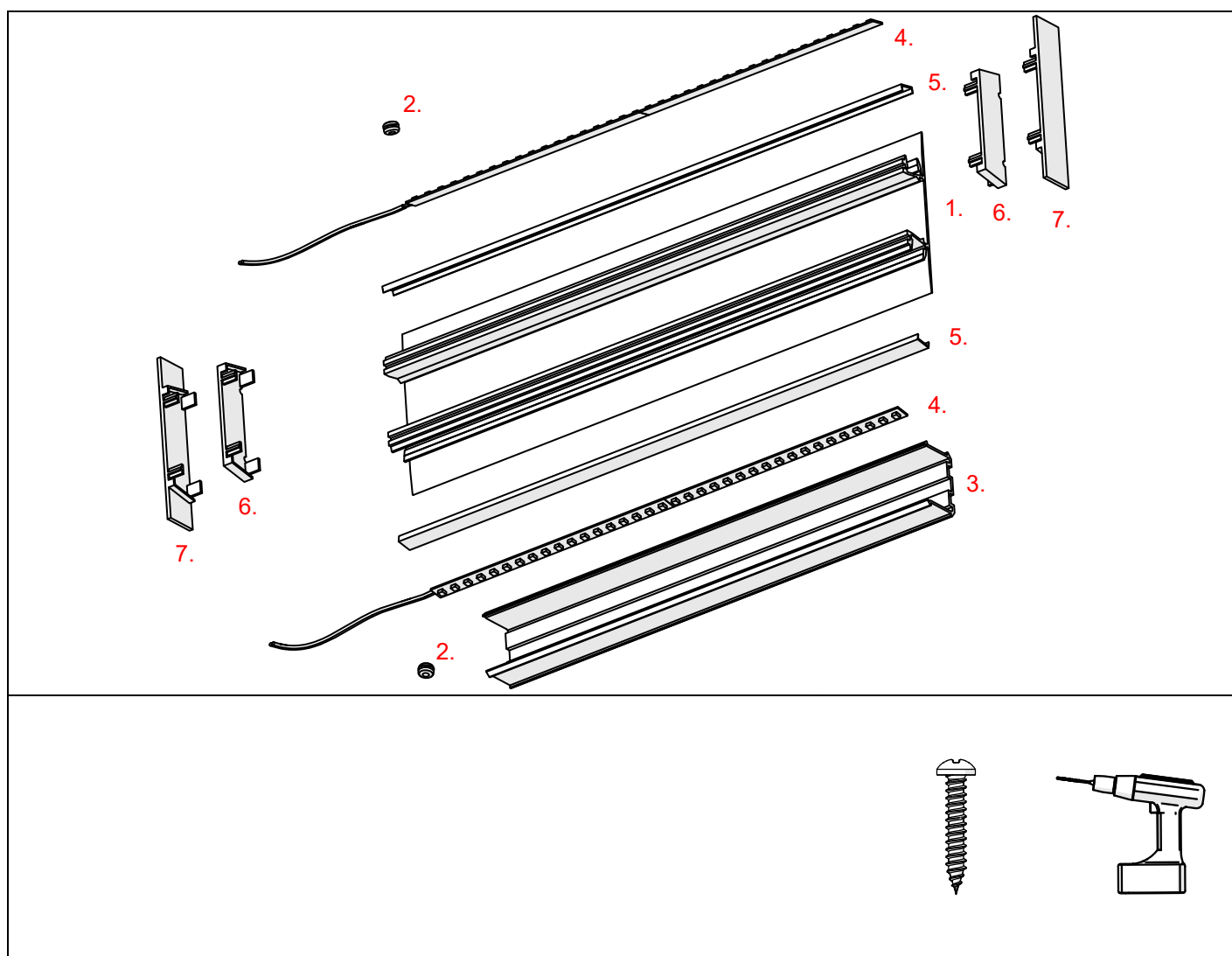


PLAKIN-DUO Profile



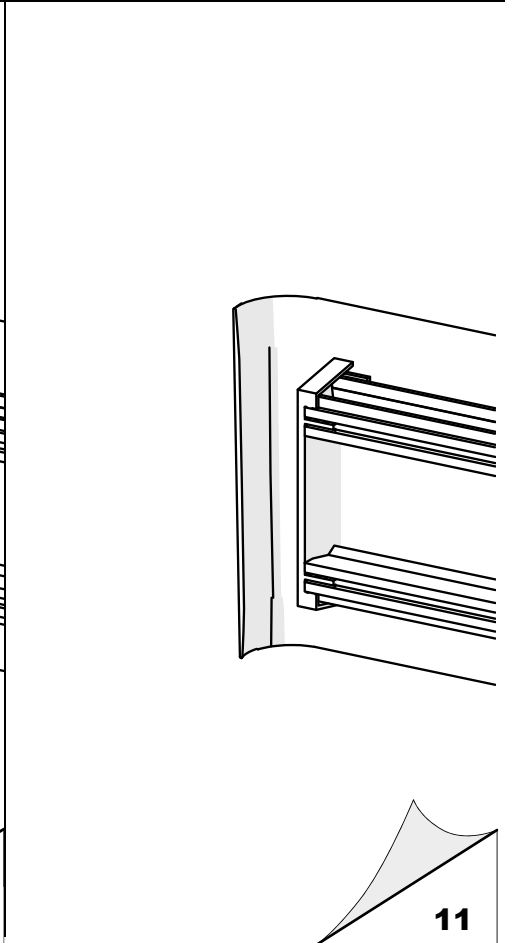
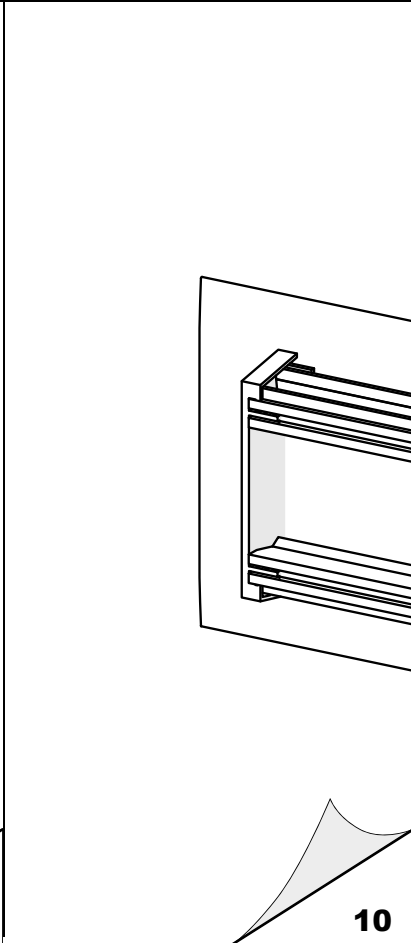
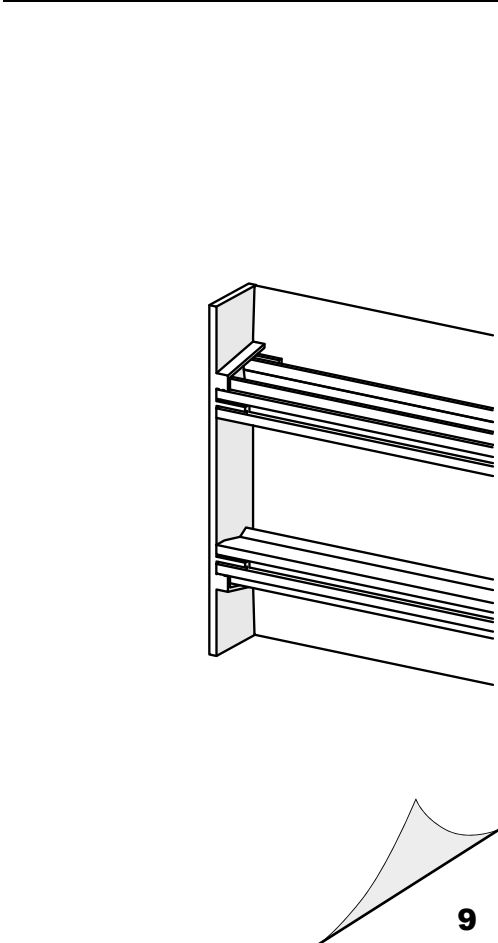
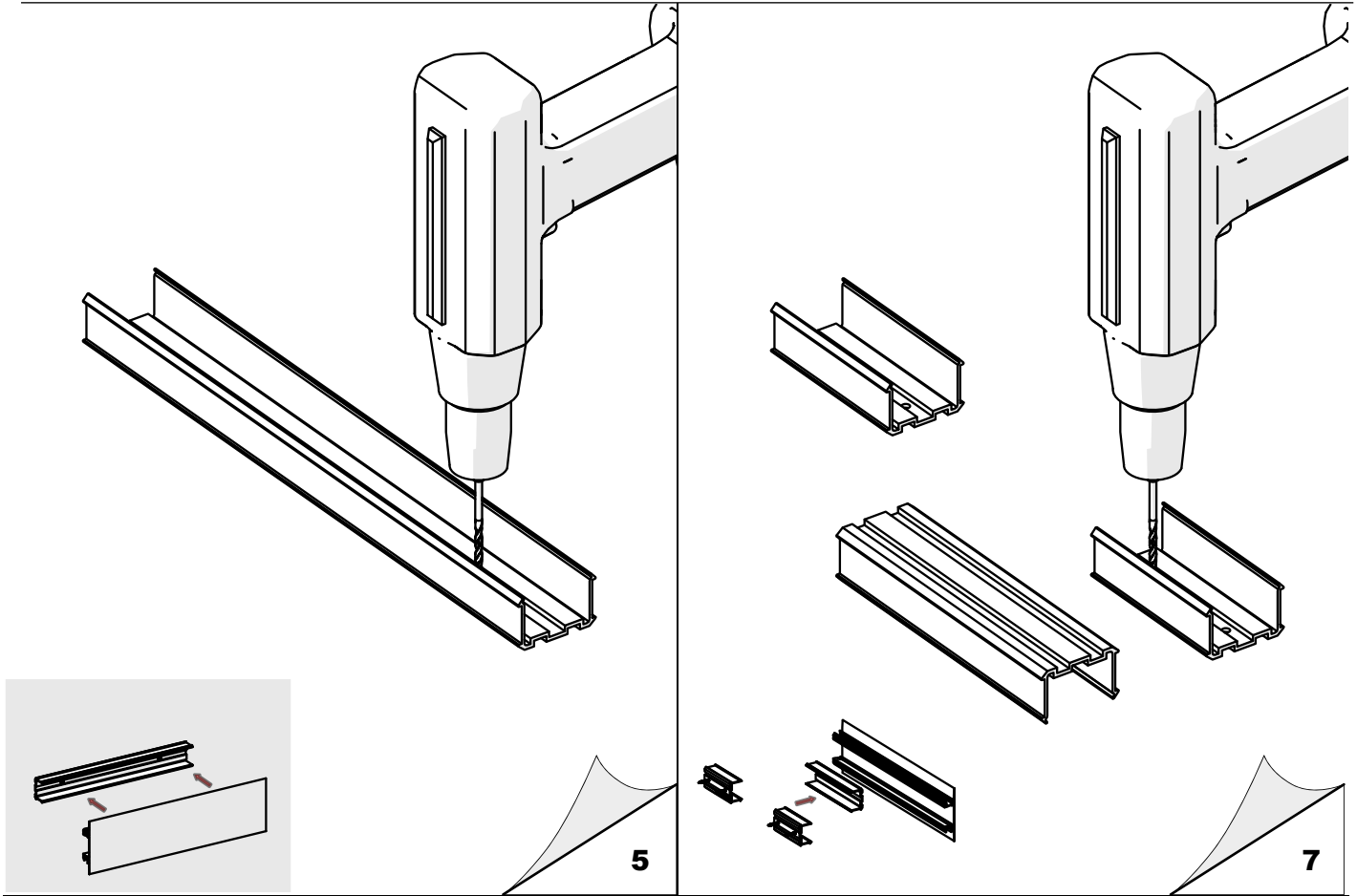


1. PLAKIN-DUO Profile (Ref. C4106)
2. Gland*
3. T-40 mounting strip (Ref. 70608)
4. LED tape*
5. Cover*
6. PLAKIN-DUO-IN End cap (Ref. C24470)
7. PLAKIN-DUO End cap (Ref. C24469)

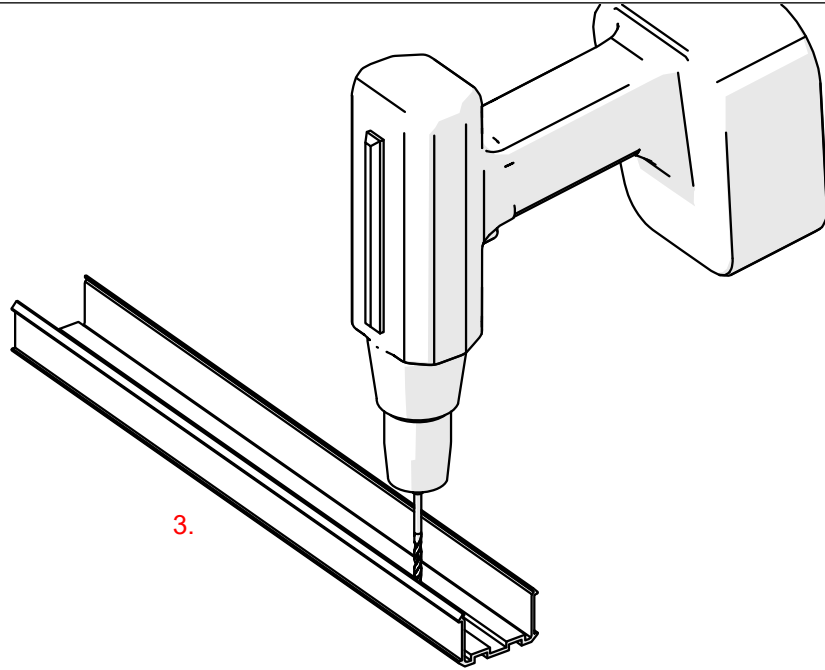
* The full range of accessories and electronics is available at www.KlusDesign.com

NOTE! ! All LED tapes must be connected to a 12 V or 24 V power supply.

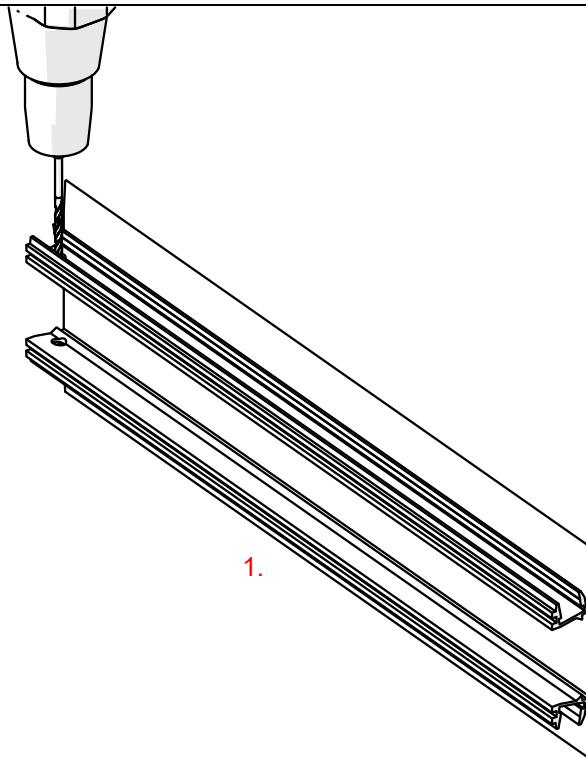
IMPORTANT: Not all possible mounting procedures are presented here. More mounting procedures and related accessories can be found at www.KlusDesign.eu. Drawings in these instructions are simplified and only approximate the actual shapes.



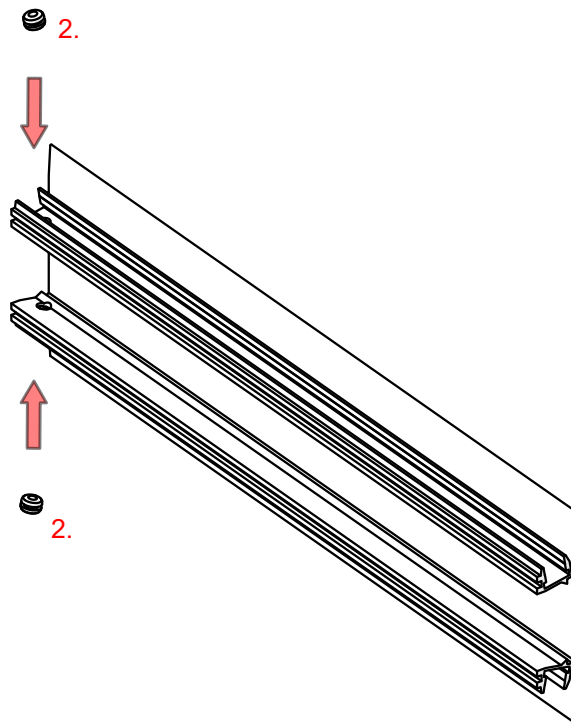
I



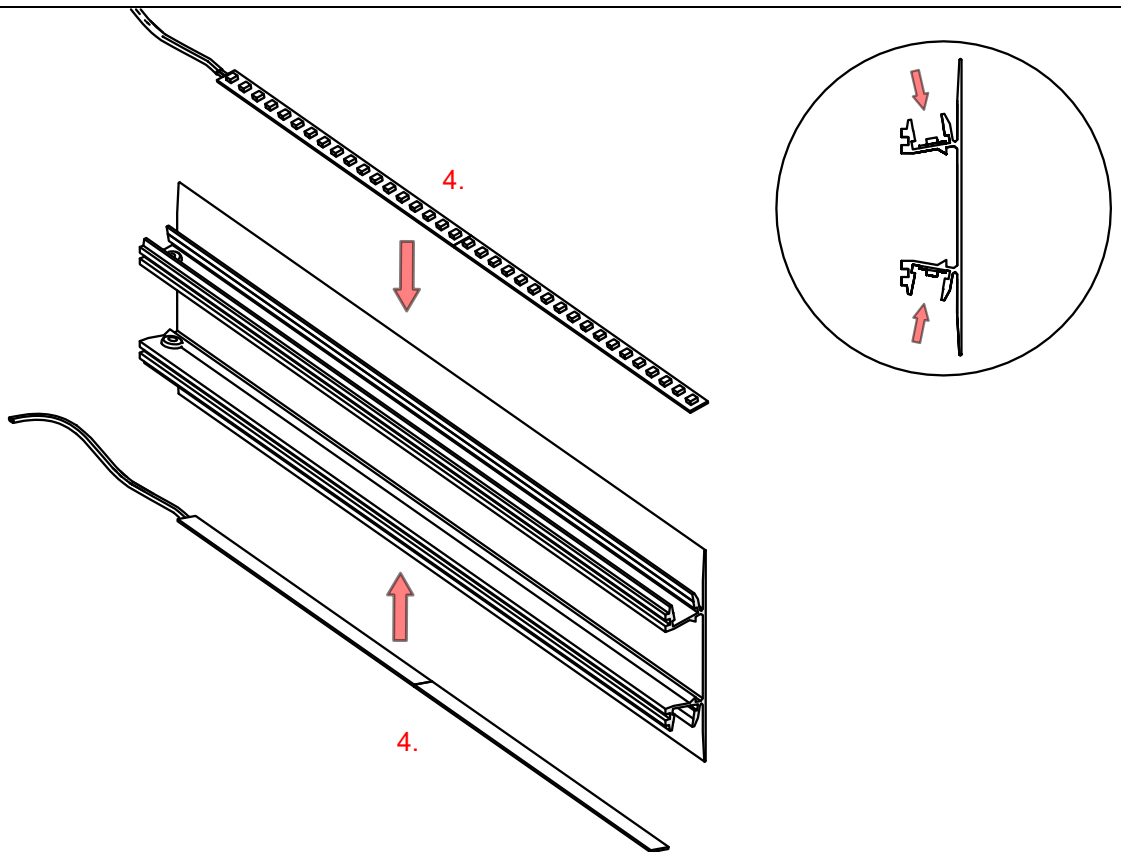
II



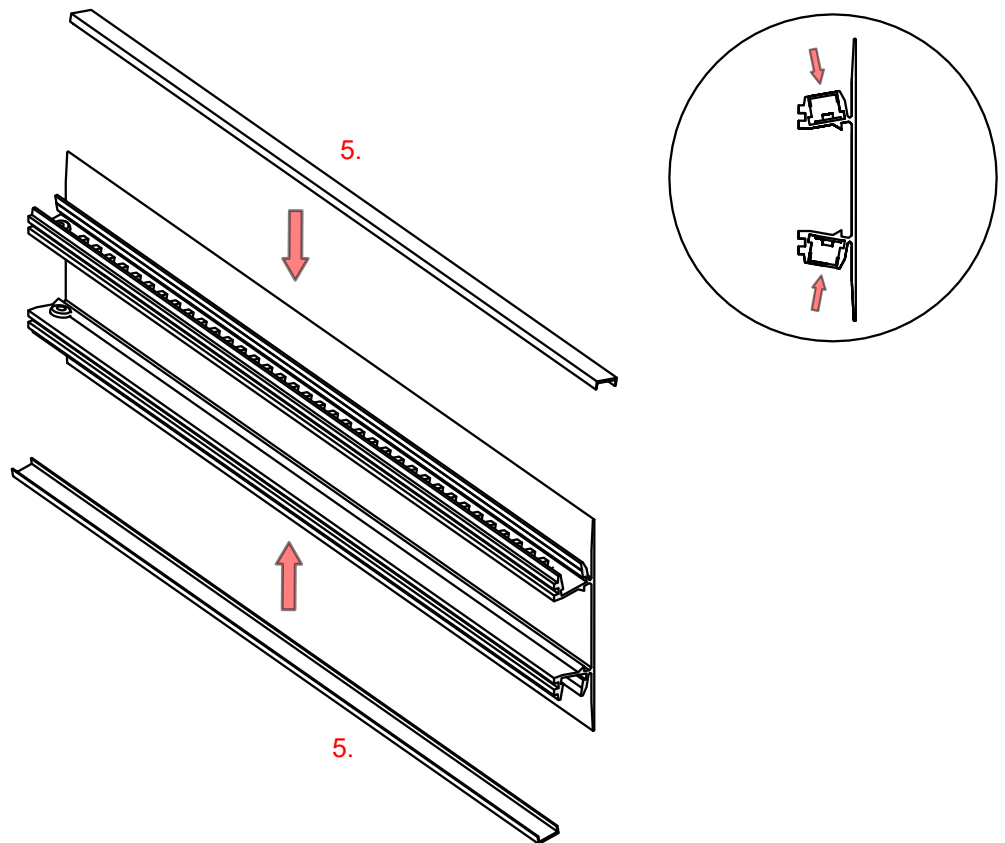
III



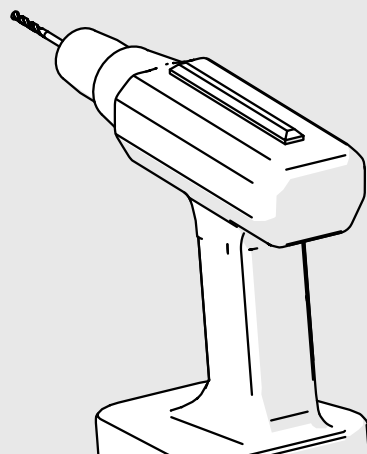
IV



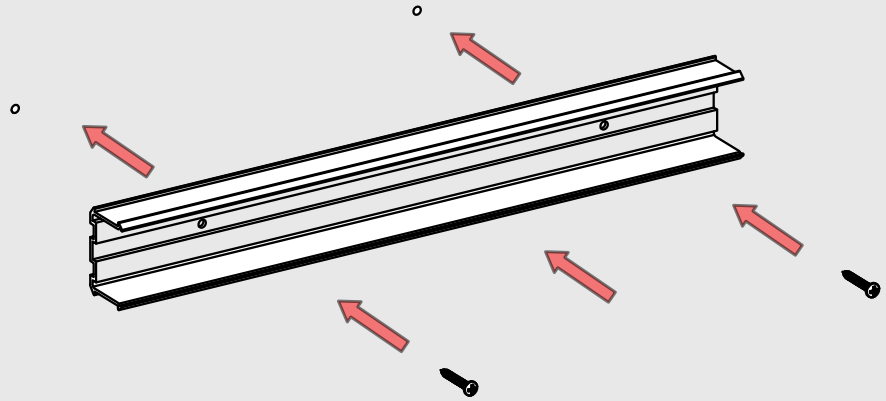
V



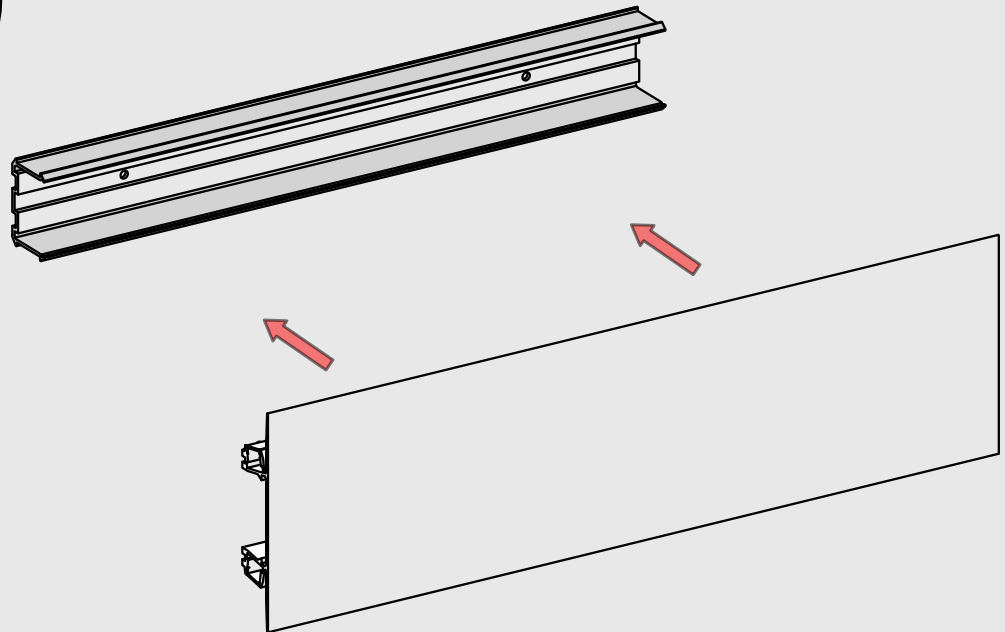
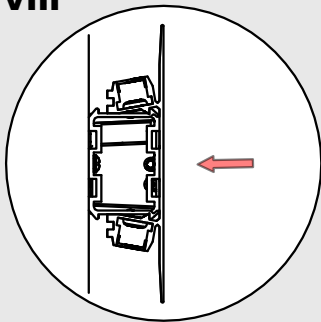
VI



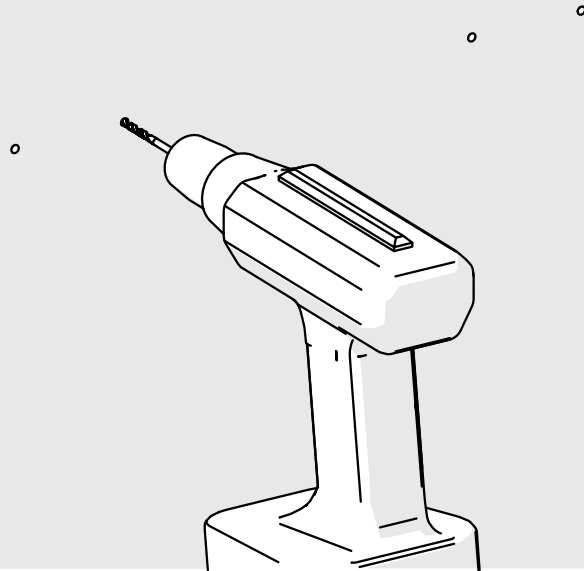
VII



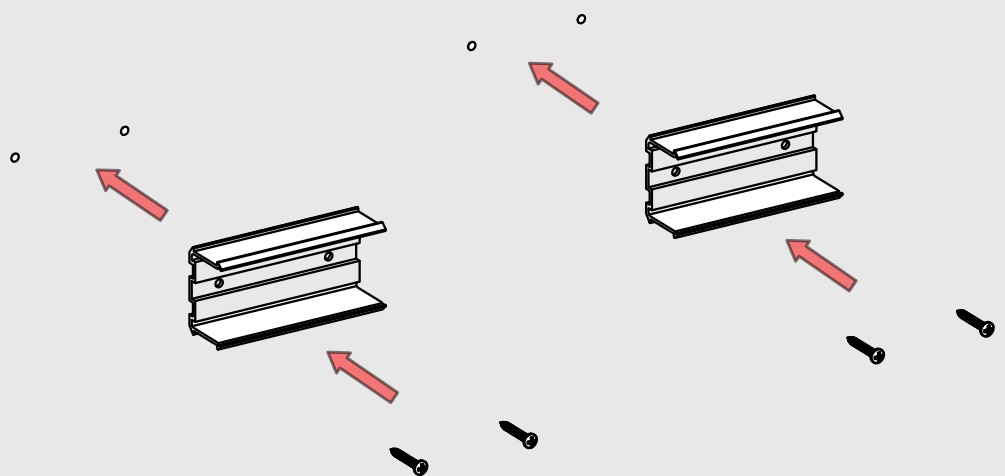
VIII



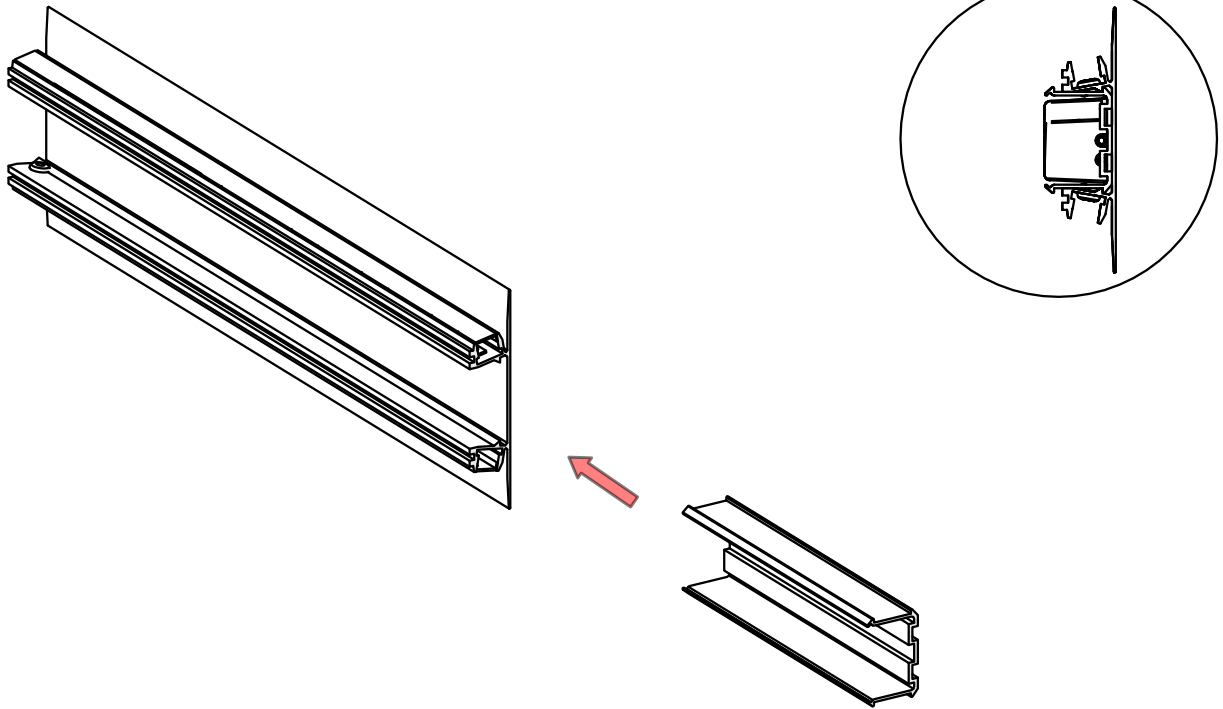
IX



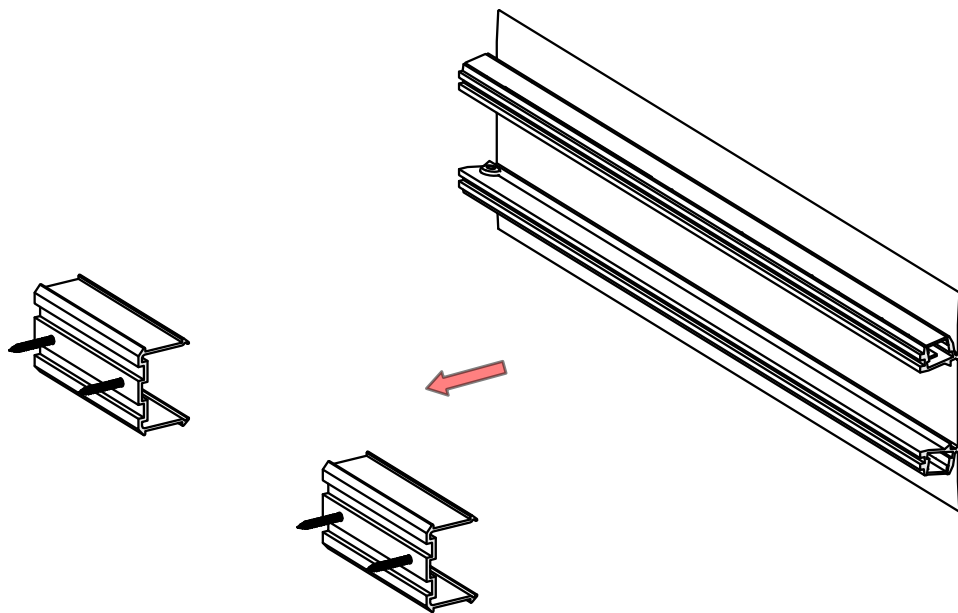
X



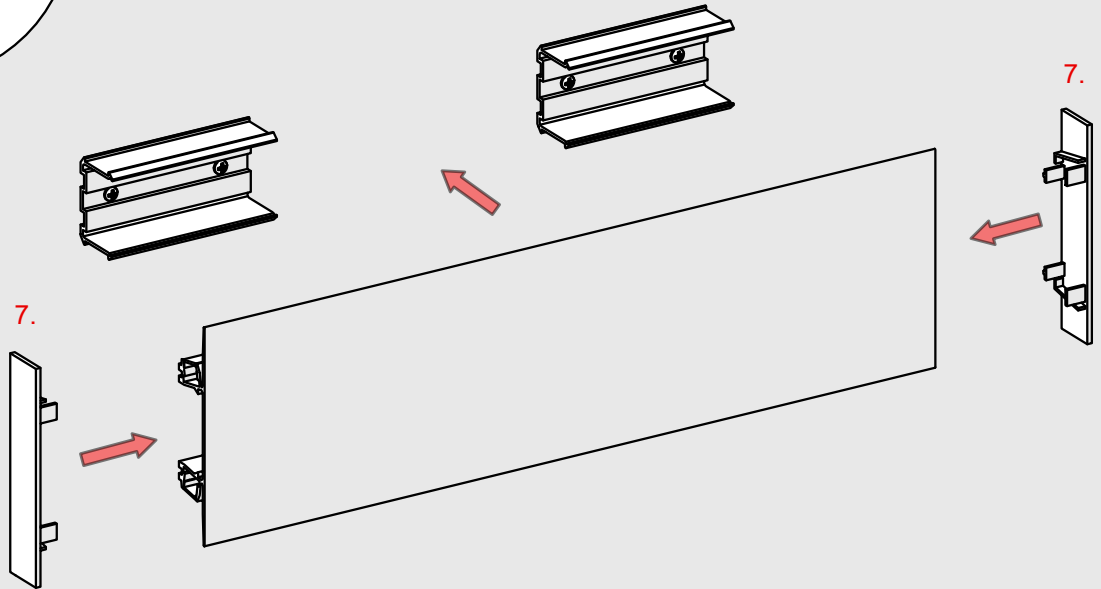
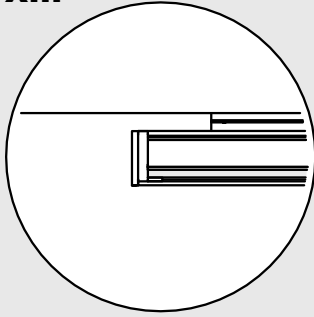
XI



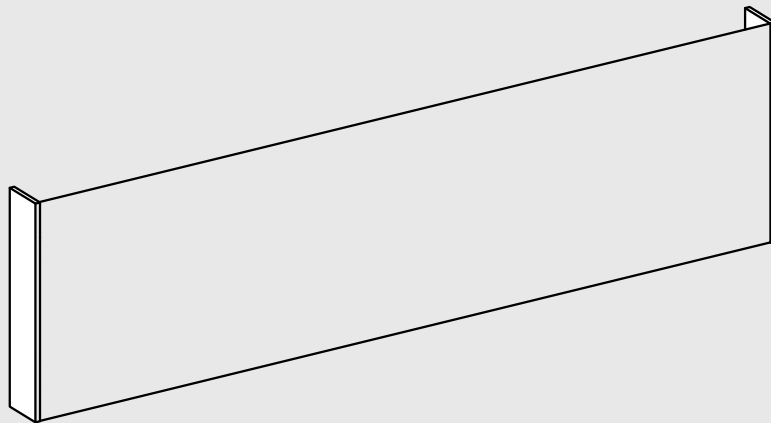
XII



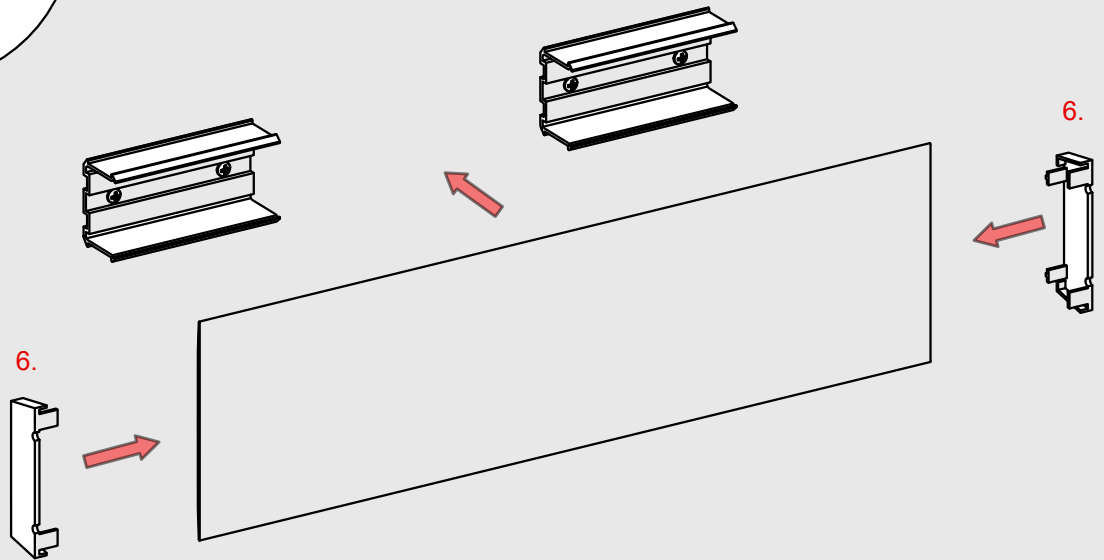
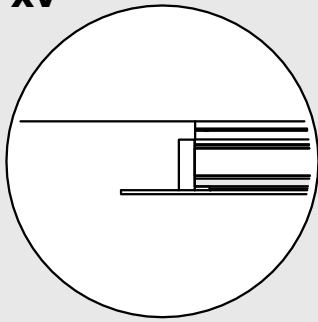
XIII



XIV



XV



XVI

