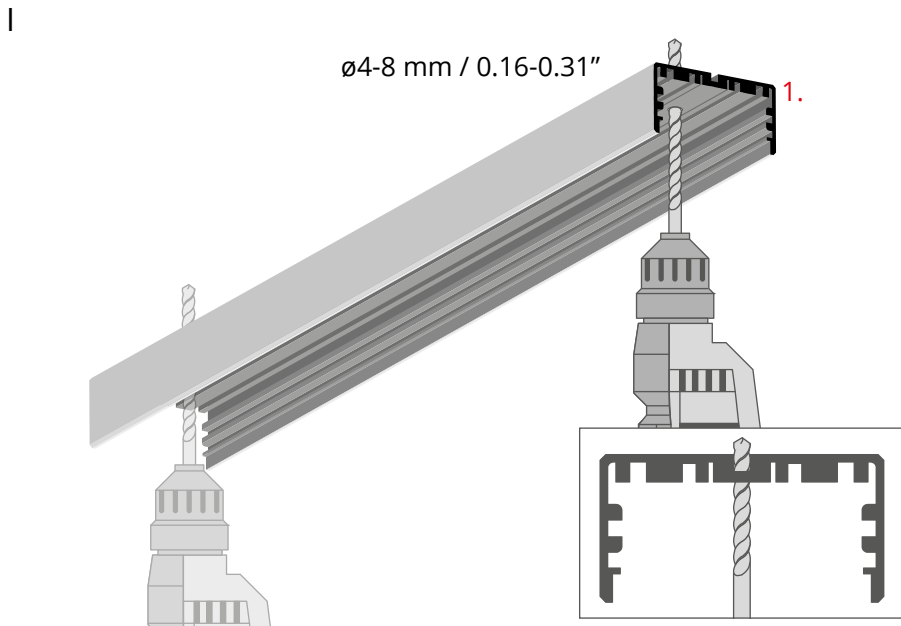


- | | |
|----------------------------------|------------------------------|
| 1. LIPOD-50 profile (Ref. C2609) | 4. Threaded rod* |
| 2. LED strip* | 5. End cap* |
| 3.1 Fastener (item 3.1)* | 6. Bolt* |
| 3.2 Fastener (item 3.2)* | 7. Cover* |
| 3.3 Fastener (item 3.3)* | 8. Ceiling fastener* |
| 3.4 Fastener (item 3.4)* | 9. Power supply (12 V/24 V)* |
| 3.5 Fastener (item 3.5)* | |
| 3.6 Fastener (item 3.6)* | |
| 3.7 Fastener (item 3.7)* | |
| 3.8 Fastener (item 3.8)* | |
| 3.9 Fastener (item 3.9)* | |

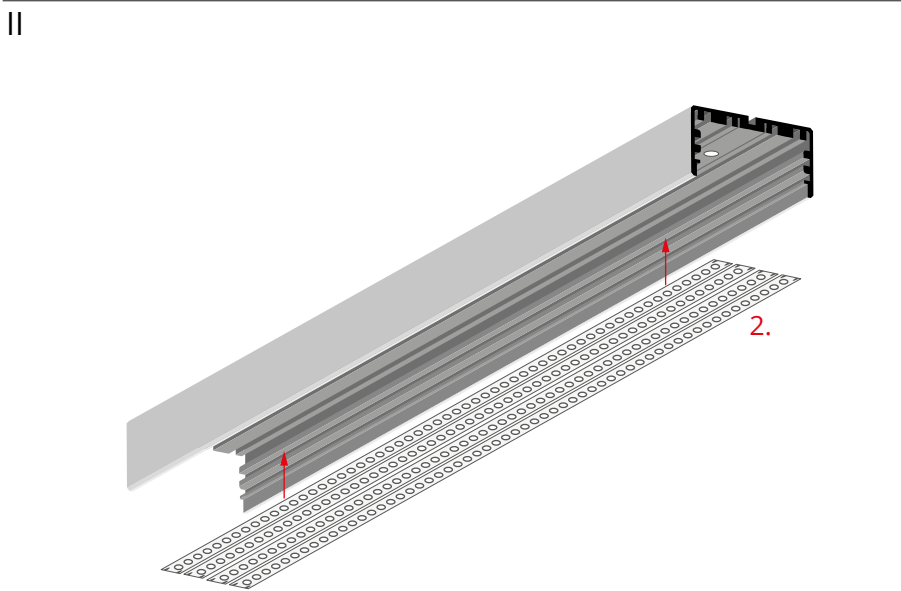
*The full range of accessories and electronics is available at www.KlusDesign.com

NOTE! All LED tapes must be connected to a 12 V or 24 V power supply.

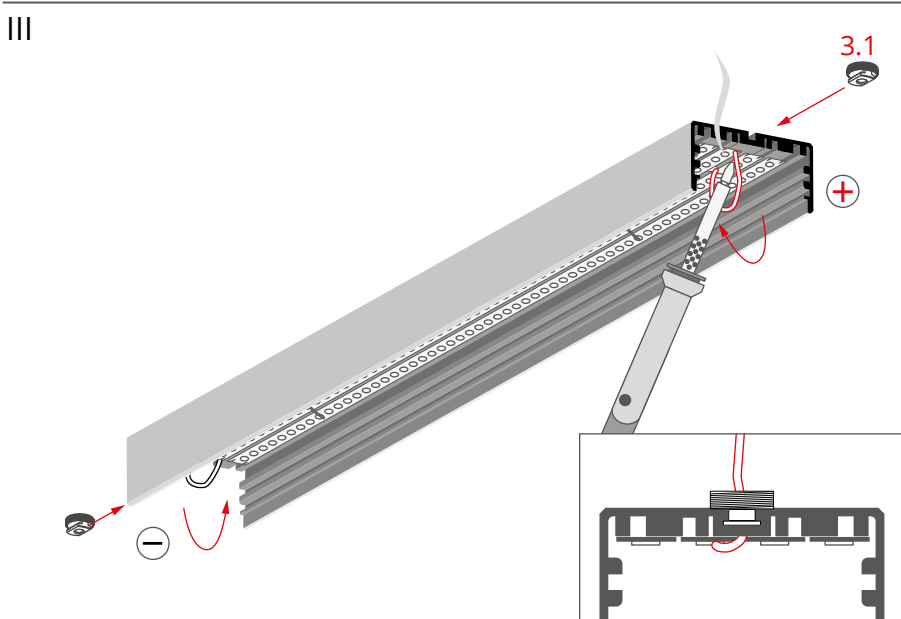
IMPORTANT: Not all possible mounting procedures are presented here. More mounting procedures and related accessories can be found at www.KlusDesign.com. Drawings of extrusions and accessories in these instructions are simplified and only approximate the actual shapes.



Drill holes for fasteners in the LIPOD-50 profile (1).



Adhere the LED strips (2) in the profile.

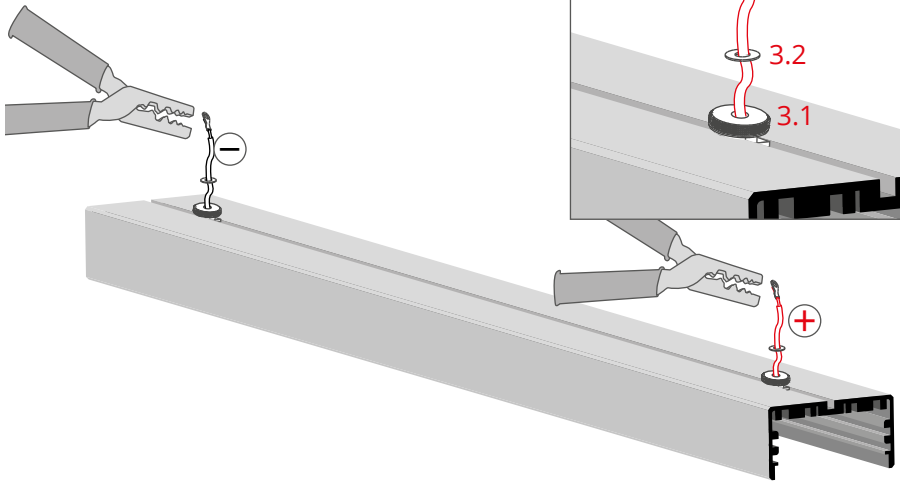


Slide fastener items (3.1) into the channel on the back of the profile and over the drilled holes.

Make bridges between the LED strips and route the wires with current poles through the drilled holes and items (3.1).

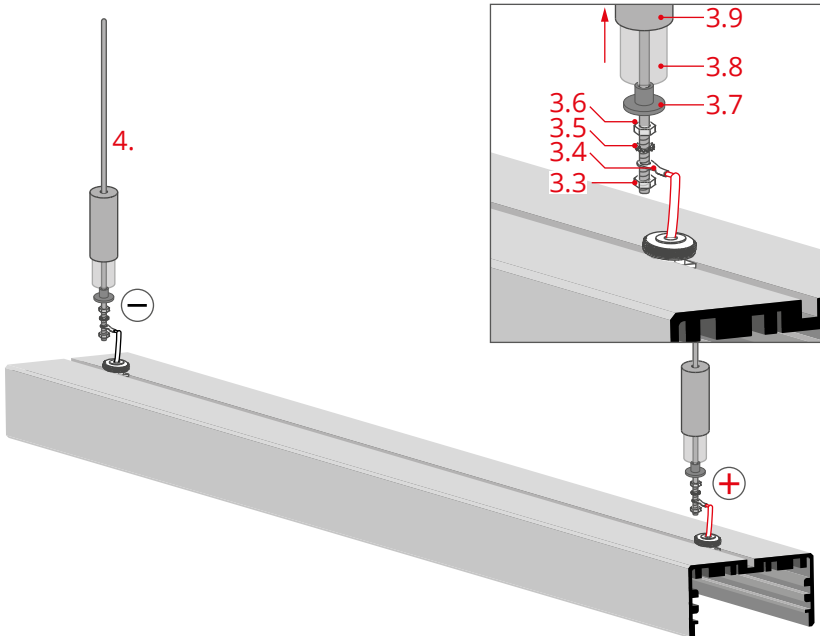
(More information on the suspension systems is available on the website).

IV



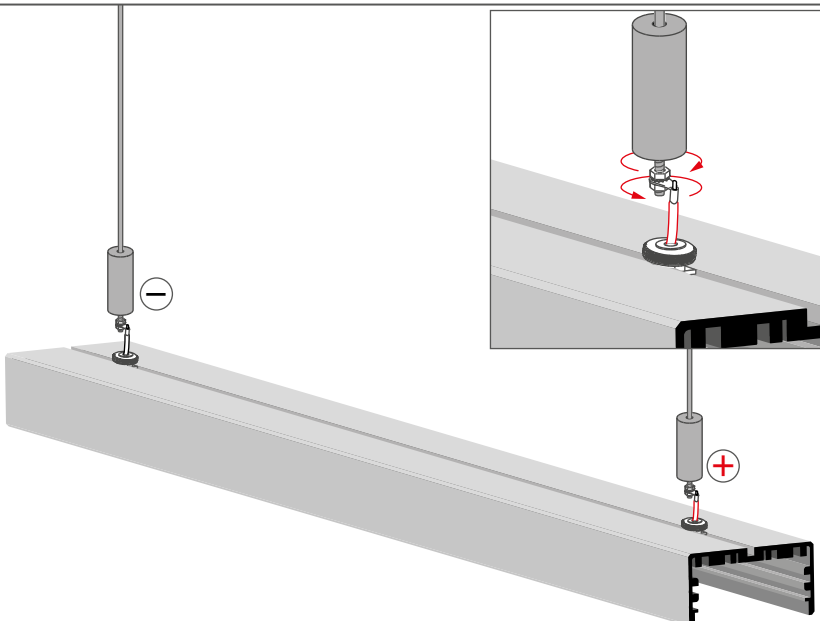
Run the cables through the items (3.1, 3.2) and to item (3.4). Squeeze items (3.4), e.g. using a crimping tool so that the wire does not move.

V



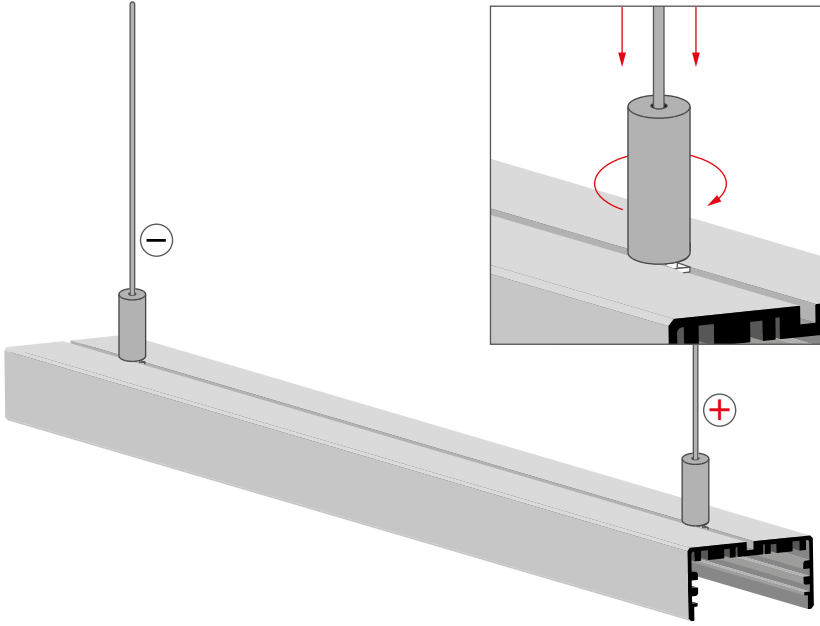
Slide items (3.8, 3.7) into the item (3.9) and put the threaded rod (4) through it. Mount the items (3.6; 3.5; 3.4; 3.3) on the thread.

VI



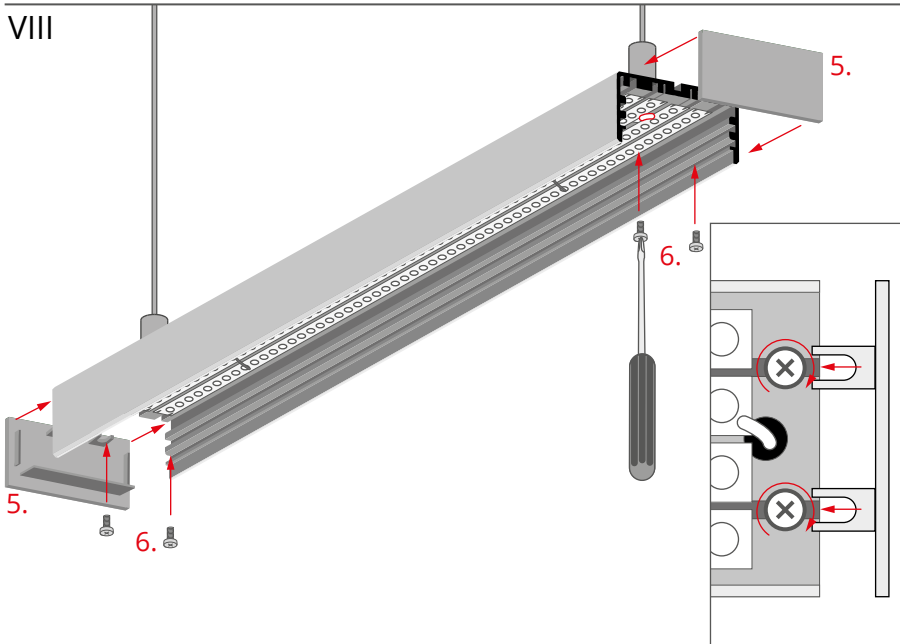
Arrange and secure all the items so that they fit inside the fastener.

VII



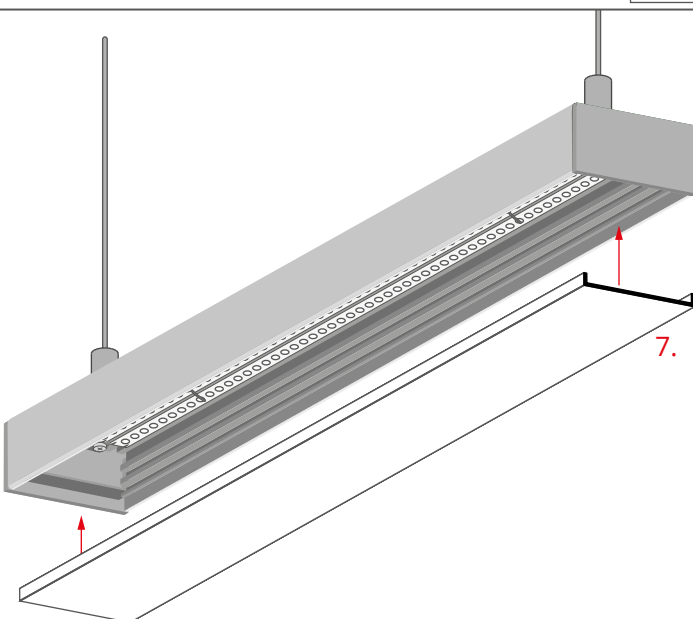
Screw the fastener to the profile.

VIII



Partially tighten the bolts of the end caps (6) in the threaded channels (as shown in the picture). Slide the end caps (5) into place and tighten the bolts (the end cap is equipped with bolt holes).

IX



Mount the cover (7).

X

Suspend the lighting fixture on the ceiling fasteners (8), connected to the power supply (12 V / 24 V) (9).

