

Parts needed to mount the KOZUS-50 extrusion



Extrusion (A)



End cap (B)



Cover (C)



LED strip (D)



Protective insert (E)

Tools needed for mounting:

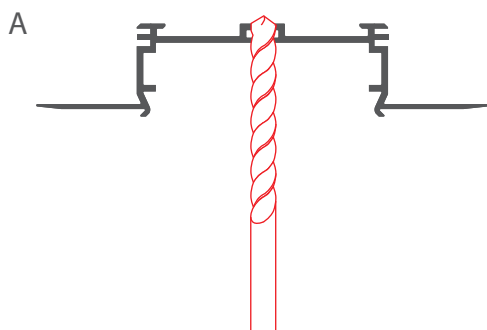
- mounting glue

The **TECH-50 PROTECTIVE INSERT** ensures that the extrusion slot remains wide enough for the snap-in cover (its use is **NECESSARY** during mounting and finishing works).

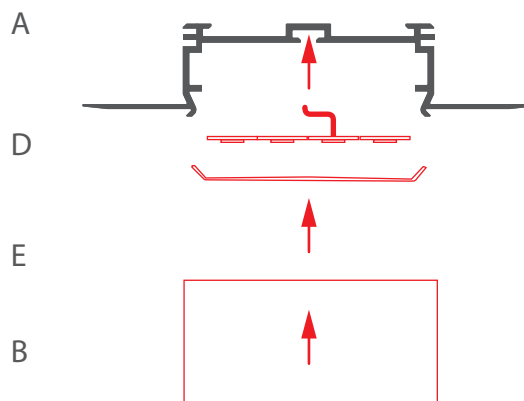
WARNING! All LED strips should be connected to a 12 V or 24 V power supply.

IMPORTANT: The mounting instructions present the basic form of assembly.
More methods and related accessories can be found at www.KlusDesign.com

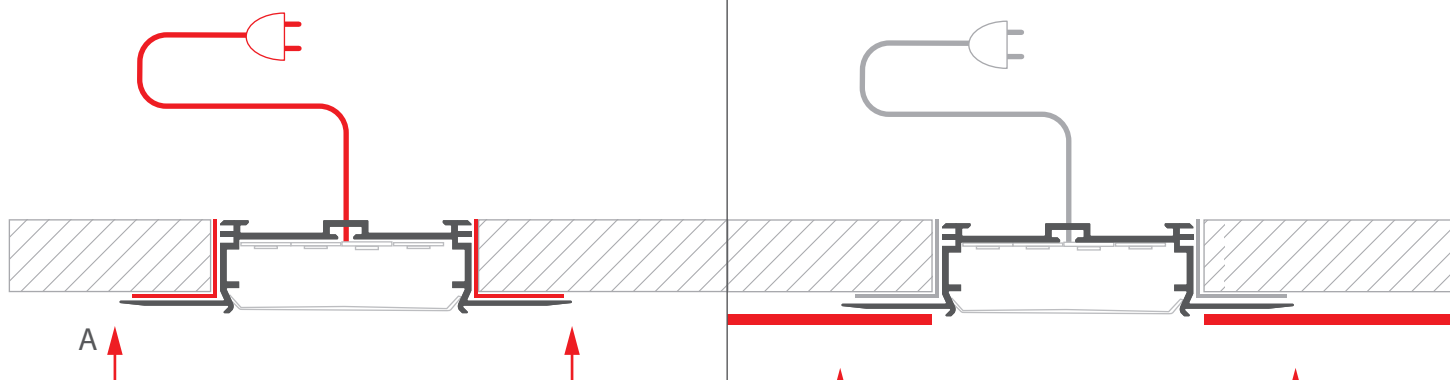
1. Drill a hole in the extrusion for the power cable.



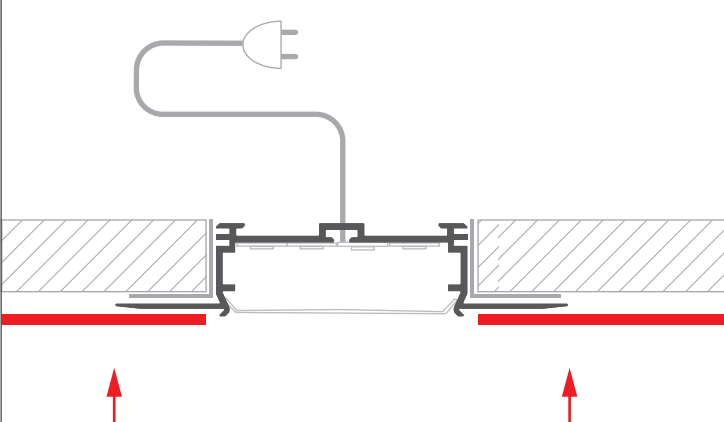
2. Mount the LED strip (D) in the extrusion, lead out the power cable, insert the protective insert (E) and then insert the end cap (B).



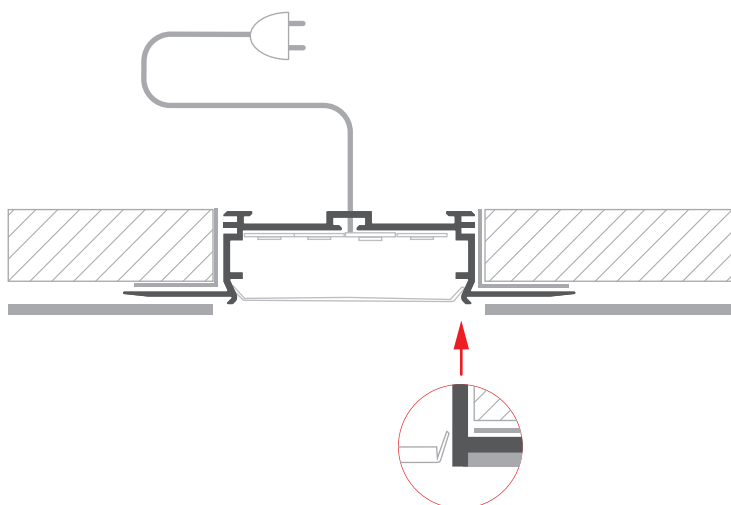
3. Connect the power cable and attach the fixture (A) to the ceiling surface with glue.



4. Apply a layer of plaster to the extrusion and ceiling, and then paint the surface to finish.



5. Slide a sharp tool between the extrusion and the cover (on both sides of the protective insert) to cut off the layer of plaster and paint from the protective insert.



6. Insert the cover (C) in place of protective insert (E).

