

- 1.1 KOZEL-10 extrusion (Ref. C1575)
- 1.2 Protective insert*
- 2. Connector*
- 3. Gland*
- 4. End cap*
- 5. Power supply (12 V / 24 V)*
- 6. PIKO-ZM extrusion (Ref. C1168)
- 7. Fastener*
- 8. Steel wire*

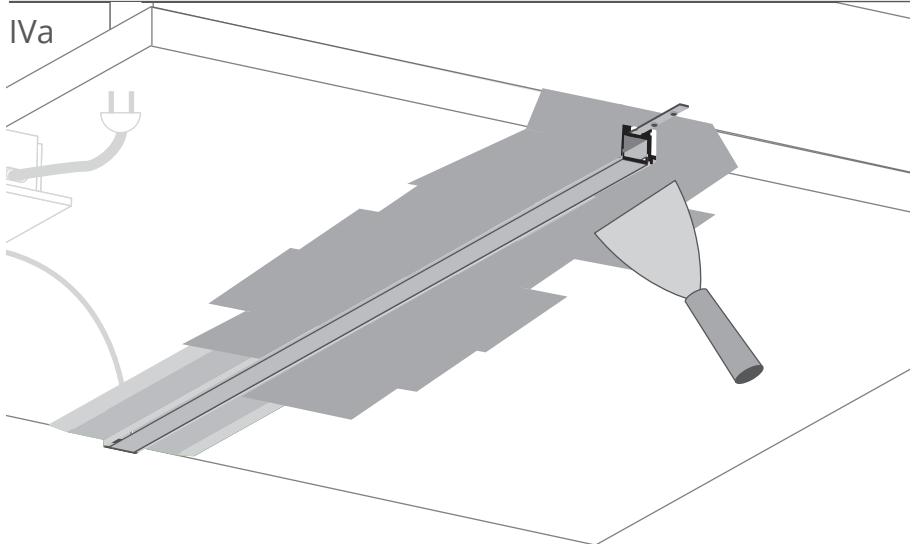
- 9. Ceiling fastener*
- 10. LED tape*
- 11. Cover*

*The full range of accessories and electronics is available at www.KlusDesign.com

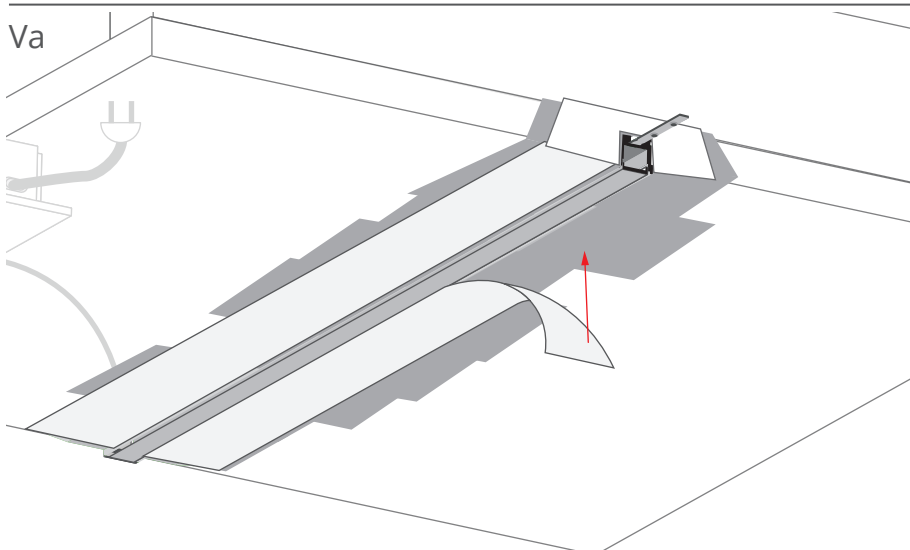
NOTE! All LED strips must be connected to a 12 V or 24 V power supply.

IMPORTANT: Not all possible mounting procedures are presented here. More mounting procedures and related accessories can be found at www.KlusDesign.com. Drawings of extrusions and accessories in these instructions are simplified and only approximate the actual shapes.

| | |
|-------------|---|
| <p>Ia</p> | <p>Remove the protective insert (1.2) from the KOZEL-10 profile (1.1).</p> <p>Drill a hole for the power cable and insert the gland (3).</p> <p>Insert connector (2) into the channel on the back of the profile and tighten its locking bolts with an Allen wrench.</p> |
| <p>Ila</p> | <p>Feed the power cable from the power supply (5) through the pre-drilled hole. Insert the final, short section of the cable into the channel deep in the profile and reinsert the protective insert.</p> <p>Insert the end cap (4).</p> <p>The slot for the profile must be between 12 mm / 0.47" and 17 mm / 0.67".</p> |
| <p>IIla</p> | <p>Apply glue copiously on the profile walls indicated in the drawing.</p> <p>Glue the profile in the groove.</p> |

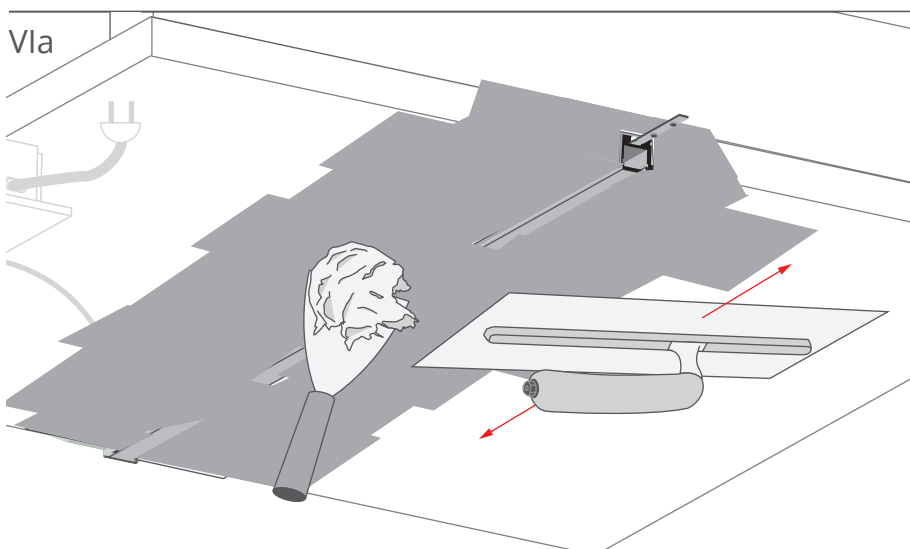


Apply glue under the TUFF-TAPE.



Glue the TUFF-TAPE tape where the profile wings touch the drywall.

Do not cover the protective insert with the tape.

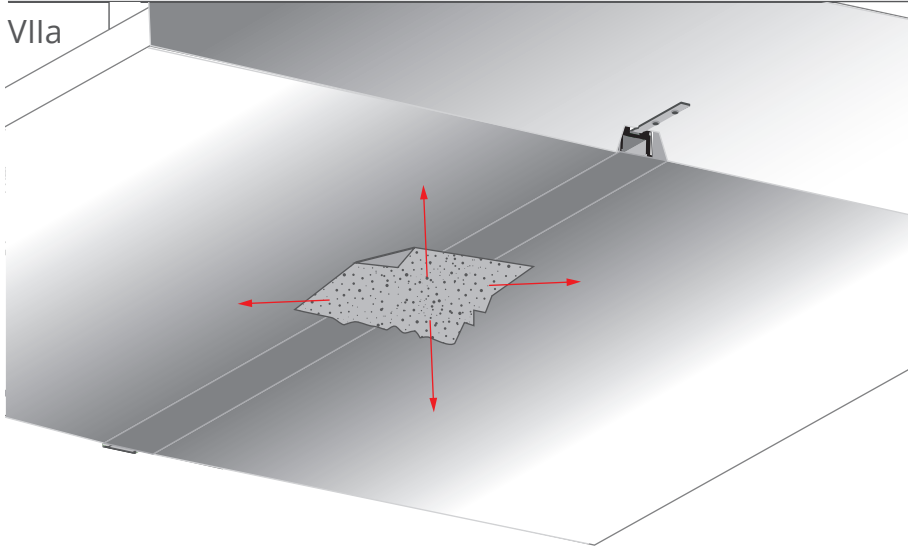


Apply plaster.
The protective insert keeps the inside of the profile clean.

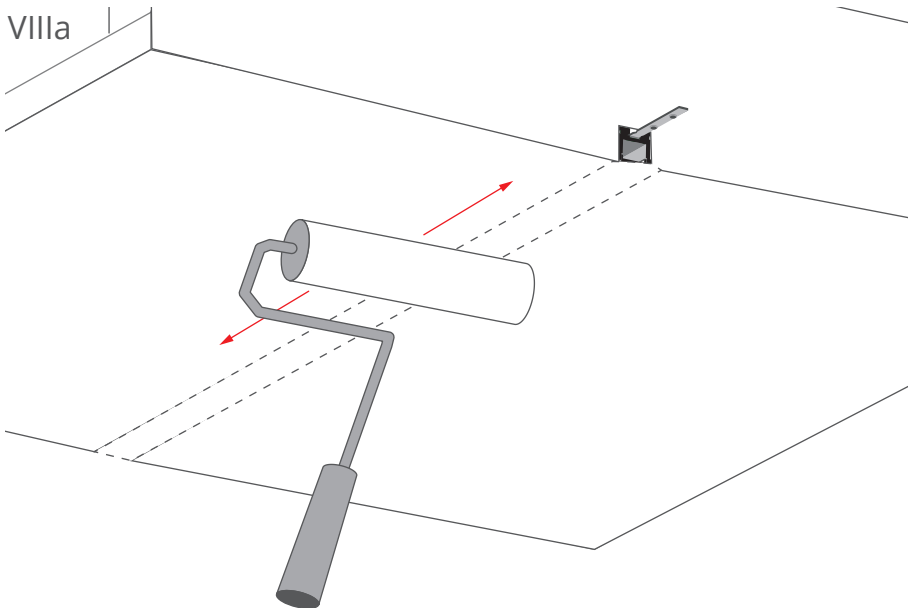
Make the surface even.

KOZEL-10 and PIKO-ZM - mounting instructions

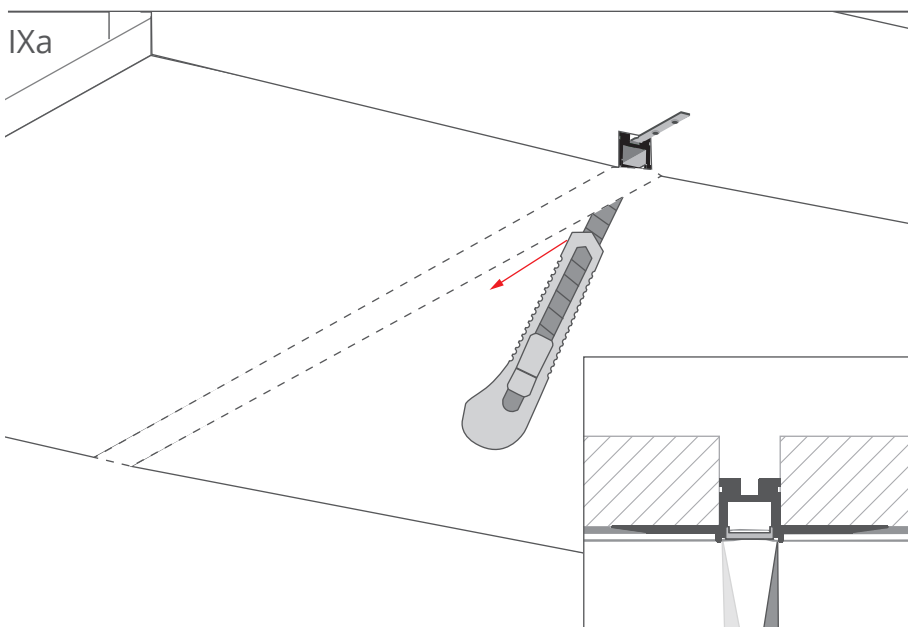
a) Installation of the KOZEL-10 in the groove



Sand the surface with sandpaper.



Prime and paint the surface.

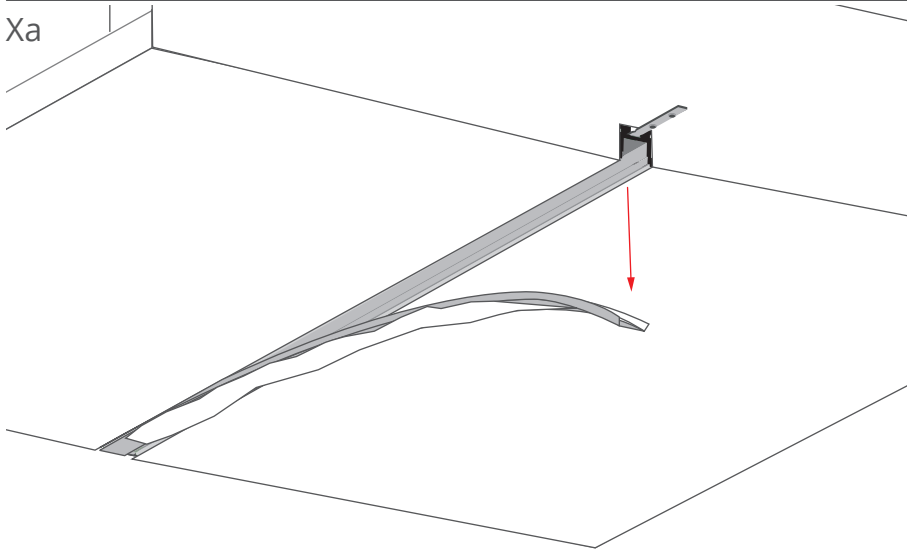


Cut layers of paint and plaster at the junction of the aluminum edge of the profile and the protective insert.

KOZEL-10 and PIKO-ZM - mounting instructions

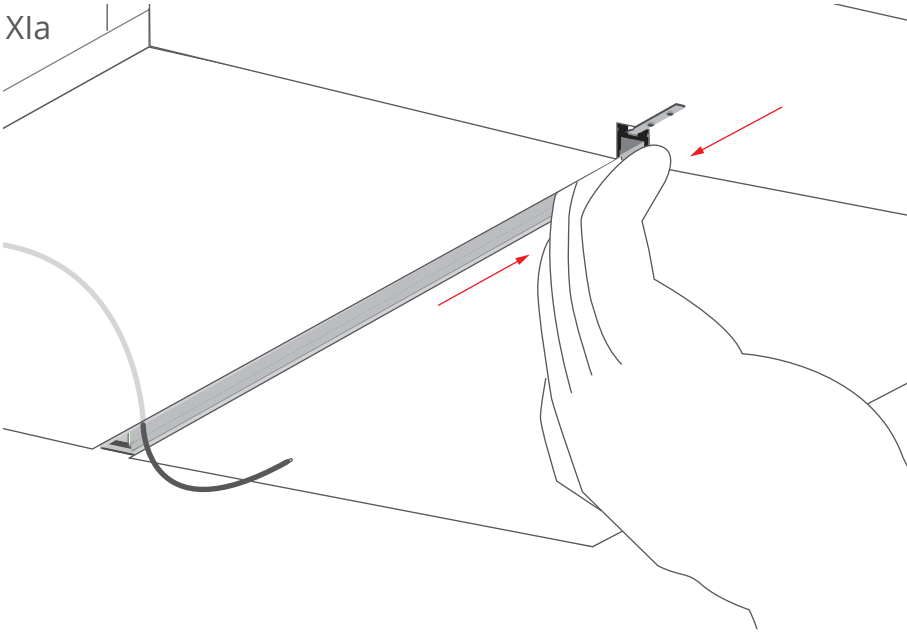
a) Installation of the KOZEL-10 in the groove

Xa



Gently remove the protective insert.

X1a



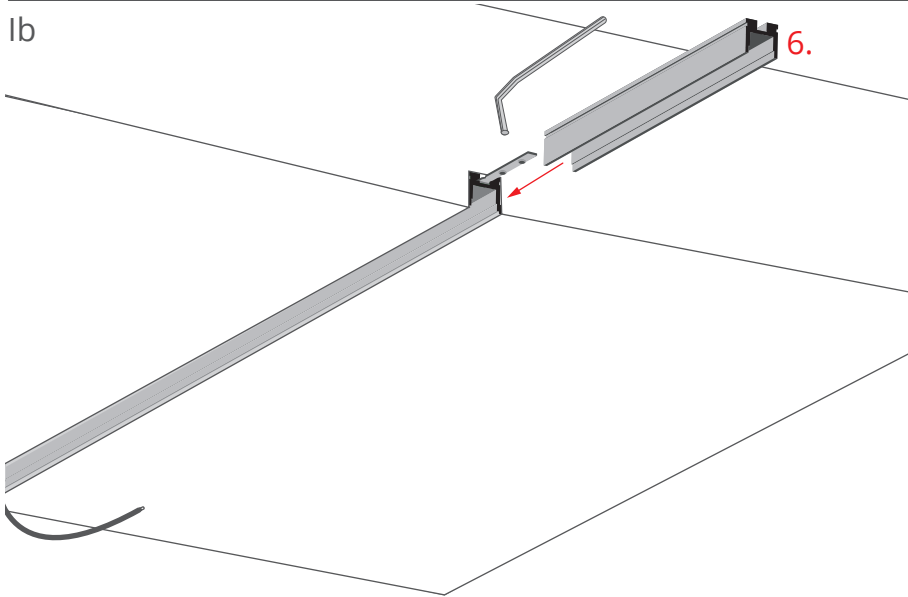
Clean and smooth the edges of the extrusion and its open end.

Remove the power cable from the inside of the profile channel.

KOZEL-10 and PIKO-ZM - mounting instructions

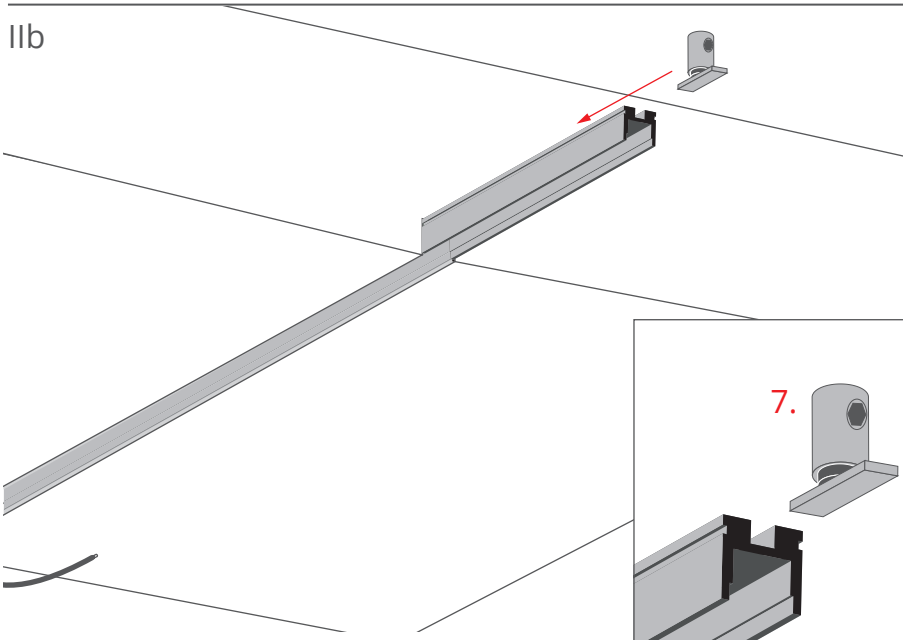
b) Installation of the PIKO-ZM extrusion as an extension of the lighting fixture

Ib



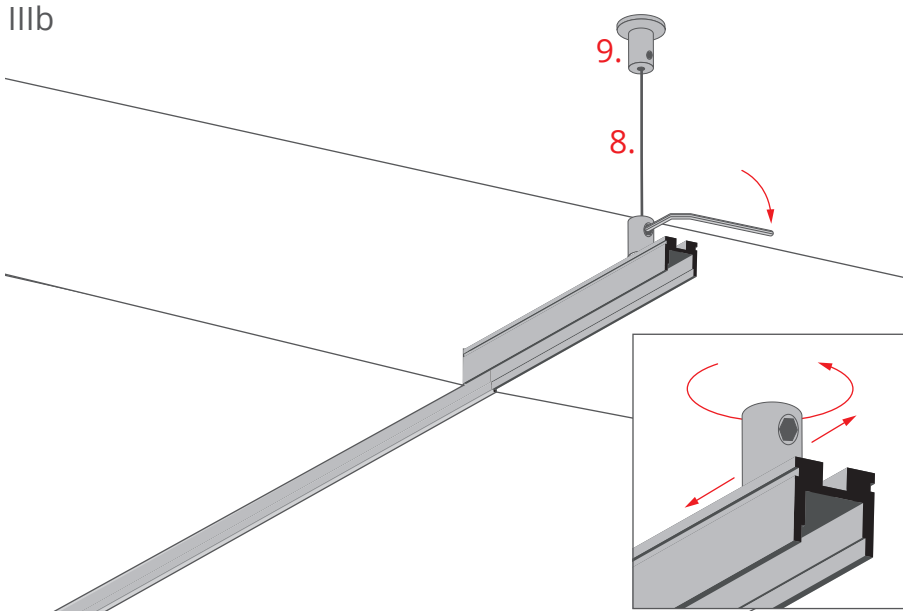
Put the PIKO-ZM profile (6) with the back channel onto the protruding part of the connector. Then tighten the connector bolts with an Allen wrench.

IIb



Insert the fastener (7) into the channel on the back of the profile.

IIIb

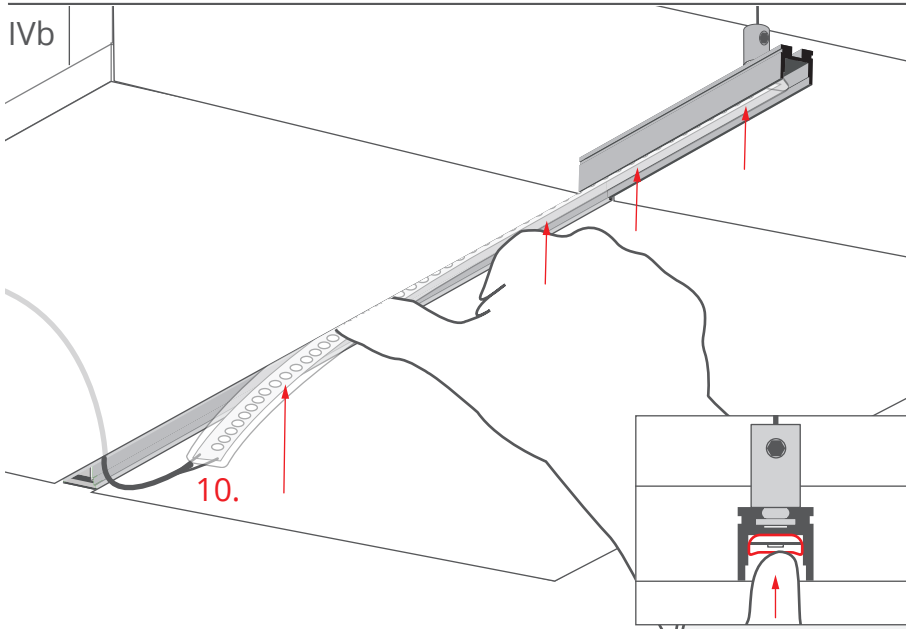


Connect the ceiling fastener (9) and the fastener in the lighting fixture with the steel wire (8).

(More information on suspension systems is available at www.KlusDesign.pl).

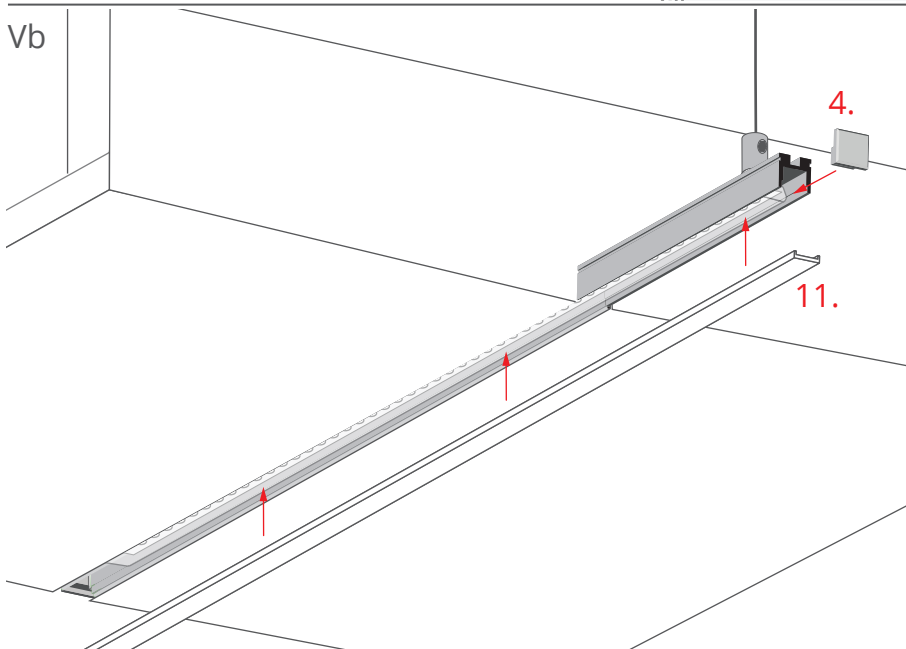
KOZEL-10 and PIKO-ZM - mounting instructions

b) Installation of the PIKO-ZM extrusion as an extension of the lighting fixture



Connect the power cable of the LED tape with the cable coming from the power supply.

Insert the LED tape in the 5-KLIK sleeve (10) into the lighting fixture. The sleeve will automatically lock inside the profile.



Insert the end cap (4) and the cover (11).