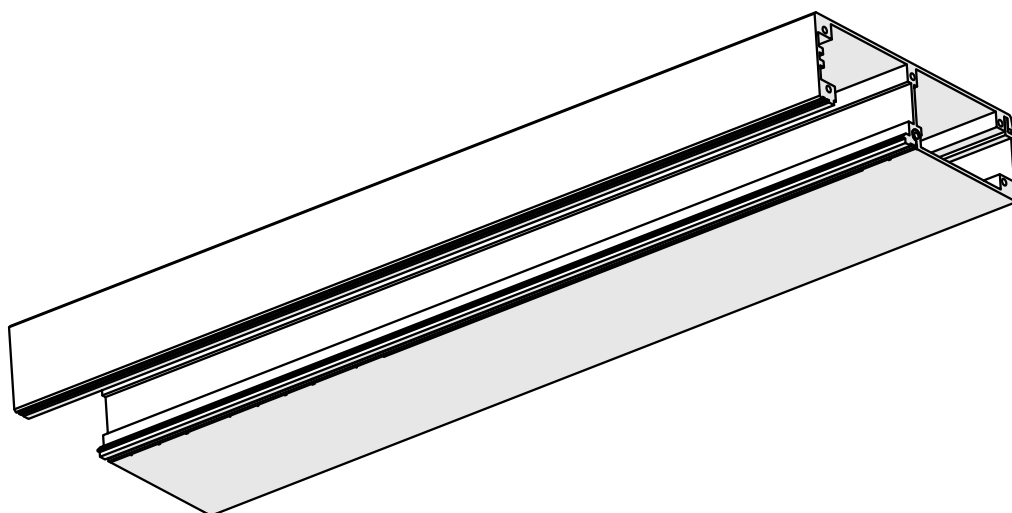
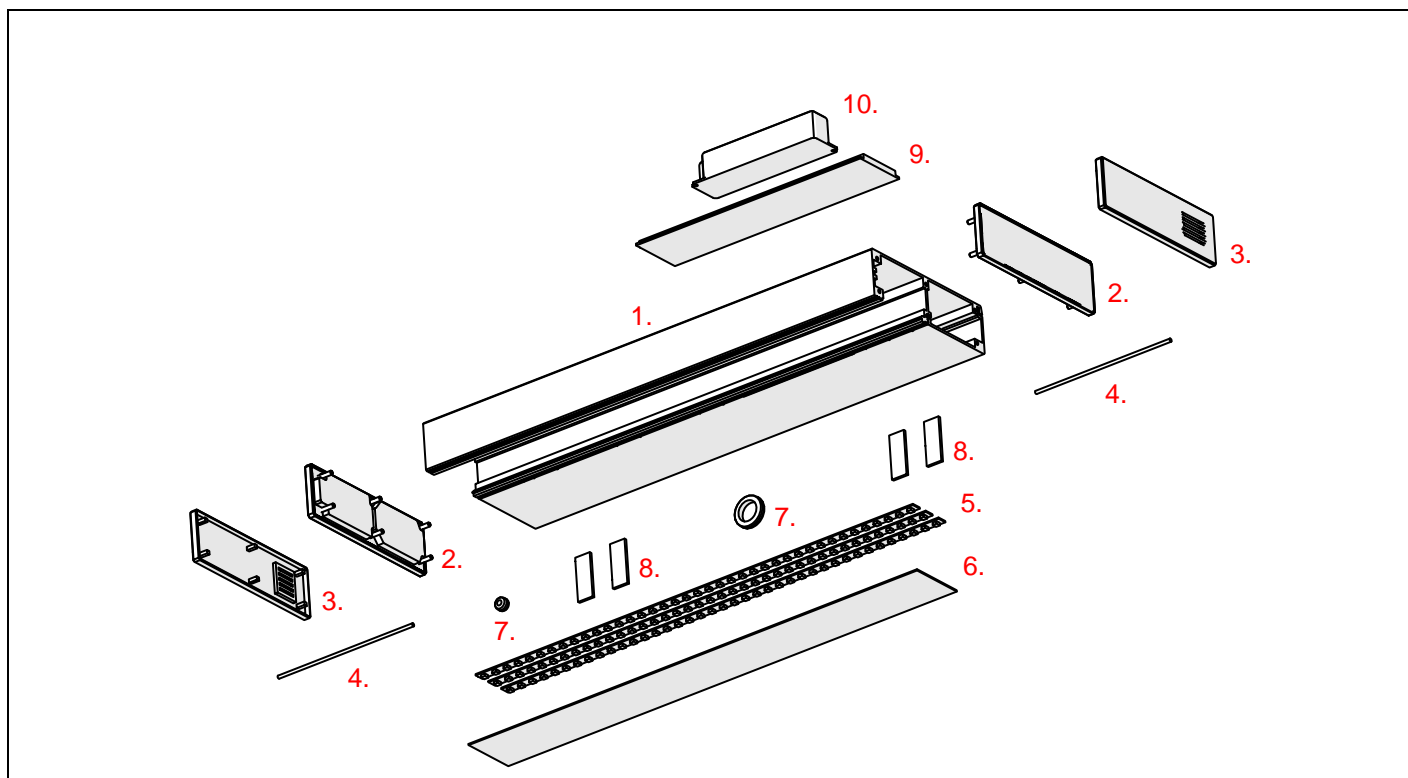
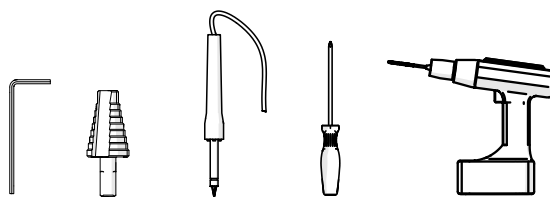
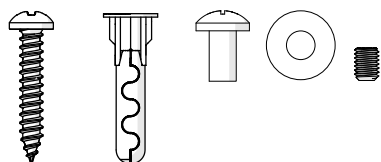


KIDES Profile





DOES NOT INCLUDE

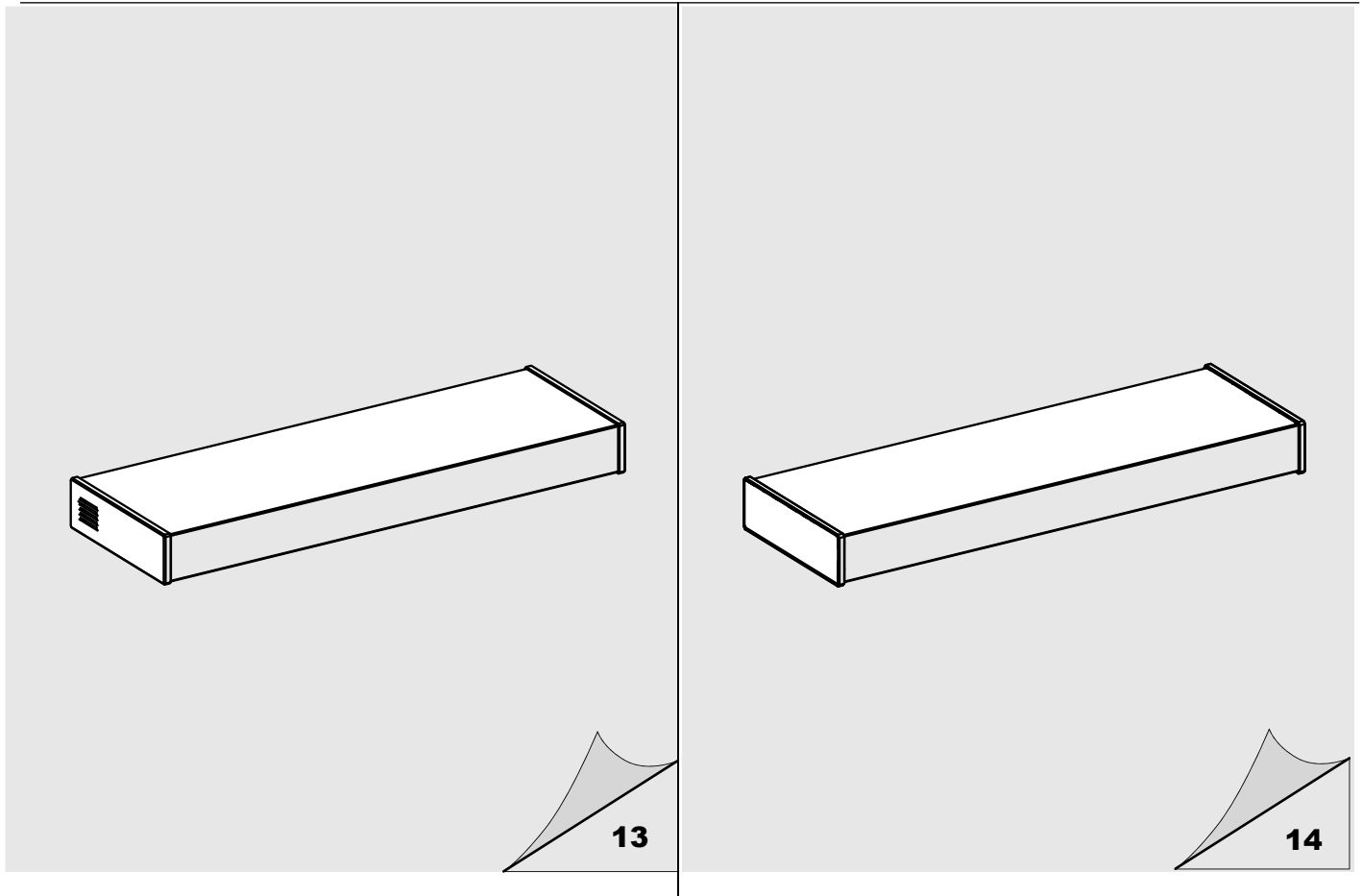


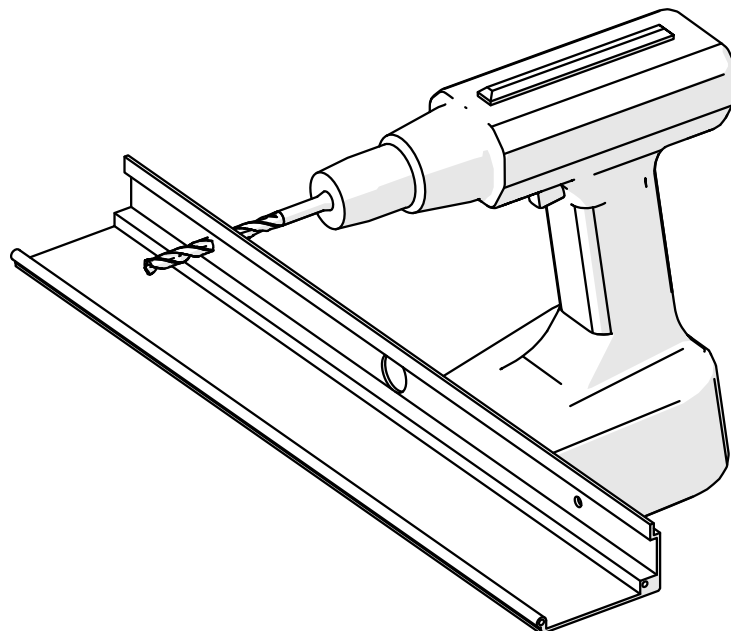
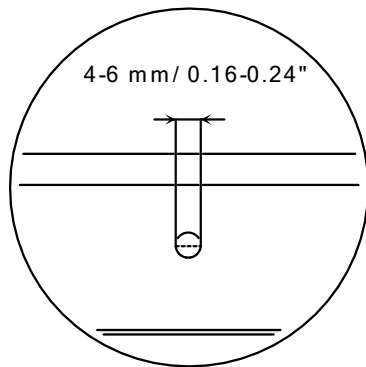
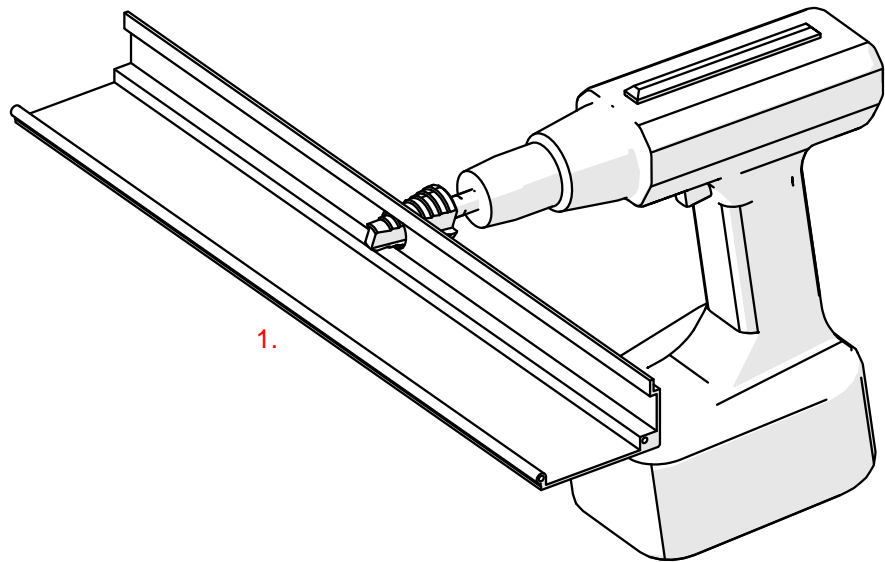
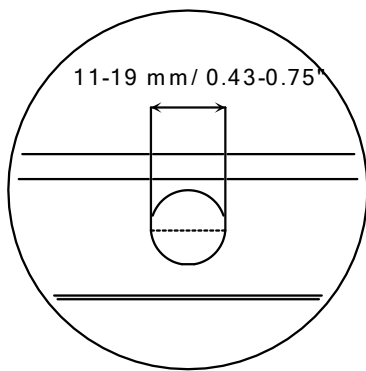
- 1. KIDES Profile (Ref. A18031)
- 2. End cap KIDES (Ref. C28210A01)
- 3. End cap KIDESIN (Ref. C24152L01)
- 4. Plastic rod dia. 2,4 mm
- 5. LED tape*
- 6. Cover*
- 7. Gland*
- 8. Spacers
- 9. Mounting pad*
- 10. Power supply*

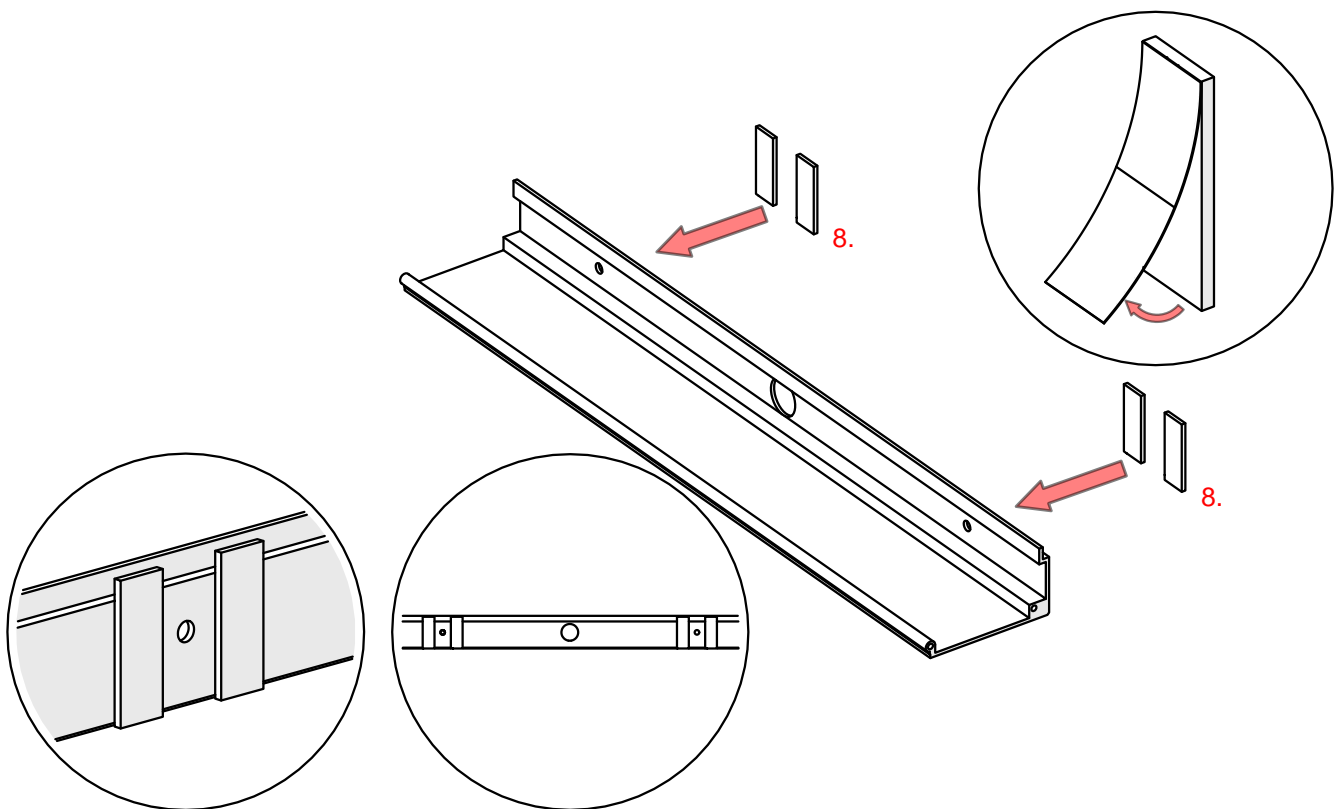
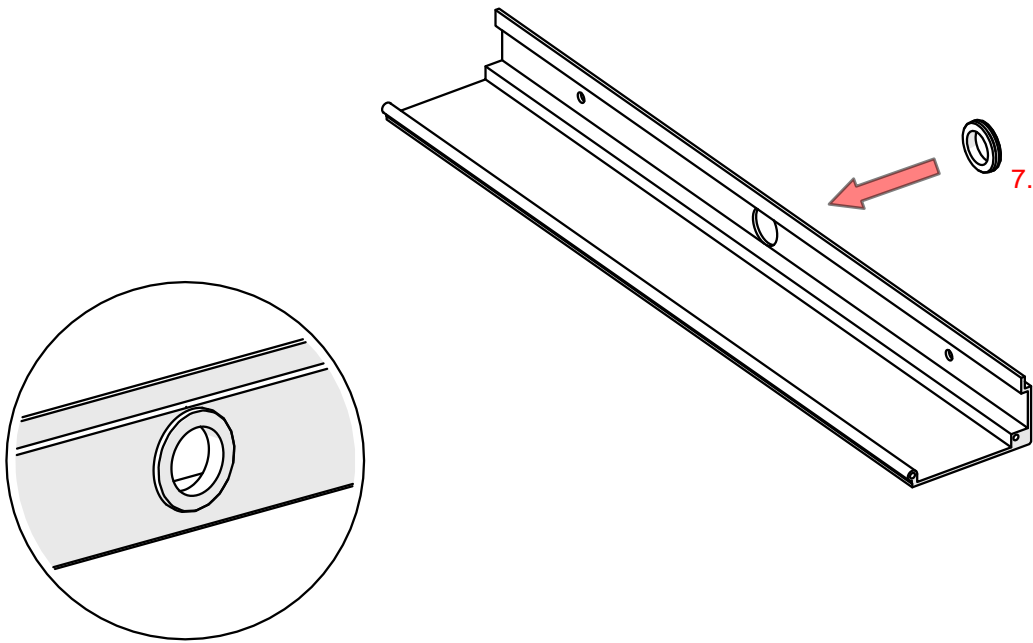
* The full range of accessories and electronics is available at www.KlusDesign.com

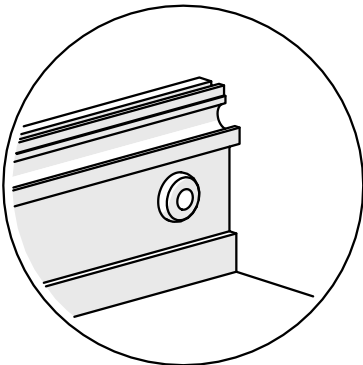
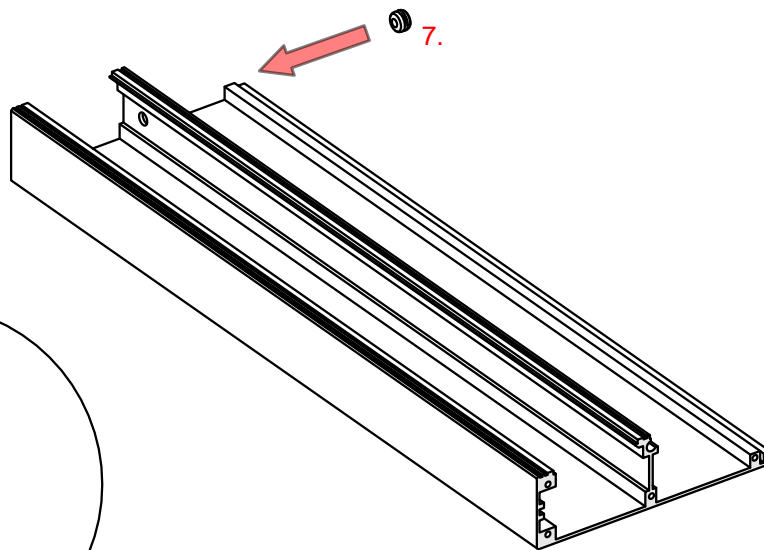
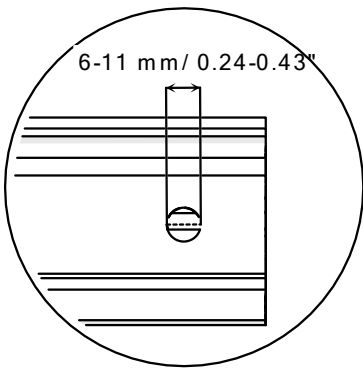
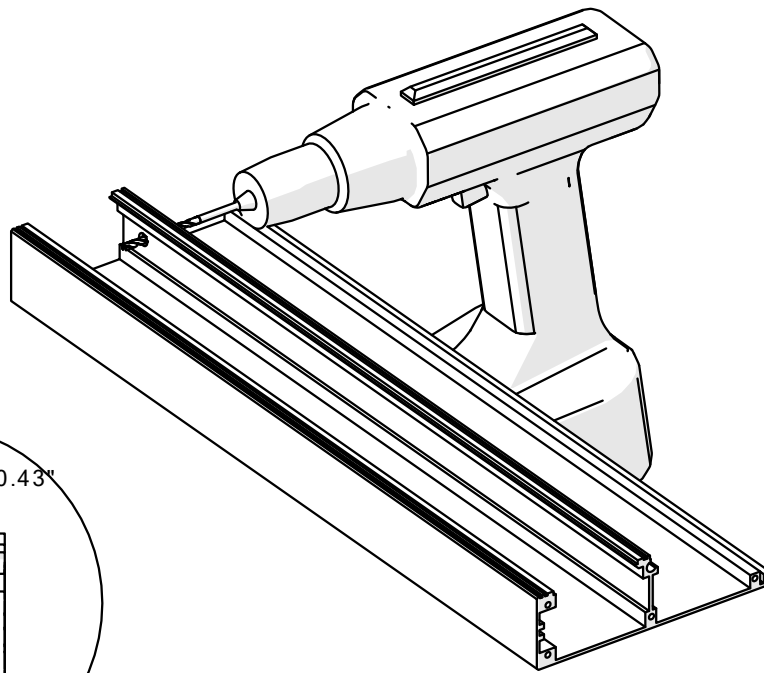
NOTE! ! All LED tapes must be connected to a 24V DC power supply.

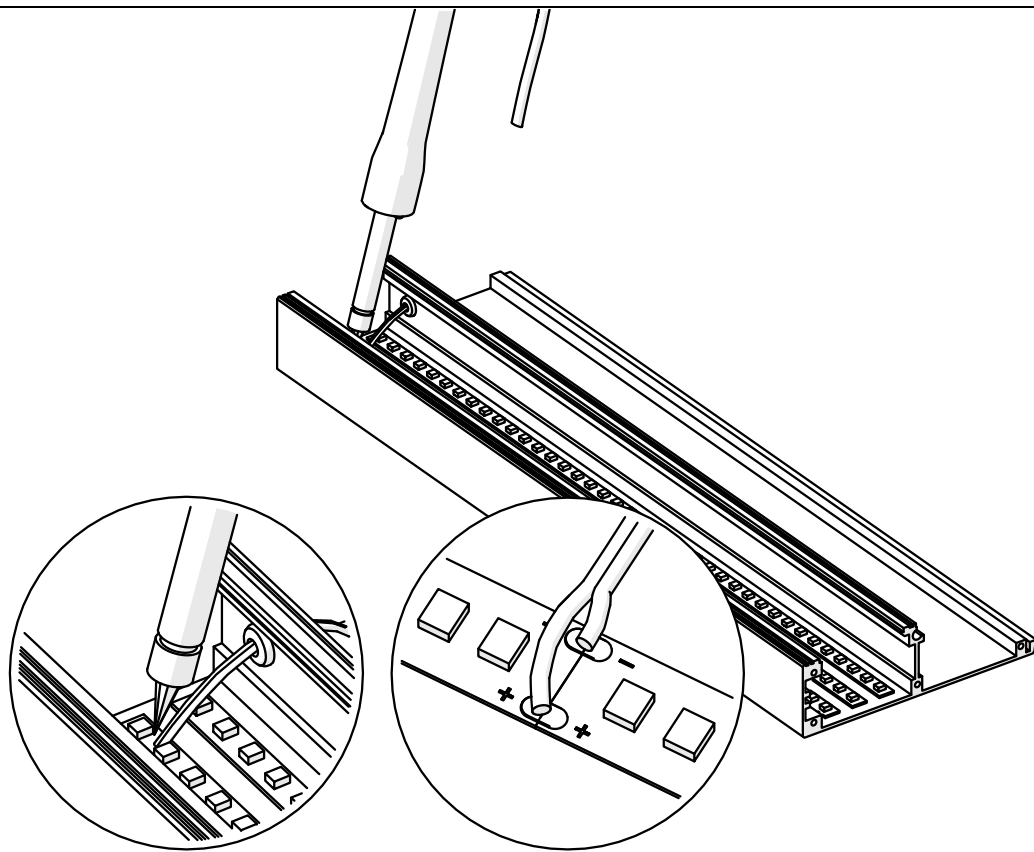
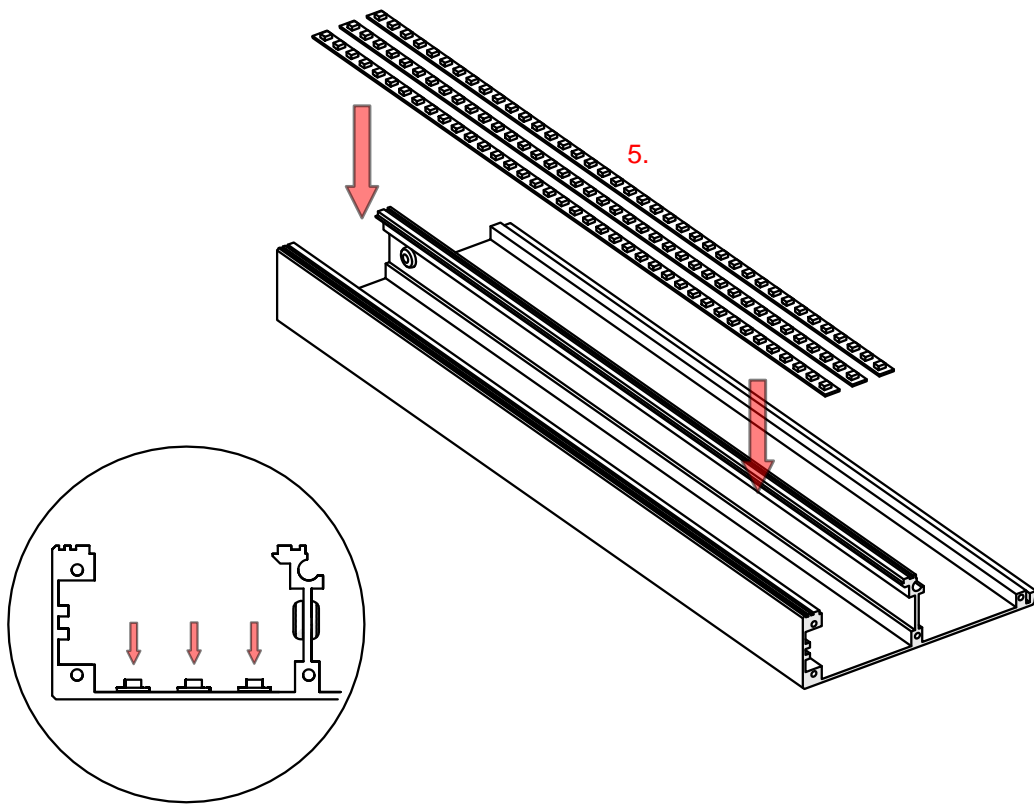
IMPORTANT: Not all possible mounting procedures are presented here. More mounting procedures and related accessories can be found at www.KlusDesign.com. Drawings in these instructions are simplified and only approximate the actual shapes.

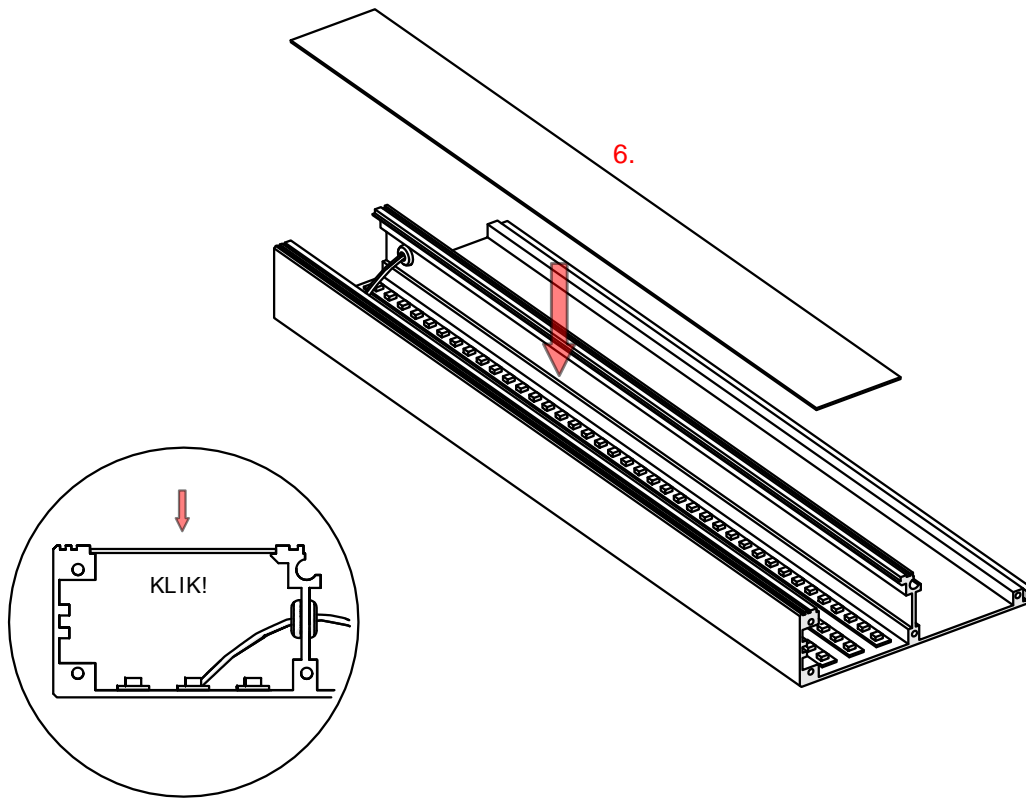












220-240V AC
50/60Hz

