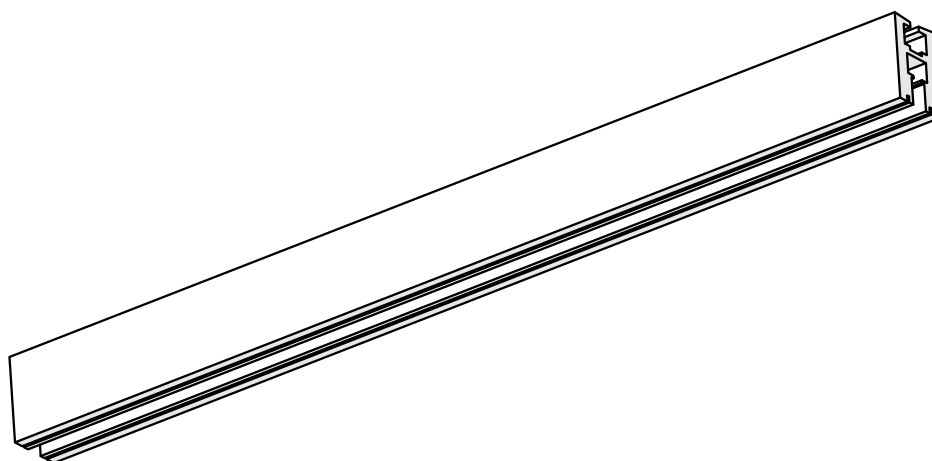
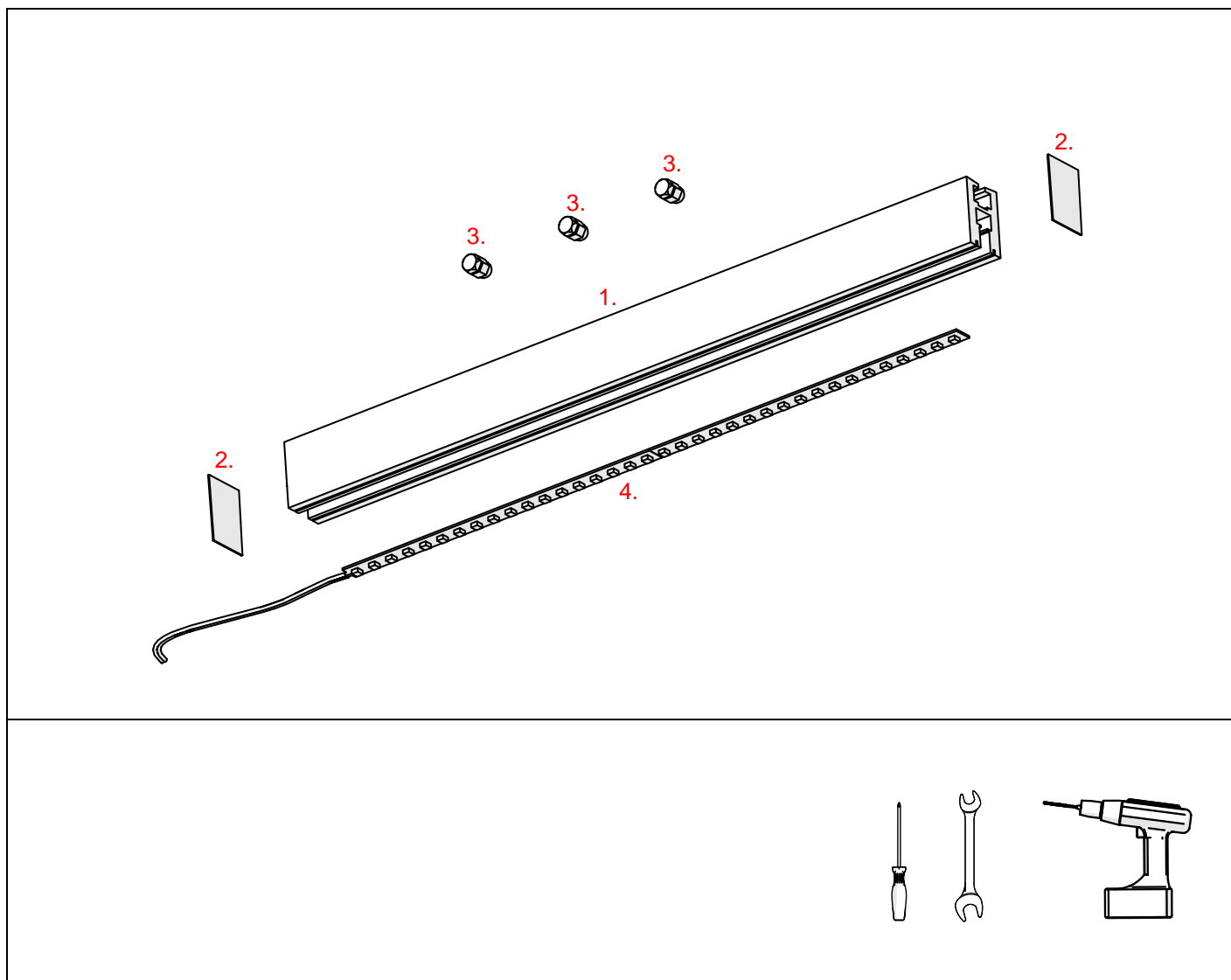


EX-ALU Profile





- 1. EX-ALU Profile (Ref. A18043)
- 2. End cap EX (Ref. C24437N00)
- 3. Expansion bolt (Ref. Z71383)
- 4. LED tape*

* The full range of accessories and electronics is available at www.KlusDesign.com

NOTE! ! All LED tapes must be connected to a 12 V or 24 V power supply.

IMPORTANT: Not all possible mounting procedures are presented here. More mounting procedures and related accessories can be found at www.KlusDesign.com. Drawings in these instructions are simplified and only approximate the actual shapes.

