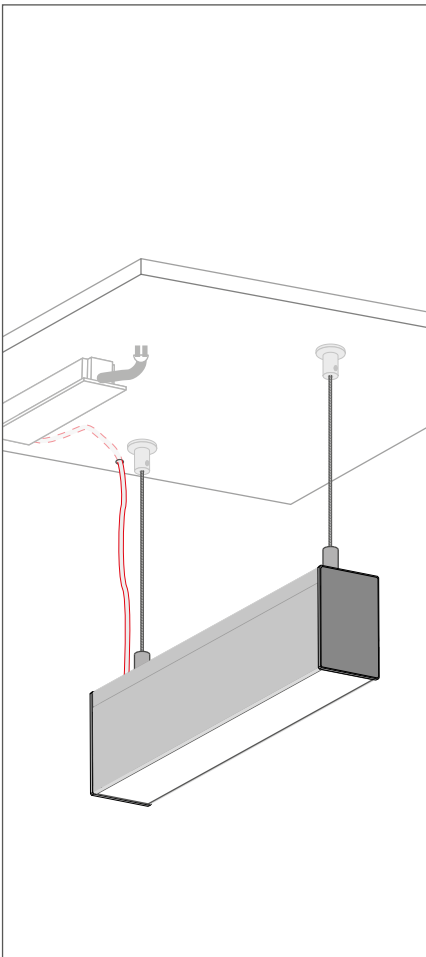
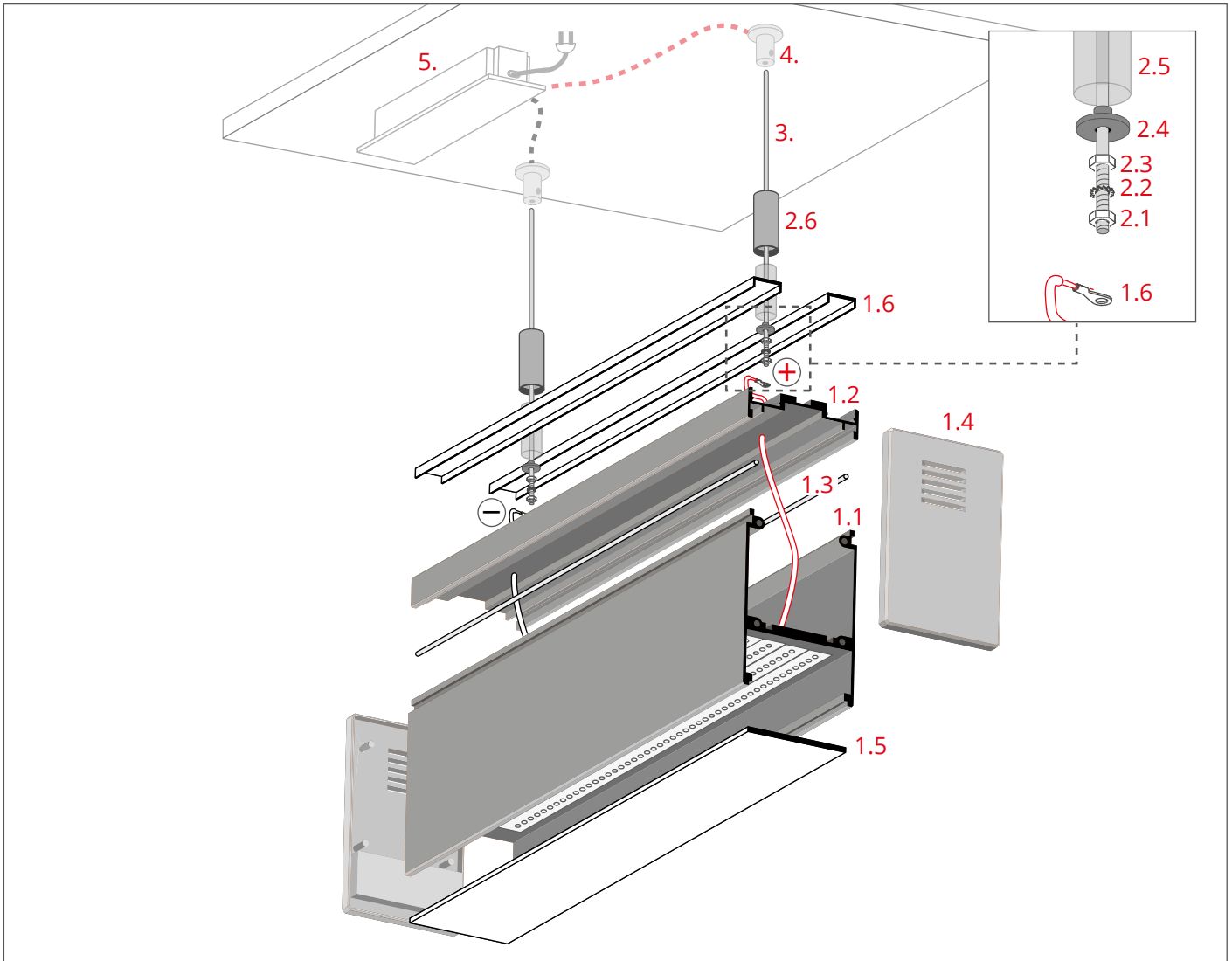


a) Suspension with rods, conductive fasteners and plastic end caps - p. 2



b) Suspension with wires, external power supply cable and end caps with gaskets - p. 5

a) Suspension with rods, conductive fasteners and plastic end caps



- | | | |
|---------------------|--------------------|------------------------------|
| 1.1 Inner extrusion | } Lighting fixture | 3. Threaded rod* |
| 1.2 Outer extrusion | | 4. Ceiling fastener* |
| 1.3 Plastic rod | | 5. Power supply 12 V / 24 V* |
| 1.4 End cap | | |
| 1.5 Cover | | |
| 1.6 Cover | } Fastener | |
| 1.7 Power connector | | |
| 2.1 Nut | | |
| 2.2 Washer | | |
| 2.3 Nut | | |
| 2.4 Head | | |
| 2.5 Sleeve | | |
| 2.6 Fastener body | | |

*The full range of accessories and electronics is available at www.KlusDesign.com

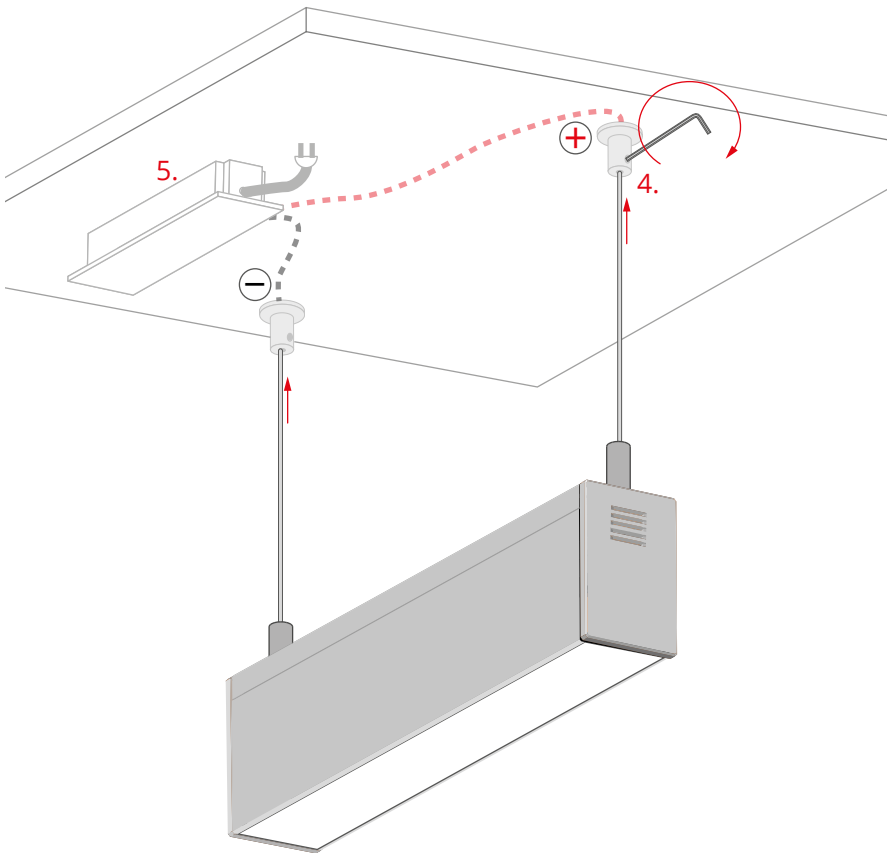
NOTE! All LED tapes must be connected to a 12 V or 24 V power supply.

IMPORTANT: Not all possible mounting procedures are presented here. More mounting procedures and related accessories can be found at www.KlusDesign.com. Drawings of extrusions and accessories in these instructions are simplified and only approximate the actual shapes.

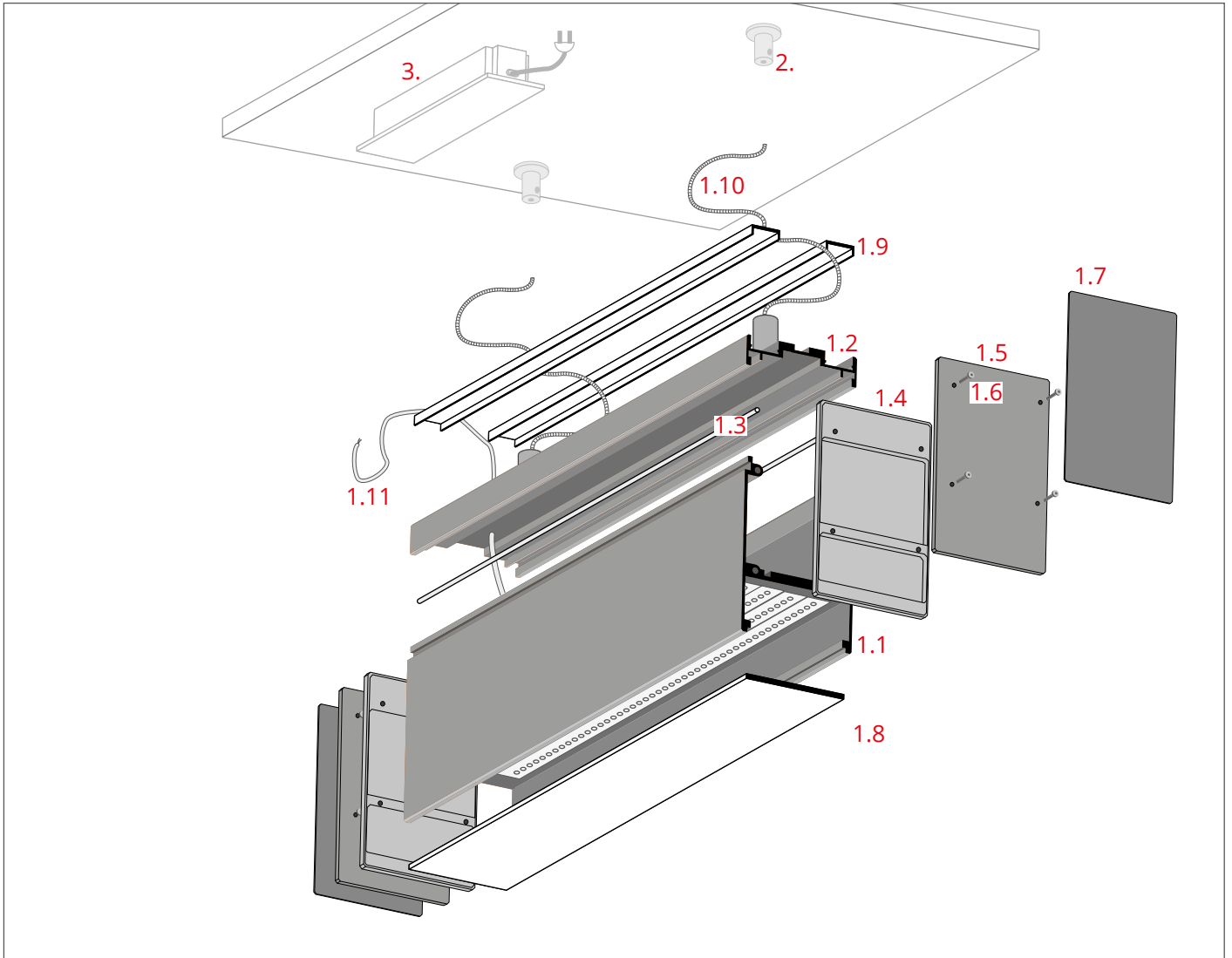
a) Suspension with rods, conductive fasteners and plastic end caps

IVa

Suspend the lighting fixture from the ceiling fasteners (4) which are connected to the power supply (12 V / 24 V) (5).



b) Suspension with wires, external power supply cable and end caps with gaskets



- 1.1 Inner extrusion
- 1.2 Outer extrusion
- 1.3 Plastic rod
- 1.4 End cap gasket
- 1.5 End cap pressure pad
- 1.6 End cap bolt
- 1.7 End cap masking cover
- 1.8 Cover
- 1.9 Cover
- 1.10 Steel wire
- 1.11 Cable
- 2. Ceiling fastener*
- 3. Power supply 12 V / 24 V*

Lighting fixture

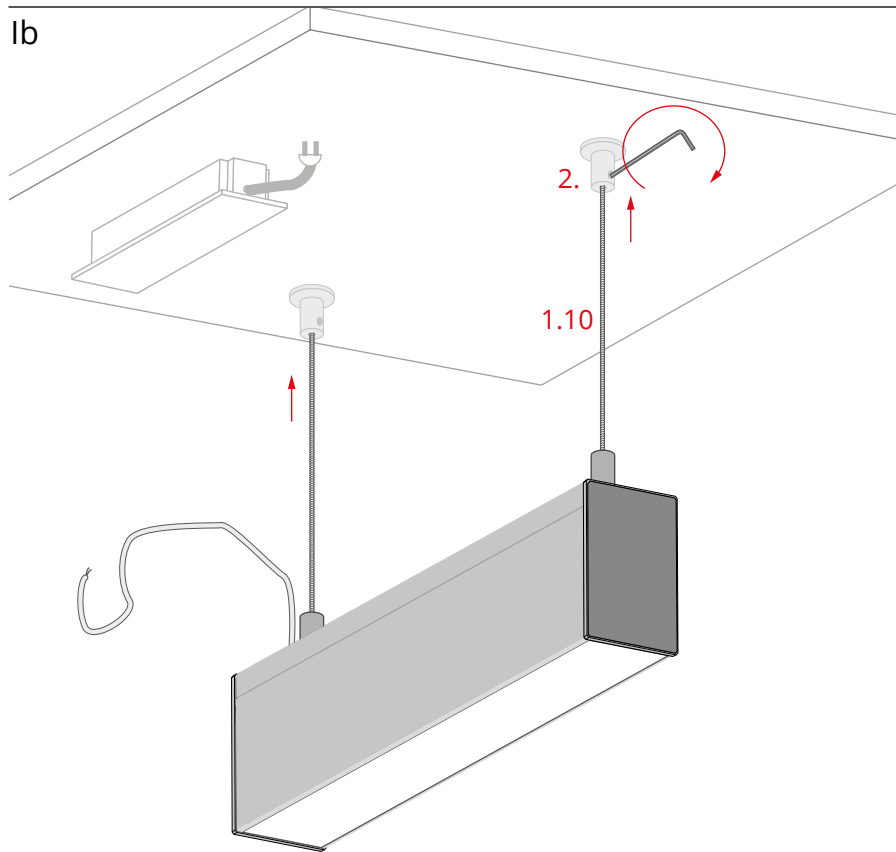
*The full range of accessories and electronics is available at www.KlusDesign.com

NOTE! All LED tapes must be connected to a 12 V or 24 V power supply.

IMPORTANT: Not all possible mounting procedures are presented here. More mounting procedures and related accessories can be found at www.KlusDesign.com. Drawings of extrusions and accessories in these instructions are simplified and only approximate the actual shapes.

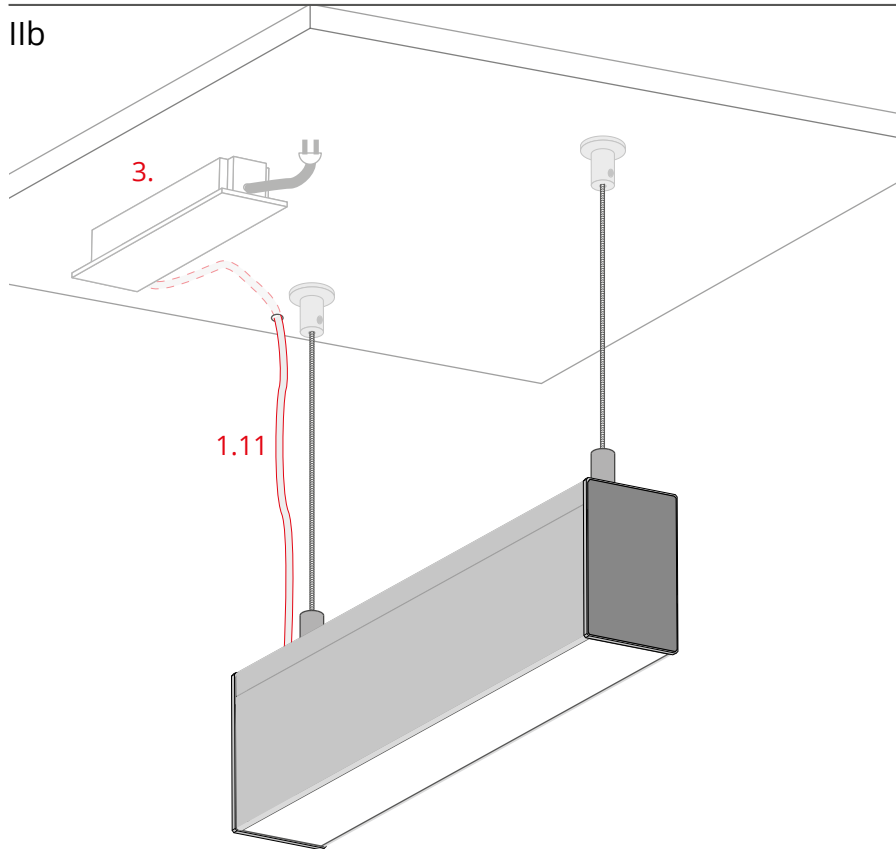
b) Suspension with wires, external power supply cable and end caps with gaskets

Ib



Suspend the fixture on ceiling fasteners (2), using steel wire (1.10).

IIb



Connect the cables from LED strips (1.11) to the power supply (3).