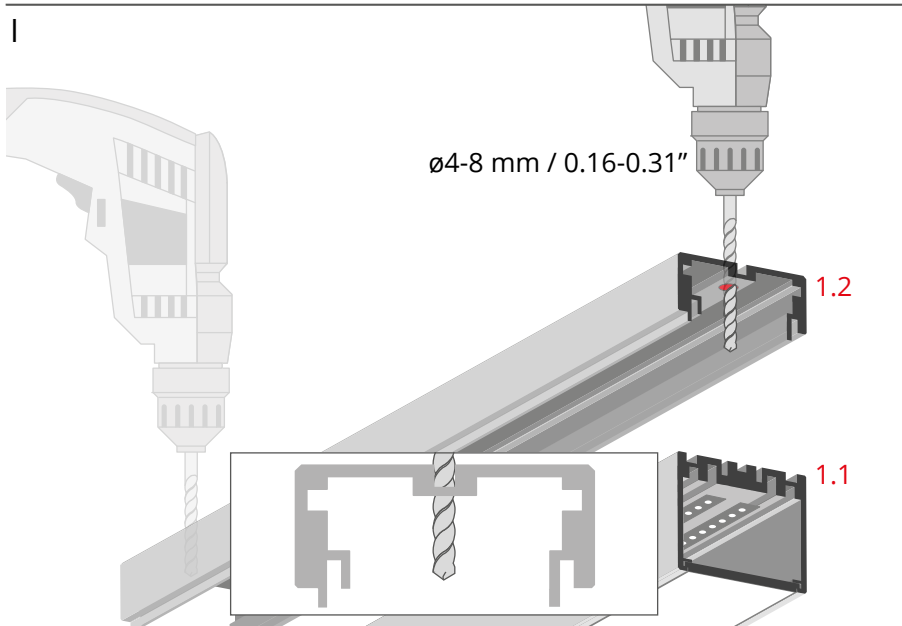
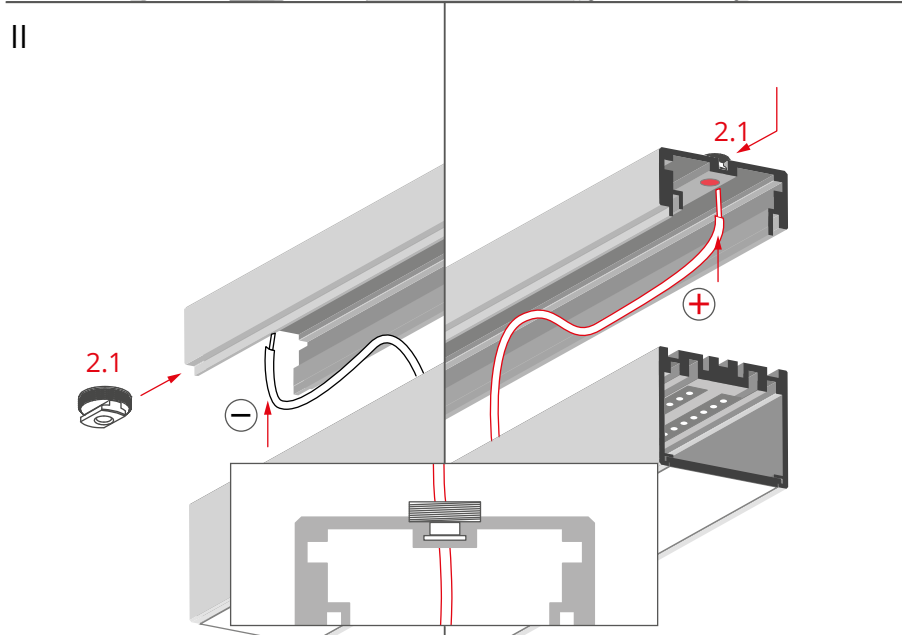
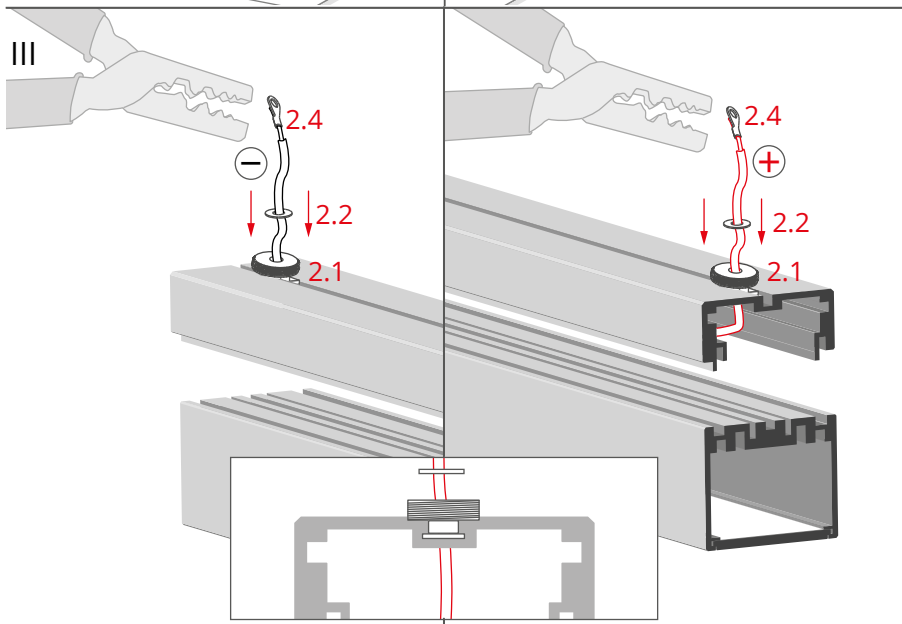


- 1.1 Profile with LED strip
  - 1.2 Mounting track
  - 2.1 Threaded plug
  - 2.2 Washer
  - 2.3 Nut
  - 2.4 Power connector
  - 2.5 Locking washer
  - 2.6 Nut
  - 2.7 Sleeve
  - 2.8 Head
  - 2.9 Fastener body
  - 3. Threaded rod\*
  - 4. Ceiling fastener\*
  - 5. Power supply (12 V / 24 V)\*
- Lighting fixture
- PUSZ-PRET-ZM silver (ref. 42276), black (ref. 42276L9005), white (ref. 42276L9010)

\*The full range of accessories and electronics is available at [www.KlusDesign.com](http://www.KlusDesign.com)

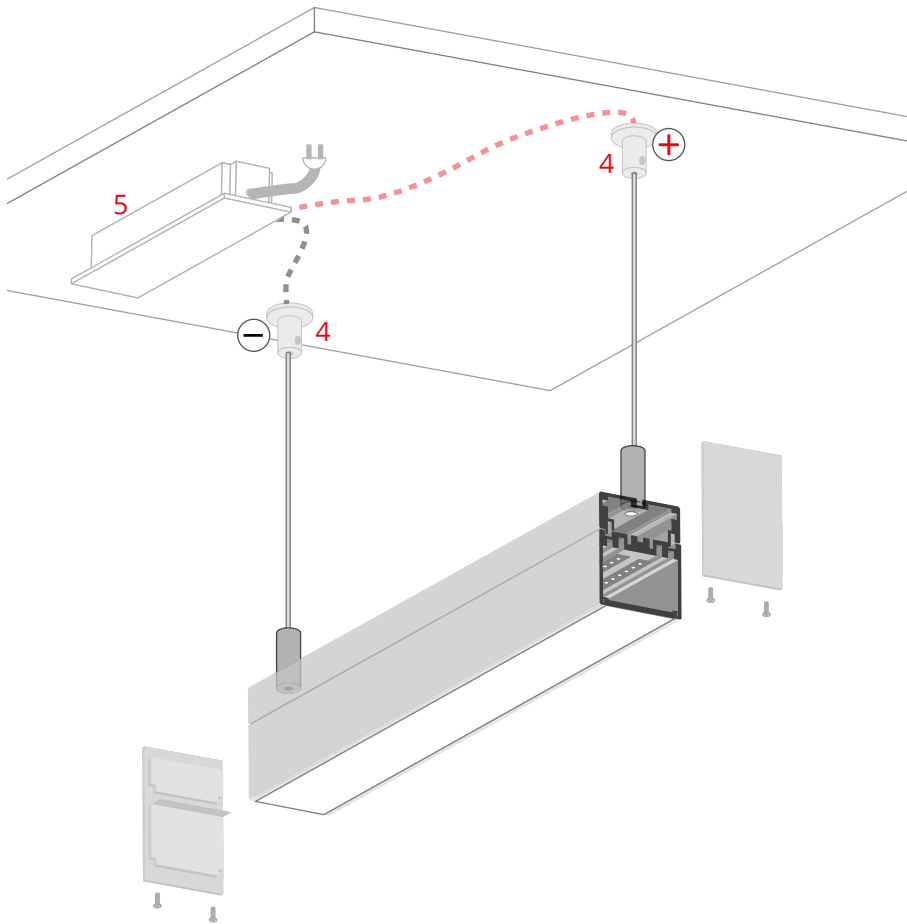
**NOTE!** All LED tapes must be connected to a 12 V or 24 V power supply.

**IMPORTANT:** Not all possible mounting procedures are presented here. More mounting procedures and related accessories can be found at [www.KlusDesign.com](http://www.KlusDesign.com). Drawings of extrusions and accessories in these instructions are simplified and only approximate the actual shapes.

<p>I</p>  <p>ø4-8 mm / 0.16-0.31"</p> <p>1.2</p> <p>1.1</p>	<p>Drill holes with a diameter of 4-8 mm / 0.16-0.31" in the back of the mounting track (1). One hole per fastener.</p>
<p>II</p>  <p>2.1</p> <p>+</p> <p>-</p>	<p>Set the threaded plug (2.1) in the groove on the top of the fixture and above the pre-drilled hole. Run a cable from one pole of a LED strip through the hole and the plug.</p>
<p>III</p>  <p>2.4</p> <p>-</p> <p>2.2</p> <p>2.1</p> <p>+</p> <p>2.4</p> <p>2.2</p> <p>2.1</p>	<p>Run the cable through the threaded plug (2.1), washer (2.2) and into the power connector (2.4). Squeeze the power connector with e.g. pliers to stop the cable from moving.</p> <p><b>NOTE:</b> In case of an external power cable, skip the power connector (2.4).</p>

<p>IV</p>	<p>Insert the sleeve (2.7) and the head (2.8) into the fastener body (2.9) and run the threaded rod (3) through it. Put nut (2.6), the locking washer (2.5), power connector (2.4), followed by nut (2.3) on the thread.</p> <p><b>NOTE:</b> In case of an external power cable, skip the sleeve (2.7).</p>
<p>V</p>	<p>Secure the power connector and the locking washer by tightening the nuts and bend the power connector so it fits into the sleeve.</p> <p><b>NOTE:</b> In case of an external power cable, skip the connector (2.4).</p>
<p>VI</p>	<p>Insert the entire assembly into the sleeve and tighten the the fastener body.</p>

VII



Suspend the lighting fixture from the ceiling fasteners (4) which are connected to the power supply (12 V / 24 V) (5).