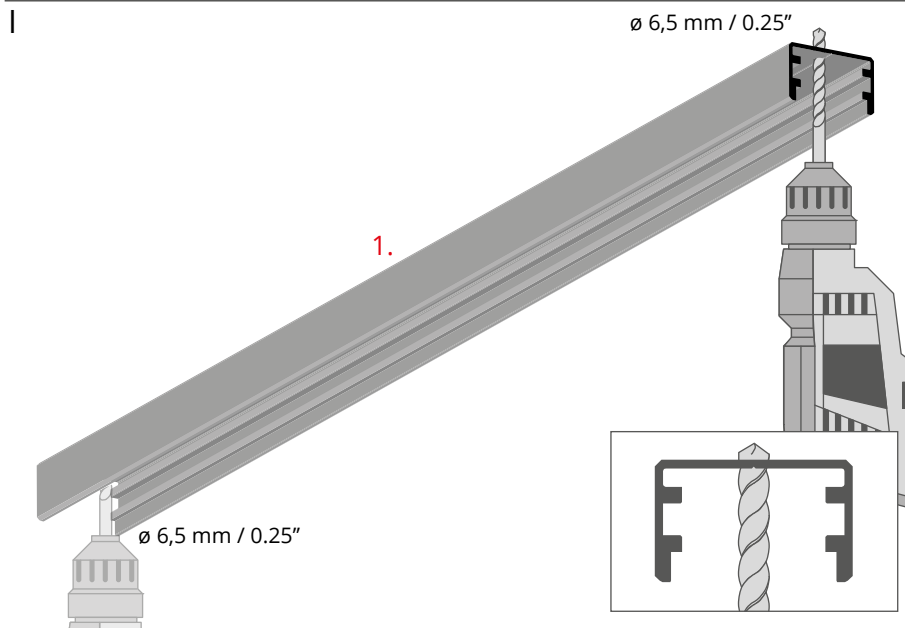


1. GLAZA-LL profile (Ref. C2627)
2. End cap*
3. LED tape*
4. Cover*
5. Fastener*
6. Steel cable with a conductive core*
7. Ceiling fastener*
8. Power supply (12 V / 24 V)*

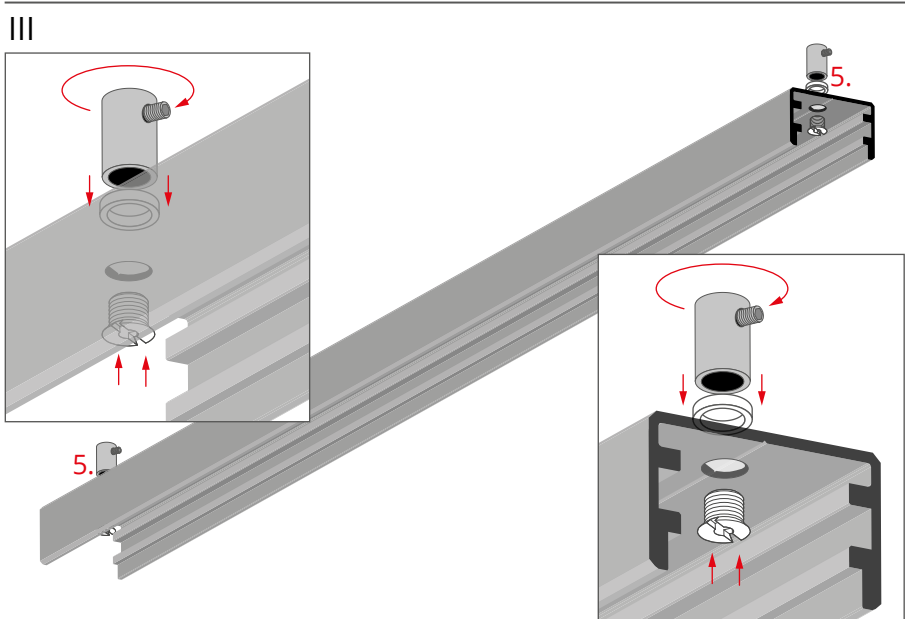
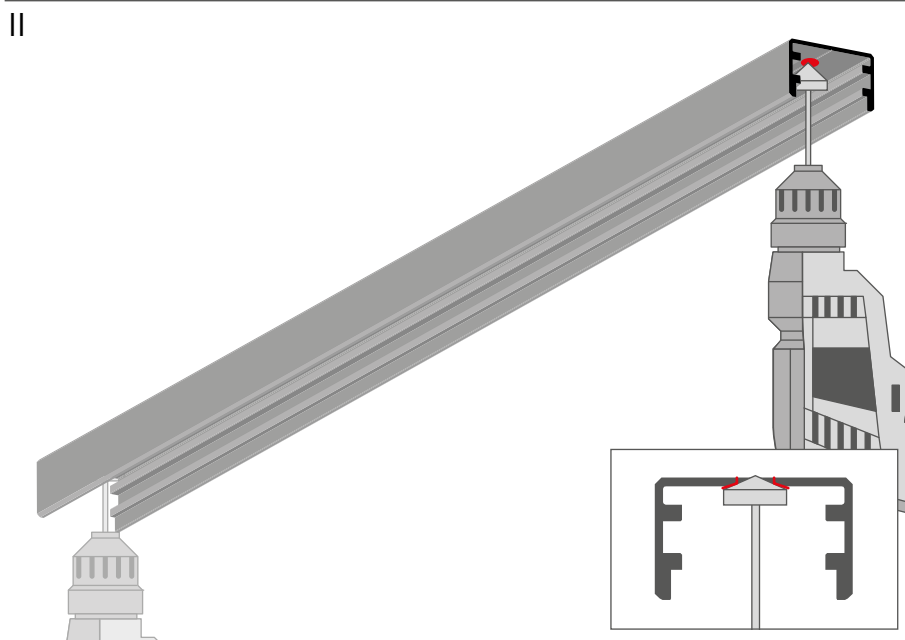
*The full range of accessories and electronics is available at www.KlusDesign.com

NOTE! All LED tapes must be connected to a 12 V or 24 V power supply.

IMPORTANT: Not all possible mounting procedures are presented here. More mounting procedures and related accessories can be found at www.KlusDesign.com. Drawings of extrusions and accessories in these instructions are simplified and only approximate the actual shapes.



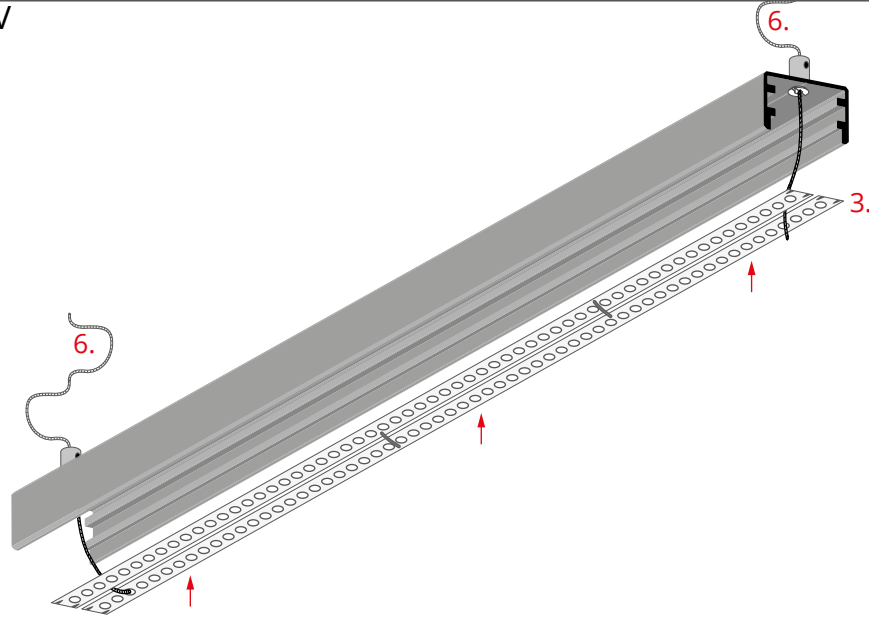
Drill holes in the profile (1) where the fasteners will be mounted.



Screw the fasteners (5) to the profile.

You will find more information on the suspension systems at www.KlusDesign.pl.

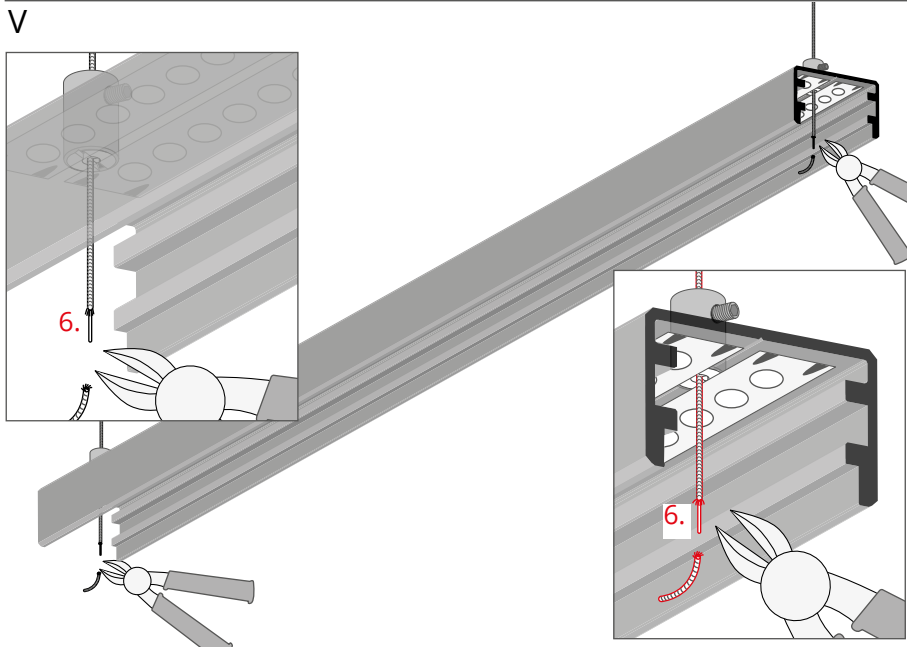
IV



Run the cables (6) through the fasteners into the profile.

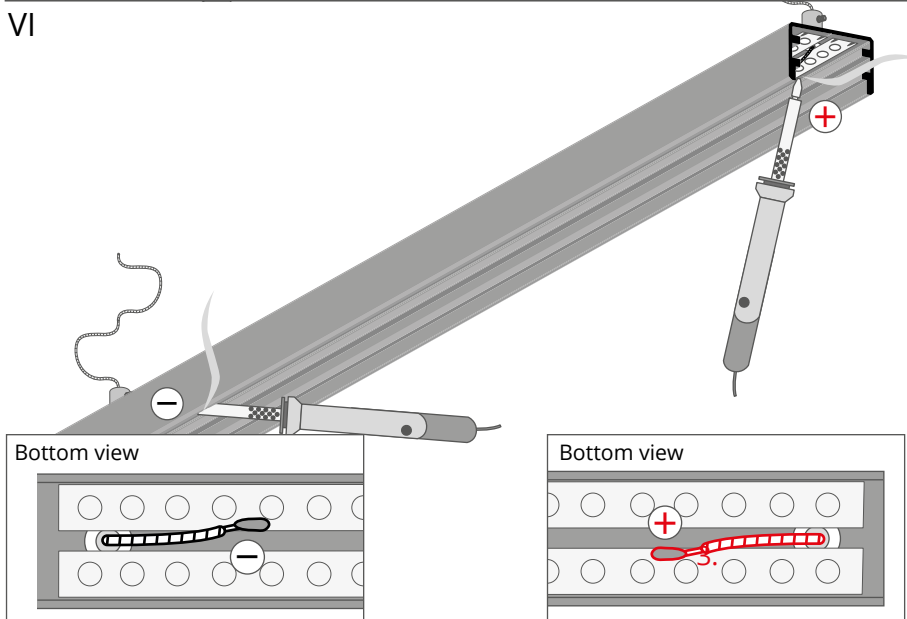
Adhere the LED tapes (3) in the profile so that the cables are between them.

V



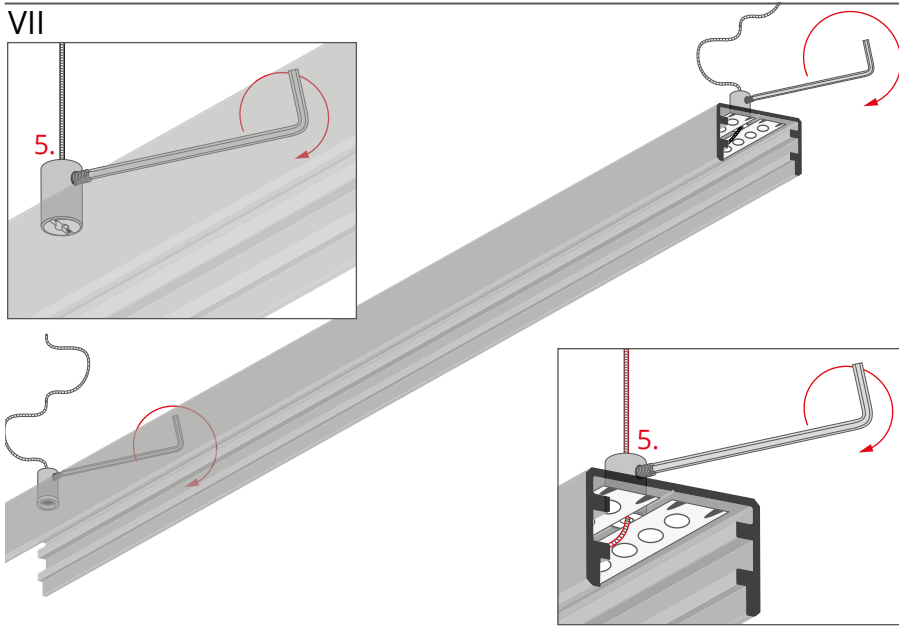
Expose the cable cores (6).

VI



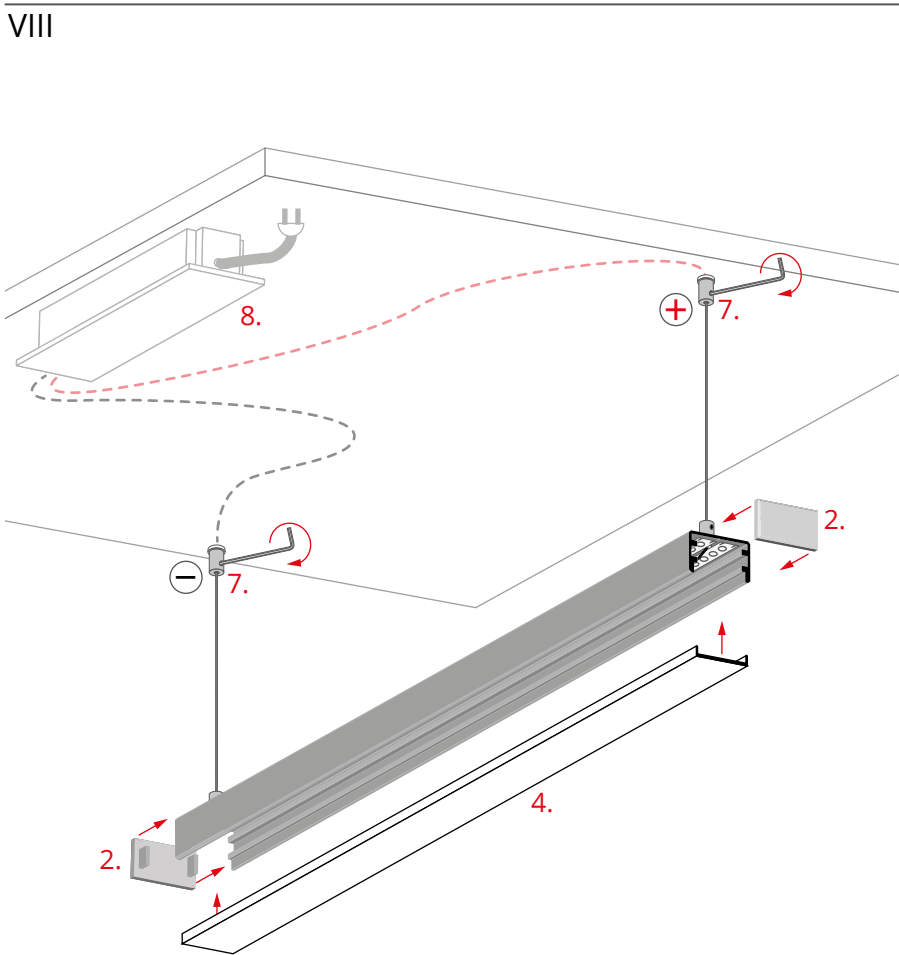
Solder the cable cores to the appropriate current poles.

VII



Lock the cables by tightening the pressure screws in the heads of the fasteners (5).

VIII



Mount the cover (4) and the end caps (2). Suspend the profile on the ceiling fasteners (7). Connect the 12 V / 24 V power supply (8) to the ceiling fasteners.