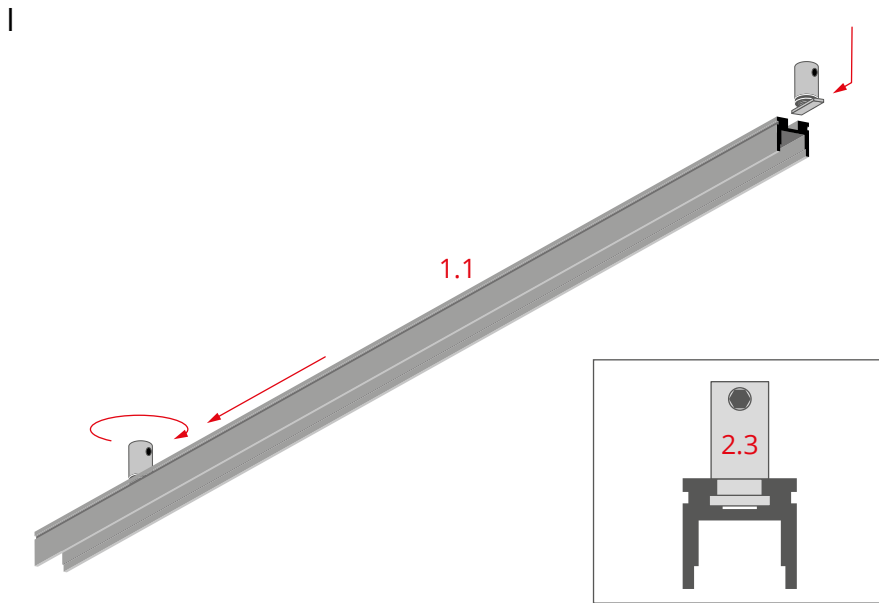


- 1.1 Profile
 - 1.2 End cap
 - 1.3 LED tape
 - 1.4 Cover
 - 1.5 Gland
 - 2.1 Threaded mount lock
 - 2.2 Head
 - 2.3 Pressure screw
 - 3. Steel cable*
 - 4. Ceiling fastener*
 - 5. Power supply (12 V / 24 V)*
- Lighting fixture
- FI-8-LIN-ZM silver (ref. 42285), black (ref. 42285L9005), white (ref. 42285L9010)

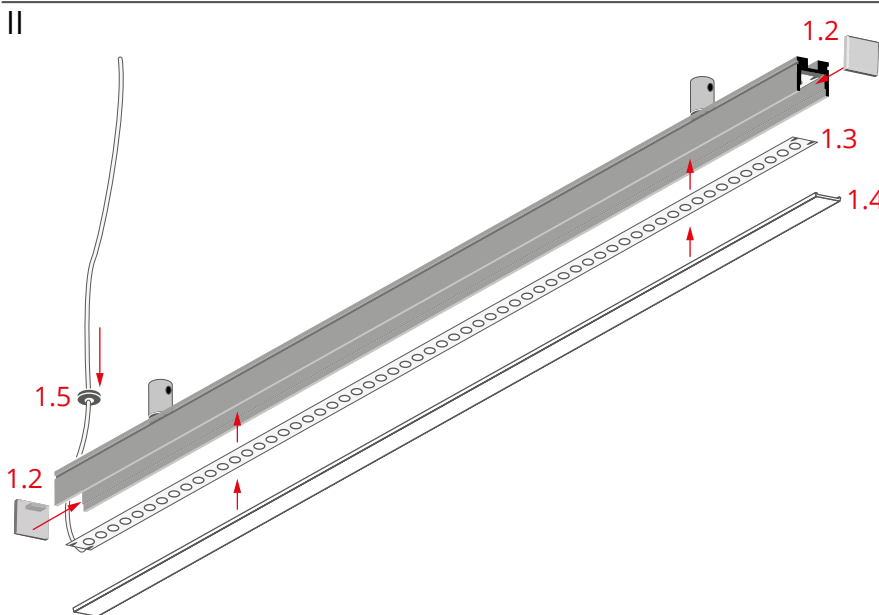
*The full range of accessories and electronics is available at www.KlusDesign.com

NOTE! All LED tapes must be connected to a 12 V or 24 V power supply.

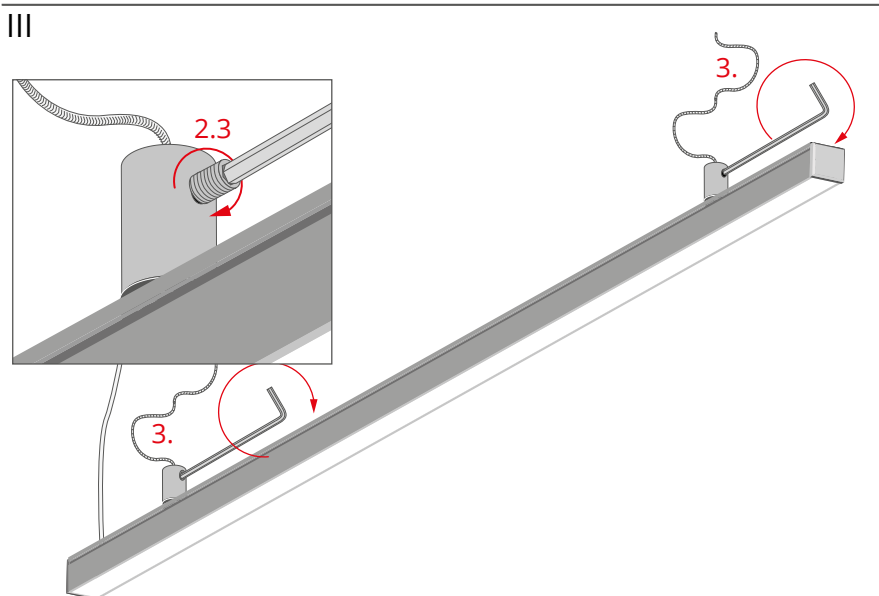
IMPORTANT: Not all possible mounting procedures are presented here. More mounting procedures and related accessories can be found at www.KlusDesign.com. Drawings of extrusions and accessories in these instructions are simplified and only approximate the actual shapes.



Insert the fasteners into the channel on the back of the profile and lock them by tightening the heads (2.3).

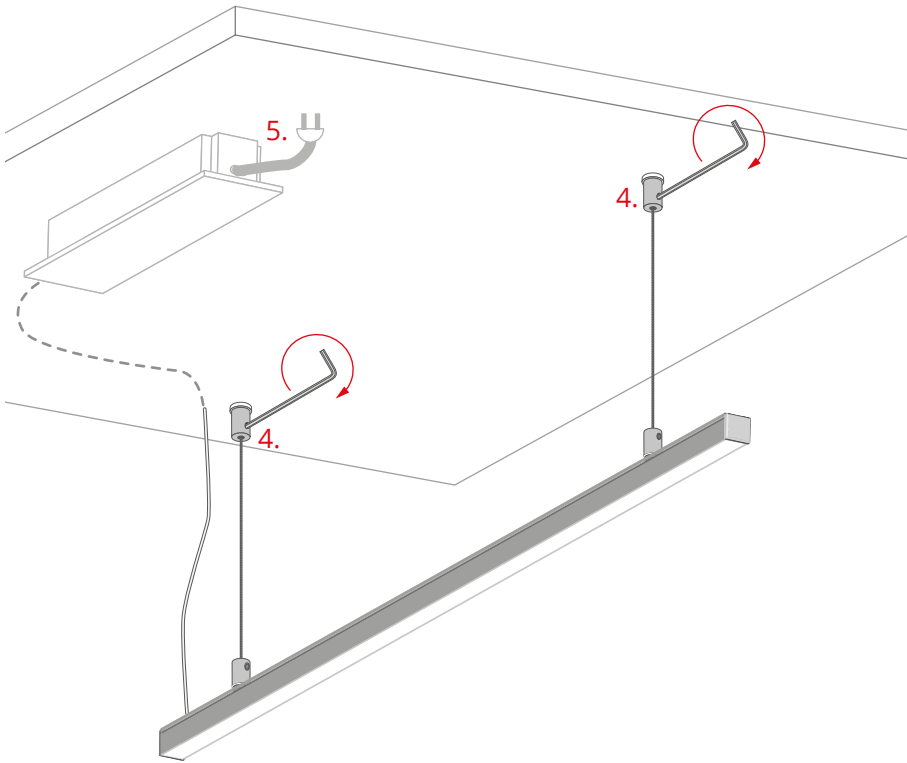


Mount the gland (1.5), in the profile, adhere the LED tape (1.3), and attach the end caps (1.2) and the cover (1.4).



Insert the cables (3) into the heads and lock them by tightening the pressure screws (2.3).

IV



Suspend the lighting fixture from the ceiling fasteners (4) and connect the cable to the 12 V / 24 V power supply (5).