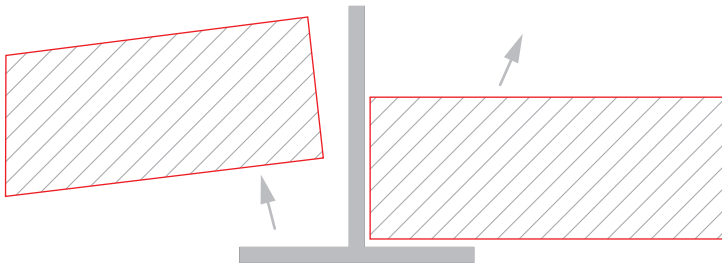


Elements necessary for mounting:

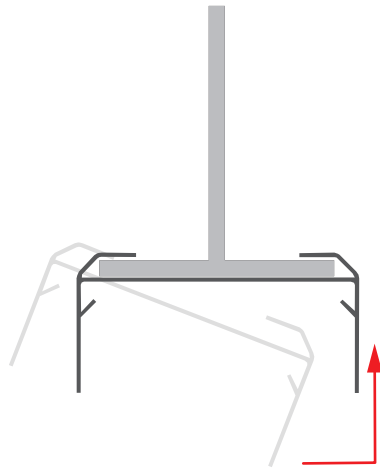
- flat head screwdriver to bend back the mounting bracket

ATTENTION! A list of products corresponding with the selected accessories is available at klusdesign.com.

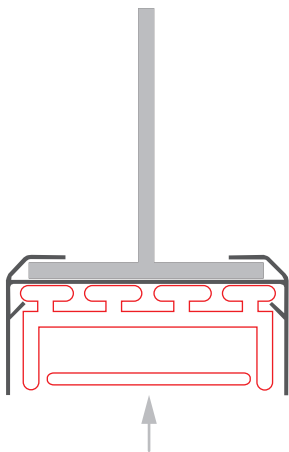
1. Remove the suspended ceiling panels that are mounted to the aluminum ribs on which you will mount the fixture.



2. Put the bracket on the ribs.



3. Snap the lighting fixture in the bracket.



4. Re-mount the suspended ceiling panels.

